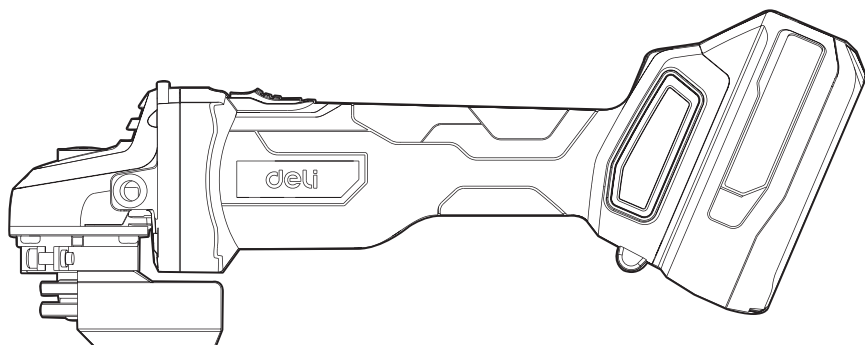


deli

DE-JM20-1 DE-JM20-2 DE-JM20-3



EN Lithium-Ion Angle Grinder
DE Winkelschleifer mit Lithiumbatterie
FR Meuleuse d'angle au lithium-ion
ES Pulidor angular eléctrica de litio

PT Esmerilhadeira angular com bateria de íon-lítio
RU Угловая шлифовальная машина с литиевым аккумулятором
AR مطحنة زاوية ببطارية الليثيوم

Specifications

Model	DE-JM20-1 DE-JM20-1X ...	DE-JM20-2 DE-JM20-2X ...	DE-JM20-3 DE-JM20-3X ...
Rated voltage	20V		
Disc size	100 mm	125 mm	115 mm
Spindle thread	M10	M14	
No-load speed	0-3500/6000/10000/min		
Machine weight(bare tool)	1.18 kg	1.2 kg	

X=A2, A4, D2, D4..., there are only used for different customers, there are no safe relevant changes between these models.













The initial battery capacity can be up to 20.8V, and the value under normal use is 18V.

Warning! Please only use the listed battery packs and chargers. Using other types of battery packs or chargers may cause personal injury and/or fire.

It is recommended to select the accessories from the store where you purchased your power tool. Please select the correct accessories for your job. Please refer to the accessories package for more usage and help.

Battery pack	DE-DC20A2	2.0Ah
	DE-DC20A3	2.5Ah
	DE-DC20A4	4.0Ah
	DE-DC20A5	5.0Ah
	DE-DC20A6	6.0Ah
	DE-DC20B8	8.0Ah
Charger	DE-CD20A2E	2A Single charge
	DE-CD20D4E	4A Dual charge
	DE-CD20A8E	8A Single charge

Symbols

 Read the instruction manual	 Warning sign	 Please wear protective glasses	 Do not put it into the water
 Please wear protective earmuffs	 Please wear safety glasses	 Please wear protective mask	 Do not put it into the fire
 Please remove the battery pack before replacing accessories	 Li-Ion Batteries contain lithium ion. To protect the environment, the discarded batteries should be sorted and recycled, and should not be thrown into the trash can.		
 customs union certificate	 Li-Ion		

Original Instructions

General power tool safety warnings

WARNING Read all safety warnings, instructions, illustrations and specifications provided with this power tool. Failure to follow all instructions listed below may result in electric shock, fire and/or serious injury.

Save all warnings and instructions for future reference. The term "power tool" in the warnings refers to your mains-operated (corded) power tool or battery-operated (cordless) power tool.

Work area safety

1. **Keep work area clean and well lit.** Cluttered or dark areas invite accidents.
2. **Do not operate power tools in explosive atmospheres, such as in the presence of flammable liquids, gases or dust.** Power tools create sparks which may ignite the dust/fumes.
3. **Keep children and bystanders away while operating a power tool.** Distractions can cause you to lose control.

Electrical safety

1. **Power tool plugs must match the outlet. Never modify the plug in any way. Do not use any adapter plugs with earthed (grounded) power tools.** Unmodified plugs and matching outlets will reduce risk of electric shock.
2. **Avoid body contact with earthed or grounded surfaces, such as pipes, radiators, ranges and refrigerators.** There is an increased risk of electric shock if your body is earthed or grounded.
3. **Do not expose power tools to rain or wet conditions.** Water entering a power tool will increase the risk of electric shock.
4. **Do not abuse the cord. Never use the cord for carrying, pulling or unplugging the power tool. Keep cord away from heat, oil, sharp edges or moving parts.** Damaged or entangled cords increase the risk of electric shock.
5. **When operating a power tool outdoors, use an extension cord suitable for outdoor use.** Use of a cord suitable for outdoor use reduces the risk of electric shock.
6. **If operating a power tool in a damp location is unavoidable, use a residual current device (RCD) protected supply.** Use of an RCD reduces the risk of electric shock.

Personal safety

1. **Stay alert, watch what you are doing and use common sense when operating a power tool. Do not use a power tool while you are tired or under the influence of drugs, alcohol or medication.** A moment of inattention while operating power tools may result in serious personal injury.
2. **Use personal protective equipment. Always wear eye protection.** Protective equipment such as a dust mask, non-skid safety shoes, hard hat or hearing protection used for appropriate conditions will reduce personal injuries.
3. **Prevent unintentional starting. Ensure the switch is in the off-position before connecting to power source and/or battery pack, picking up or carrying the tool.** Carrying power tools with your finger on the switch or energising power tools that have the switch on invites accidents.
4. **Remove any adjusting key or wrench before turning the power tool on.** A wrench or a key left attached to a rotating part of the power tool may result in personal injury.
5. **Do not overreach. Keep proper footing and balance at all times.** This enables better control of the power tool in unexpected situations.
6. **Dress properly. Do not wear loose clothing or jewellery. Keep your hair and clothing away from moving parts.** Loose clothes, jewellery or long hair can be caught in moving parts.
7. **If devices are provided for the connection of dust extraction and collection facilities, ensure these are connected and properly used.** Use of dust collection can reduce dust-related hazards.
8. **Do not let familiarity gained from frequent use of tools allow you to become complacent and ignore tool safety principles.** A careless action can cause severe injury within a fraction of a second.

Power tool use and care

1. **Do not force the power tool. Use the correct power tool for your application.** The correct power tool will do the job better and safer at the rate for which it was designed.
2. **Do not use the power tool if the switch does not turn it on and off.** Any power tool that cannot be controlled with the switch is dangerous and must be repaired.

3. **Disconnect the plug from the power source and/or remove the battery pack, if detachable, from the power tool before making any adjustments, changing accessories, or storing power tools.** Such preventive safety measures reduce the risk of starting the power tool accidentally.
4. **Store idle power tools out of the reach of children and do not allow persons unfamiliar with the power tool or these instructions to operate the power tool.** Power tools are dangerous in the hands of untrained users.
5. **Maintain power tools and accessories. Check for misalignment or binding of moving parts, breakage of parts and any other condition that may affect the power tool's operation. If damaged, have the power tool repaired before use.** Many accidents are caused by poorly maintained power tools.
6. **Keep cutting tools sharp and clean.** Properly maintained cutting tools with sharp cutting edges are less likely to bind and are easier to control.
7. **Use the power tool, accessories and tool bits etc. in accordance with these instructions, taking into account the working conditions and the work to be performed.** Use of the power tool for operations different from those intended could result in a hazardous situation.
8. **Keep handles and grasping surfaces dry, clean and free from oil and grease.** Slippery handles and grasping surfaces do not allow for safe handling and control of the tool in unexpected situations.

Battery tool use and care

1. **Recharge only with the charger specified by the manufacturer.** A charger that is suitable for one type of battery pack may create a risk of fire when used with another battery pack.
2. **Use power tools only with specifically designated battery packs.** Use of any other battery packs may create a risk of injury and fire.
3. **When battery pack is not in use, keep it away from other metal objects, like paper clips, coins, keys, nails, screws or other small metal objects, that can make a connection from one terminal to another.** Shorting the battery terminals together may cause burns or a fire.
4. **Under abusive conditions, liquid may be ejected from the battery; avoid contact. If contact accidentally occurs, flush with water. If liquid contacts eyes, additionally seek medical help.** Liquid ejected from the battery may cause irritation or burns.
5. **Do not use a battery pack or tool that is damaged or modified.** Damaged or modified batteries may exhibit unpredictable behaviour resulting in fire, explosion or risk of injury.
6. **Do not expose a battery pack or tool to fire or excessive temperature.** Exposure to fire or temperature above 130 °C may cause explosion.
7. **Follow all charging instructions and do not charge the battery pack or tool outside the temperature range specified in the instructions.** Charging improperly or at temperatures outside the specified range may damage the battery and increase the risk of fire.

Service

1. **Have your power tool serviced by a qualified repair person using only identical replacement parts.** This will ensure that the safety of the power tool is maintained.
2. **Never service damaged battery packs.** Service of battery packs should only be performed by the manufacturer or authorized service providers.

Additional safety instructions for grinders, disc-type polishers and disc-type sanders

General

This part may be printed separately from the "General Power Tool Safety Warnings". In these safety instructions, terms such as grinding/grinder, sanding/sander, wire brushing/wire brush, polishing/polisher or cutting-off/cut-off tool are selected as specified by the manufacturer. These terms in the warnings and headings shall be consistently used or deleted based on the selected operations. The "and"/"or" conjunctions may be used as appropriate.

If the power tool is intended only for one of the listed operations, the heading of that section is to be used for all warnings.

Safety instructions for all operations

Safety warnings common for grinding, sanding, wire brushing, polishing or cutting-off operations:

- 1. This power tool is intended to function as a grinder, sander, wire brush, polisher, hole cutter or cut-off tool. Read all safety warnings, instructions, illustrations and specifications provided with this power tool.** Failure to follow all instructions listed below may result in electric shock, fire and/or serious injury.
- 2. Operations such as grinding, sanding, wire brushing, polishing, hole cutting or cutting-off are not to be performed with this power tool.** Operations for which the power tool was not designed may create a hazard and cause personal injury.
- 3. Do not convert this power tool to operate in a way which is not specifically designed and specified by the tool manufacturer.** Such a conversion may result in a loss of control and cause serious personal injury.
- 4. Do not use accessories which are not specifically designed and specified by the tool manufacturer.** Just because the accessory can be attached to your power tool, it does not assure safe operation.
- 5. The rated speed of the accessory must be at least equal to the maximum speed marked on the power tool.** Accessories running faster than their rated speed can break and fly apart.
- 6. The outside diameter and the thickness of your accessory must be within the capacity rating of your power tool.** Incorrectly sized accessories cannot be adequately guarded or controlled.
- 7. The dimensions of the accessory mounting must fit the dimensions of the mounting hardware of the power tool.** Accessories that do not match the mounting hardware of the power tool will run out of balance, vibrate excessively and may cause loss of control.
- 8. Do not use a damaged accessory. Before each use inspect the accessory such as abrasive wheels for chips and cracks, backing pad for cracks, tear or excess wear, wire brush for loose or cracked wires. If power tool or accessory is dropped, inspect for damage or install an undamaged accessory. After inspecting and installing an accessory, position yourself and bystanders away from the plane of the rotating accessory and run the power tool at maximum no-load speed for one minute.** Damaged accessories will normally break apart during this test time.
- 9. Wear personal protective equipment. Depending on application, use face shield, safety goggles or safety glasses. As appropriate, wear dust mask, hearing protectors, gloves and workshop apron capable of stopping small abrasive or workpiece fragments.** The eye protection must be capable of stopping flying debris generated by various applications. The dust mask or respirator must be capable of filtering particles generated by the particular application. Prolonged exposure to high intensity noise may cause hearing loss.
- 10. Hold the power tool by insulated gripping surfaces only. When performing an operation where the cutting tool may contact hidden wiring.** Contact with a "live" wire will also make exposed metal parts of the power tool "live" and could give the operator an electric shock.
- 11. Position the cord clear of the spinning accessory.** If you lose control, the cord may be cut or snagged and your hand or arm may be pulled into the spinning accessory.
- 12. Never lay the power tool down until the accessory has come to a complete stop.** The spinning accessory may grab the surface and pull the power tool out of your control.
- 13. Do not run the power tool while carrying it at your side.** Accidental contact with the spinning accessory could snag your clothing, pulling the accessory into your body.
- 14. Regularly clean the power tool's air vents.** The motor's fan will draw the dust inside the housing and excessive accumulation of powdered metal may cause electrical hazards.
- 15. Do not operate the power tool near flammable materials.** Sparks could ignite these materials.
- 16. Do not use accessories that require liquid coolants.** Using water or other liquid coolants may result in electrocution or shock.

Further safety instructions for all operations

Kickback and related warnings:

Kickback is a sudden reaction to a pinched or snagged rotating wheel, backing pad, brush or any other accessory. Pinching or snagging causes rapid stalling of the rotating accessory which in turn causes the uncontrolled power tool to be forced in the direction opposite of the accessory's rotation at the point of the binding.

For example, if an abrasive wheel is snagged or pinched by the workpiece, the edge of the wheel that is entering into the pinch point can dig into the surface of the material causing the wheel to climb out or kick out. The wheel may either jump toward or away from the operator, depending on direction

of the wheel's movement at the point of pinching. Abrasive wheels may also break under these conditions.

Kickback is the result of power tool misuse and/or incorrect operating procedures or conditions and can be avoided by taking proper precautions as given below.

- 1. Maintain a firm grip with both hands on the power tool and position your body and arms to allow you to resist kickback forces.** Always use auxiliary handle, if provided, for maximum control over kickback or torque reaction during start-up. The operator can control torque reactions or kickback forces, if proper precautions are taken.
- 2. Never place your hand near the rotating accessory.** Accessory may kickback over your hand.
- 3. Do not position your body in the area where power tool will move if kickback occurs.** Kickback will propel the tool in direction opposite to the wheel's movement at the point of snagging.
- 4. Use special care when working corners, sharp edges, etc. Avoid bouncing and snagging the accessory.** Corners, sharp edges or bouncing have a tendency to snag the rotating accessory and cause loss of control or kickback.
- 5. Do not attach a saw chain woodcarving blade, segmented diamond wheel with a peripheral gap greater than 10mm or toothed saw blade.** Such blades create frequent kickback and loss of control.

Additional safety instructions for grinding and cutting-off operations

Safety warnings specific for grinding and cutting-off operations:

- 1. Use only wheel types that are specified for your power tool and the specific guard designed for the selected wheel.** Wheels for which the power tool was not designed cannot be adequately guarded and are unsafe.
- 2. The grinding surface of centre depressed wheels must be mounted below the plane of the guard lip.** An improperly mounted wheel that projects through the plane of the guard lip cannot be adequately protected.
- 3. The guard must be securely attached to the power tool and positioned for maximum safety, so the least amount of wheel is exposed towards the operator.** The guard helps to protect the operator from broken wheel fragments, accidental contact with wheel and sparks that could ignite clothing.

- 4. Wheels must be used only for specified applications. For example: do not grind with the side of cut-off wheel.** Abrasive cut-off wheels are intended for peripheral grinding, side forces applied to these wheels may cause them to shatter.
- 5. Always use undamaged wheel flanges that are of correct size and shape for your selected wheel. Proper wheel flanges support the wheel thus reducing the possibility of wheel breakage.** Flanges for cut-off wheels may be different from grinding wheel flanges.
- 6. Do not use worn down wheels from larger power tools.** A wheel intended for larger power tool is not suitable for the higher speed of a smaller tool and may burst.
- 7. When using dual purpose wheels always use the correct guard for the application being performed.** Failure to use the correct guard may not provide the desired level of guarding, which could lead to serious injury.

Noise/vibration information

Noise emission values determined according to EN 62841-2-3.

Typically, the A-weighted noise level of the power tool is: Sound pressure level 83 dB(A); sound power level 94 dB(A). Uncertainty K = 5 dB.

Wear hearing protection!

Vibration total values a_h (triax vector sum) and uncertainty K determined according to EN 62841-2-3:

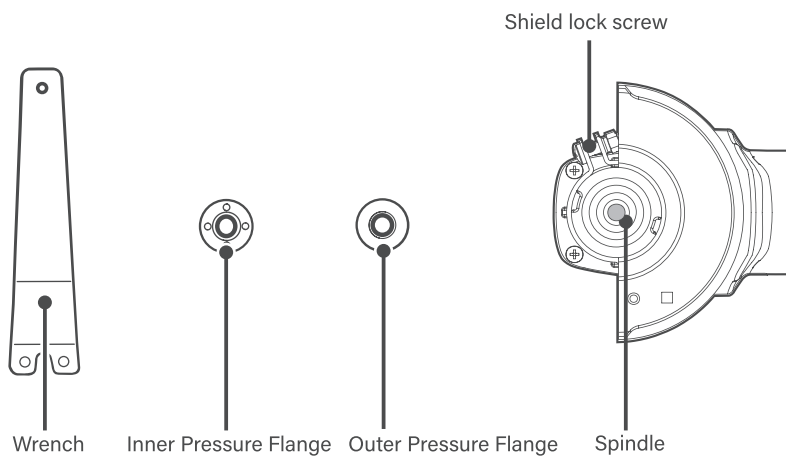
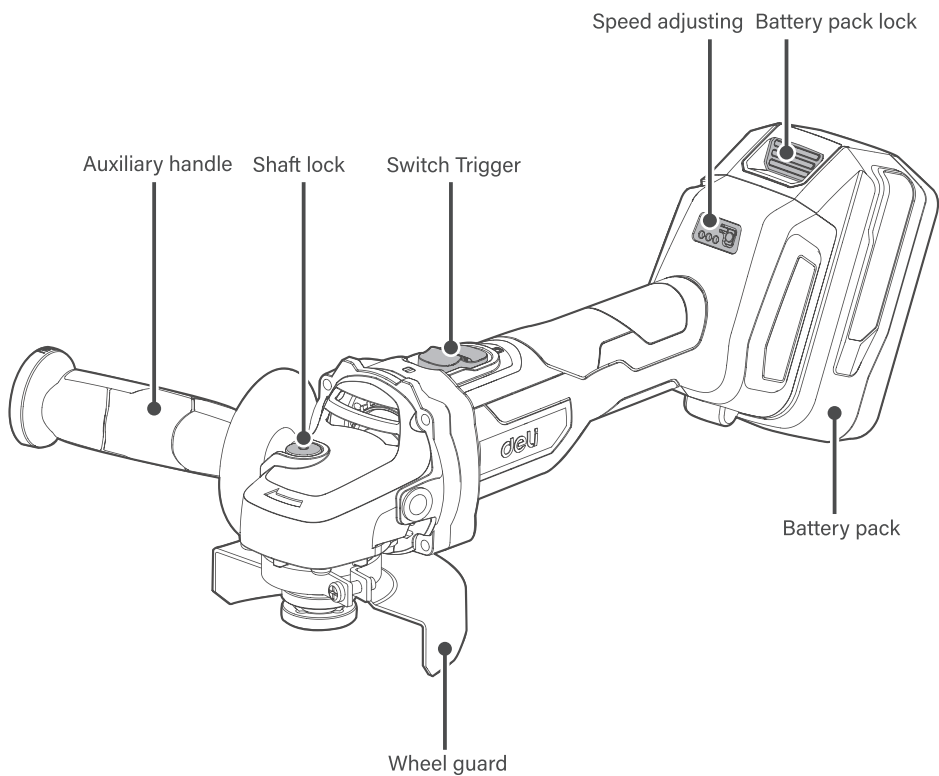
Drilling in metal: $a_h = 4.5 \text{ m/s}^2$, $K = 1.5 \text{ m/s}^2$

The vibration level and noise emission value given in these instructions have been measured in accordance with a standardised measuring procedure and may be used to compare power tools. They may also be used for a preliminary estimation of vibration and noise emissions.

The stated vibration level and noise emission value represent the main applications of the power tool. However, if the power tool is used for other applications, with different application tools or is poorly maintained, the vibration level and noise emission value may differ. This may significantly increase the vibration and noise emissions over the total working period.

To estimate vibration and noise emissions accurately, the times when the tool is switched off or when it is running but not actually being used should also be taken into account.

This may significantly reduce vibration and noise emissions over the total working period. Implement additional safety measures to protect the operator from the effects of vibration, such as servicing the power tool and application tools, keeping their hands warm, and organising workflows correctly.



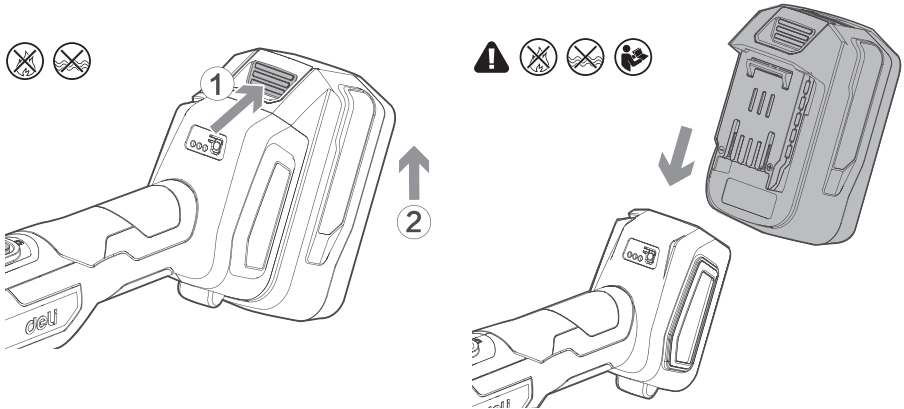
Some of the accessories mentioned in the illustrations or text are not included in the scope of supply.

Operation Instructions

Note: Read the instruction manual before operation.

1 Install/remove battery pack

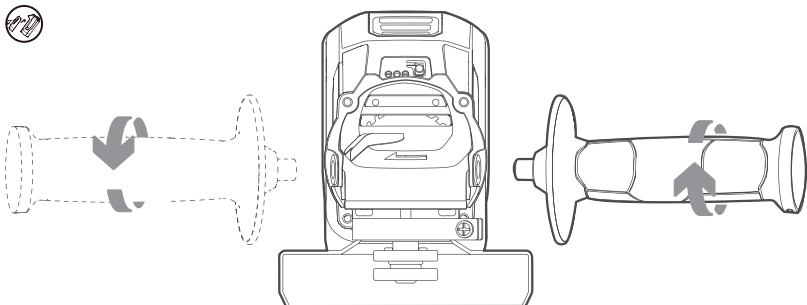
When installing or removing the battery pack, ensure that the tool is in the shutdown state;
When removing the battery pack, press the button above the battery pack while pulling it out of the tool;
When installing the battery pack, align the reed on the battery pack with the groove on the tool housing, and then slide it into place. Insert it fully into place until the battery pack is locked and clicks. If it is not installed properly, it may cause the battery pack to detach from the tool, leading to personal injury.



2 Install the auxiliary handle

Warning!

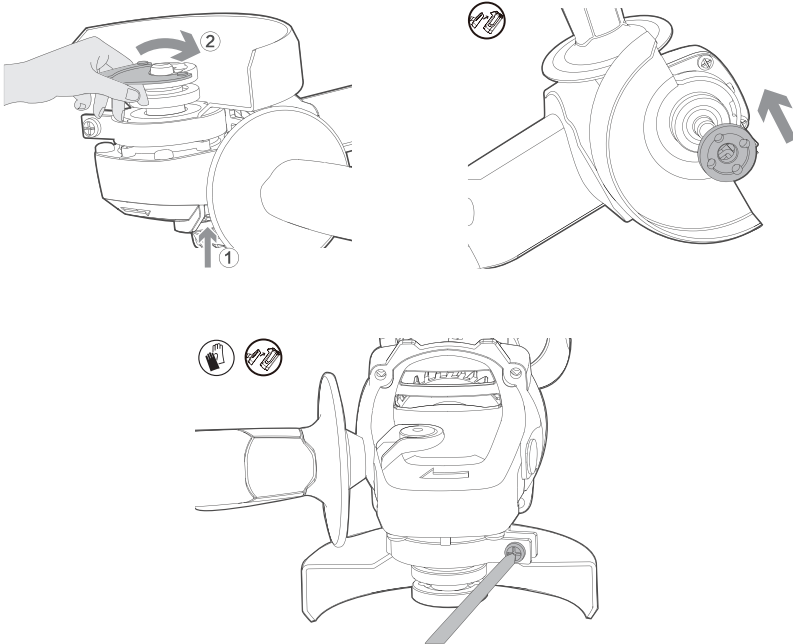
Before adjusting or checking the functionality of the tool, be sure to turn off the power and remove the battery pack.



3 Installing grinding/cutting disc

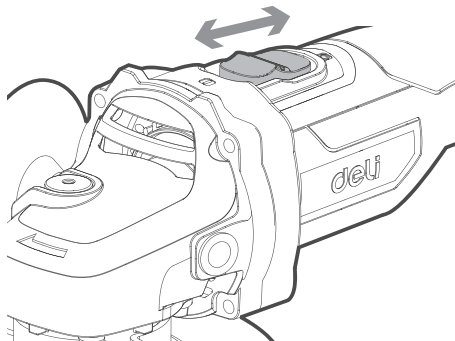
Warning! Before installing the grinding/cutting disc, always turn off the tool power and remove the battery pack.

Attention! When using the grinding/cutting disc, be sure to install the wheel guard properly. Place the wheel guard in the groove of the spindle collar and then screw it to the desired working position. Secure the wheel guard with screws. The grinding wheel should be able to rotate freely in the guard. Ensure that the closed side of the wheel guard always faces towards the operator's position.

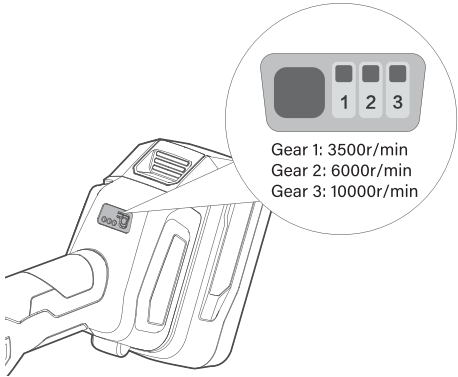


4 Operation

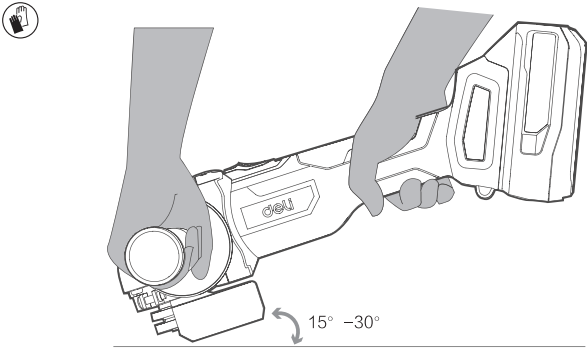
Turn on/off the tool



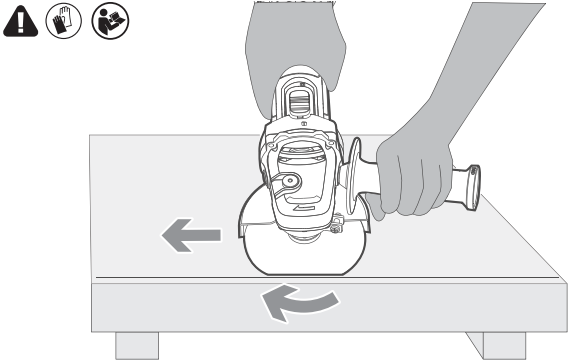
Speed adjustment



Gripping method of the tool



Cutting operations



Precautions for use

1. The speed can be adjusted through the speed adjustment button.
2. Do not increase the friction between the grinding wheel and the workpiece to improve efficiency, the rotating speed of the grinding wheel will decrease, and the working time will be prolonged.
3. Turn on the tool switch and machine the workpiece with the grinding wheel. Generally, the edge of the grinding wheel should maintain a 15° angle with the surface of the workpiece. During the running-in period of the new grinding wheel, do not operate the wheel in the forward direction, otherwise, it will cut into the workpiece. After the edge of the grinding wheel is rounded after use, it can be operated in either forward or reverse direction.
4. Do not change the angle of the grinding wheel during cutting operations. Applying lateral pressure to the cutting wheel (during grinding operations) will cause the wheel to crack and damage, resulting in serious personal injury. During operation, the diamond wheel should be perpendicular to the material being cut.
5. When cutting harder materials, try to use diamond cutting wheel as much as possible.
6. If the heating is severe when using the diamond cutting wheel, sparks will appear around the rotating wheel. At this time, stop using the wheel and run it without load for 2-3 minutes to cool down.
7. Please ensure that the workpiece is well clamped and does not move.

Product Warranty Card

Dear users :

Thank you for buying our products. In order to ensure your profit, users who buy our products can contact local distributor or Specified repair stations with invoice and warranty cards if the product failures due to quality problems.

Warranty Notice:

1. From _____ (Year/Month/Day) to _____ (Year/Month/Day), If the failure happen in normal use, our company will provide free warranty, parts replacement and other services according to the failure situation.
2. This warranty card and purchase invoice are the voucher of after-sales service provided by our company to customers. The card must be detailed only after filling in the following form and affixing the official seal with the distributor.
3. In one of the following cases, free warranty service will be invalid, and maintenance fees will be required:
 - (1) Exceed the expiration date.
 - (2) Failure or damage caused by not following the requirements of the product manual, maintenance or improper storage.
 - (3) Failure or damage caused by disassembling, repairing or modification of the product without the permission of our company.
 - (4) Machine breakdown or damage caused by force majeure.
 - (5) Consumable accessories.

This card is issued with the product. One card for one machine, to ensure that you can fully enjoy the right to free warranty service provided by the company, please keep this card properly, lost will not be replaced.

Purchase Date: _____ (Year/Month/Day)

Product Certificate

Inspector:

01

Date of manufacture:

NINGBO DELI TOOLS CO., LTD.
No. 128 Chezhan West Road, Huangtan Town,
Ninghai County, Ningbo, Zhejiang, China
delitoolsglobal@nbdeli.com
www.delitoolsglobal.com
+86 574 87562689
MADE IN CHINA



Technische Angaben

Modell	DE-JM20-1 DE-JM20-1X ...	DE-JM20-2 DE-JM20-2X ...	DE-JM20-3 DE-JM20-3X ...
Nennspannung	20V		
Scheibengröße	100 mm	125 mm	115 mm
Spindelgewinde	M10	M14	
Leerlaufdrehzahl	0-3500/6000/10000/min		
Gewicht(blankes Werkzeug)	1.18 kg	1.2 kg	

X=A2, A4, D2, D4... werden lediglich für verschiedene Kunden verwendet, es gibt keine sicherheitsrelevanten Unterschiede zwischen diesen Modellen.













Die Anfangskapazität des Akkus kann bis zu 20,8 V betragen, bei normaler Nutzung liegt dieser Wert bei 18 V.

⚠ Achtung! Bitte verwenden Sie nur die aufgelisteten Akkupacks und Ladegeräte. Die Verwendung anderer Akkus oder Ladegeräte kann zu Verletzungen und/oder Brand führen.

Es wird empfohlen, das Zubehör in dem Geschäft zu erwerben, in dem Sie Ihr Elektrowerkzeug gekauft haben. Bitte wählen Sie das richtige Zubehör für Ihre Arbeit. Weitere Informationen zur Verwendung und Hilfe finden Sie im Zubehörpaket.

Akkupack	DE-DC20A2	2.0Ah
	DE-DC20A3	2.5Ah
	DE-DC20A4	4.0Ah
	DE-DC20A5	5.0Ah
	DE-DC20A6	6.0Ah
	DE-DC20B8	8.0Ah
Ladegerät	DE-CD20A2E	2 A Einzelladung
	DE-CD20D4E	4 A Doppelladung
	DE-CD20A8E	8 A Einzelladung

Symbole

 Lesen Sie die Anleitung	 Warnzeichen	 Tragen Sie Schutzhandschuhe	 Nicht ins Wasser tauchen
 Tragen Sie einen Gehörschutz	 Tragen Sie eine Schutzbrille	 Tragen Sie Schutzmasken	 Nicht ins Feuer legen
 Vor dem Zubehörwechsel ist der Akku zu entfernen		 Die Akkus enthalten Lithium-Ionen. Aus Umweltschutzgründen sollten die gebrauchten Batterien sortiert und recycelt werden und gehören nicht in den Mülleimer.	
 Zollunions zertifikat			

Originalanleitung

Allgemeine Sicherheitshinweise für Elektrowerkzeuge

ACHTUNG Lesen Sie alle Sicherheitshinweise, Anweisungen, Abbildungen und Spezifikationen, die diesem Elektrowerkzeug beiliegen.

Die Nichtbeachtung aller unten aufgeführten Anweisungen kann zu einem Stromschlag, Brand und/oder schweren Verletzungen führen.

Verwahren Sie alle Warnhinweise und Anweisungen für zukünftigen Gebrauch. Der Begriff „Elektrowerkzeug“ in den Warnhinweisen bezieht sich auf Ihr netzbetriebenes (schnurgebundenes) Elektrowerkzeug oder akkubetriebenes (schnurloses) Elektrowerkzeug.

Sicherheit im Arbeitsbereich

- Halten Sie den Arbeitsbereich sauber und gut beleuchtet.** Unaufgeräumte oder dunkle Bereiche laden zu Unfällen ein.
- Betreiben Sie Elektrowerkzeuge nicht in explosionsgefährdeten Bereichen, wie z. B. bei Vorhandensein von brennbaren Flüssigkeiten, Gasen oder Staub.** Elektrowerkzeuge erzeugen Funken, die Staub oder Dämpfe entzünden können.
- Halten Sie Kinder und Zuschauer fern, während Sie ein Elektrowerkzeug bedienen.** Ablenkungen können dazu führen, dass Sie die Kontrolle verlieren.

Elektrische Sicherheit

- Die Stecker von Elektrowerkzeugen müssen zur Steckdose passen. Verändern Sie niemals den Stecker in irgendeiner Weise. Verwenden Sie keine Adapterstecker mit geerdeten Elektrowerkzeugen.** Unveränderte Stecker und passende Steckdosen verringern das Risiko eines Stromschlags.
- Vermeiden Sie Körperkontakt mit geerdeten Oberflächen wie z. B. Rohren, Heizkörpern, Herden und Kühlschränken.** Es besteht ein erhöhtes Risiko eines Stromschlags, wenn Ihr Körper geerdet ist.
- Setzen Sie Elektrowerkzeuge nicht Regen oder Nässe aus.** Wenn Wasser in ein Elektrowerkzeug eindringt, erhöht sich die Gefahr eines Stromschlags.
- Missbrauchen Sie das Kabel nicht. Benutzen Sie das Kabel niemals zum Tragen, Ziehen oder Ausstecken des Elektrowerkzeugs. Halten Sie das Netzkabel von Hitze, Flüssigkeiten, scharfen Kanten und beweglichen Teilen fern.** Beschädigte oder verwickelte Kabel erhöhen das Risiko eines Stromschlags.

- Wenn Sie ein Elektrowerkzeug im Freien betreiben, verwenden Sie ein für den Außenbereich geeignetes Verlängerungskabel.** Die Verwendung eines für den Außenbereich geeigneten Kabels verringert die Gefahr eines Stromschlags.
- Falls der Betrieb eines Elektrowerkzeugs in einer feuchten Umgebung unvermeidlich ist, verwenden Sie eine durch einen Fehlerstromschutzschalter (FI) geschützte Stromversorgung.** Die Verwendung eines FI-Schutzschalters verringert die Gefahr eines Stromschlags.

Persönliche Sicherheit

- Seien Sie wachsam, achten Sie darauf, was Sie tun, und nutzen Sie Ihren gesunden Menschenverstand, wenn Sie ein Elektrowerkzeug bedienen. Verwenden Sie ein Elektrowerkzeug nicht, wenn Sie müde sind oder unter dem Einfluss von Drogen, Alkohol oder Medikamenten stehen.** Ein Moment der Unachtsamkeit bei der Bedienung von Elektrowerkzeugen kann zu schweren Verletzungen führen.
- Verwenden Sie eine persönliche Schutzausrüstung. Tragen Sie immer einen Augenschutz.** Schutzausrüstungen wie Staubmaske, rutschfeste Sicherheitsschuhe, Schutzhelm oder Gehörschutz, die unter geeigneten Bedingungen verwendet werden, verringern die Zahl der Personenschäden.
- Verhindern Sie unbeabsichtigtes Starten. Stellen Sie sicher, dass der Schalter in der Aus-Stellung ist, bevor Sie das Gerät an die Stromquelle und/oder den Akkupack anschließen, es in die Hand nehmen oder tragen.** Das Tragen von Elektrowerkzeugen mit dem Finger auf dem Schalter oder das Einschalten von Elektrowerkzeugen, bei denen der Schalter eingeschaltet ist, lädt zu Unfällen ein.
- Ziehen Sie vor dem Einschalten des Elektrowerkzeugs alle Einstellschlüssel oder Schraubenschlüssel ab.** Ein Schraubenschlüssel oder ein Schlüssel, der an einem rotierenden Teil des Elektrowerkzeugs verbleibt, kann zu Verletzungen führen.
- Greifen Sie nicht zu weit. Halten Sie stets einen sicheren Stand und das Gleichgewicht.** Dies ermöglicht eine bessere Kontrolle des Elektrowerkzeugs in unerwarteten Situationen.

6. **Ziehen Sie sich entsprechend passend an. Tragen Sie keine weite Kleidung und keinen Schmuck. Halten Sie Ihr Haar und Ihre Kleidung von beweglichen Teilen fern.** Lockere Kleidung, Schmuck oder lange Haare können sich in beweglichen Teilen verfangen.
7. **Wenn Vorrichtungen zum Anschluss von Staubabsaugungen und -auffangvorrichtungen vorhanden sind, stellen Sie sicher, dass diese angeschlossen sind und ordnungsgemäß verwendet werden.** Die Verwendung einer Staubabsaugung kann die staubbedingten Gefahren verringern.
8. **Achten Sie darauf, dass die durch häufigen Gebrauch von Werkzeugen gewonnene Routine Sie nicht dazu verleitet, selbstgefällig zu werden und die Grundsätze der Werkzeugsicherheit zu ignorieren.** Eine unvorsichtige Handlung kann im Bruchteil einer Sekunde zu schweren Verletzungen führen.

Verwendung und Pflege von Elektrowerkzeugen

1. **Setzen Sie das Elektrowerkzeug nicht mit Gewalt ein. Verwenden Sie das richtige Elektrowerkzeug für Ihre Anwendung.** Das richtige Elektrowerkzeug erledigt die Arbeit besser und sicherer mit der Drehzahl, für die es ausgelegt ist.
2. **Verwenden Sie das Elektrowerkzeug nicht, wenn der Schalter es nicht ein- und ausschaltet.** Jedes Elektrowerkzeug, das sich nicht mit dem Schalter steuern lässt, ist gefährlich und muss repariert werden.
3. **Stromquelle und/oder entfernen Sie den Akkupack, falls abnehmbar, vom Elektrowerkzeug, bevor Sie Einstellungen vornehmen, Zubehörteile wechseln oder Elektrowerkzeuge lagern.** Solche vorbeugenden Sicherheitsmaßnahmen verringern das Risiko eines unbeabsichtigten Starts des Elektrowerkzeugs.
4. **Bewahren Sie ungenutzte Elektrowerkzeuge außerhalb der Reichweite von Kindern auf und erlauben Sie Personen, die mit dem Elektrowerkzeug oder dieser Anleitung nicht vertraut sind, nicht, das Elektrowerkzeug zu bedienen.** Elektrowerkzeuge sind in den Händen ungeschulter Benutzer gefährlich.
5. **Pflegen Sie Elektrowerkzeuge und Zubehör. Prüfen Sie, ob bewegliche Teile falsch ausgerichtet sind oder**

- klemmen, ob Teile gebrochen sind und ob andere Bedingungen vorliegen, die den Betrieb des Elektrowerkzeugs beeinträchtigen können. Lassen Sie das Elektrowerkzeug bei Beschädigung vor der Verwendung reparieren.** Viele Unfälle werden durch schlecht gewartete Elektrowerkzeuge verursacht.
6. **Halten Sie Schneidwerkzeuge scharf und sauber.** Ordnungsgemäß gewartete Schneidwerkzeuge mit scharfen Schneidkanten verklemmen sich seltener und sind leichter zu kontrollieren.
7. **Verwenden Sie das Elektrowerkzeug, das Zubehör, die Bits usw. gemäß dieser Anleitung und unter Berücksichtigung der Arbeitsbedingungen und der auszuführenden Arbeiten.** Die Verwendung des Elektrowerkzeugs für andere als die vorgesehenen Arbeiten kann zu gefährlichen Situationen führen.
8. **Halten Sie Griffe und Griffflächen trocken, sauber und frei von Öl und Fett.** Rutschige Griffe und Griffflächen ermöglichen keine sichere Handhabung und Kontrolle des Geräts in unerwarteten Situationen.

Verwendung und Pflege von Akkuwerkzeugen

1. **Laden Sie nur mit dem vom Hersteller empfohlenen Ladegerät auf.** Ein für einen bestimmten Akkutyp geeignetes Ladegerät kann bei Verwendung mit einem anderen Akkutyp eine Brandgefahr darstellen.
2. **Verwenden Sie Elektrowerkzeuge nur mit den speziell dafür vorgesehenen Akkus.** Die Verwendung anderer Akkus kann Verletzungs- und Brandgefahr mit sich bringen.
3. **Halten Sie den Akku bei Nichtgebrauch von anderen Metallgegenständen wie Büroklammern, Münzen, Schlüsseln, Nägeln, Schrauben oder anderen kleinen Metallgegenständen fern, die eine Verbindung zwischen den Polklemmen herstellen können.** Das Kurzschließen der Akkupolklemmen kann zu Verbrennungen oder einem Brand führen.
4. **Bei unsachgemäßem Gebrauch kann Flüssigkeit aus der Batterie austreten; bitte vermeiden Sie den Kontakt damit. Bei unbeabsichtigtem Kontakt sollte die betroffene Stelle mit Wasser gespült werden. Bei Kontakt der Flüssigkeit mit den Augen muss zusätzlich ein Arzt aufgesucht werden.** Die aus dem Akku austretende Flüssigkeit kann Reizungen oder Verbrennungen verursachen.

5. **Verwenden Sie keine beschädigten oder modifizierten Akkus oder Werkzeuge.** Beschädigte oder modifizierte Akkus können ein unvorhersehbares Verhalten zeigen, das zu Brand, Explosion oder Verletzungen führen kann.
6. **Setzen Sie einen Akku oder ein Werkzeug keinem Feuer oder überhöhten Temperaturen aus.** Ein Kontakt mit Feuer oder bei Temperaturen über 130 °C kann eine Explosion verursachen.
7. **Befolgen Sie alle Ladeanweisungen und laden Sie den Akku oder das Werkzeug niemals bei Temperaturen außerhalb des in den Anweisungen angegebenen Bereichs.** Unsachgemäßes Laden oder Laden bei Temperaturen außerhalb des angegebenen Bereichs kann den Akku beschädigen und die Brandgefahr erhöhen.

Wartung

1. **Lassen Sie Ihr Elektrowerkzeug von einem qualifizierten Servicetechniker warten, der nur identische Ersatzteile verwendet.** Dadurch wird sichergestellt, dass die Sicherheit des Elektrowerkzeugs erhalten bleibt.
2. **Warten Sie niemals beschädigte Akkupacks.** Die Wartung von Akkupacks sollte nur vom Hersteller oder von autorisierten Servicestellen durchgeführt werden.

Zusätzliche Sicherheitshinweise für Schleifgeräte, Tellerpolierer und Tellerschleifer

Allgemeines

Dieser Teil kann getrennt von den „Allgemeinen Sicherheitshinweisen für Elektrowerkzeuge“ gedruckt werden.

In diesen Sicherheitsanweisungen werden Begriffe wie „Schleifen“/„Schleifgerät“, „Schmirlgeln“/„Schmirlgelgerät“, „Drahtbürstarbeiten“/„Drahtbürste“, „Polieren“/„Poliergerät“ oder „Trennschleifen“/„Trennschleifer“ entsprechend den Angaben des Herstellers gewählt. Diese Begriffe in den Warnhinweisen und Überschriften sind je nach den gewählten Vorgängen durchgängig zu verwenden oder zu streichen. Die Konjunktionen „und“/„oder“ können nach Bedarf verwendet werden.

Ist das Elektrowerkzeug nur für einen der aufgeführten Arbeitsgänge bestimmt, ist die Überschrift dieses Abschnitts für alle Warnhinweise zu verwenden.

Sicherheitshinweise für alle Arbeiten

Allgemeine Sicherheitshinweise für das Schleifen, Schmirlgeln, Drahtbürsten, Polieren und Trennen:

1. **Dieses Elektrowerkzeug ist als Schleif-, Schmirlgel-, Drahtbürst-, Polier-, Lochschneide- oder Trennschleifgerät vorgesehen. Lesen Sie alle Sicherheitshinweise, Anweisungen, Abbildungen und Spezifikationen, die diesem Elektrowerkzeug beiliegen.** Die Nichtbeachtung aller unten aufgeführten Anweisungen kann zu einem Stromschlag, Brand bzw. schweren Verletzungen führen.
2. **Arbeiten wie Schleifen, Schmirlgeln, Drahtbürsten, Polieren, Löcher schneiden oder Abstechen dürfen mit diesem Elektrowerkzeug nicht durchgeführt werden.** Arbeiten, für die das Elektrowerkzeug nicht ausgelegt ist, können eine Gefahr darstellen und zu Verletzungen führen.
3. **Bauen Sie dieses Elektrowerkzeug nicht so um, dass es auf eine Art und Weise arbeitet, die nicht speziell vom Hersteller des Werkzeugs vorgesehen und angegeben ist.** Ein solcher Umbau kann zum Verlust der Kontrolle führen und schwere Verletzungen verursachen.
4. **Verwenden Sie kein Zubehör, das nicht speziell vom Hersteller des Elektrowerkzeugs entwickelt und spezifiziert wurde.** Die Tatsache, dass das Zubehör an Ihr Elektrowerkzeug angeschlossen werden kann, garantiert noch keinen sicheren Betrieb.
5. **Die Nenndrehzahl des Zubehörs muss mindestens so hoch sein wie die auf dem Elektrowerkzeug angegebene Höchstdrehzahl.** Zubehörteile, die schneller als ihre Nenndrehzahl laufen, können brechen und auseinanderfliegen.
6. Der Außendurchmesser und die Dicke des Zubehörs müssen mit der Nennleistung des Elektrowerkzeugs übereinstimmen. Nicht korrekt angepasste Zubehörteile können nicht richtig abgesichert bzw. kontrolliert werden.
7. **Die Abmessungen der Zubehörfestigung müssen zu den Abmessungen der Befestigungselemente des Elektrowerkzeugs passen.** Zubehör, das nicht zu den Befestigungselementen des Elektrowerkzeugs passt, gerät aus dem Gleichgewicht, vibriert übermäßig und kann zum Verlust der Kontrolle führen.
8. **Beschädigtes Zubehör nicht weiterverwenden. Überprüfen Sie vor jeder Verwendung das Zubehör wie z. B. Schleifscheiben auf Späne und Risse, Stützteller auf Risse, Risse oder übermäßige Abnutzung, Drahtbürste auf lose oder gerissene Drähte.** Wenn

das Elektrowerkzeug oder das Zubehör heruntergefallen ist, untersuchen Sie es auf Schäden oder installieren Sie ein unbeschädigtes Zubehör. Stellen Sie sich und Zuschauer nach dem Überprüfen und Installieren eines Zubehörteils von der Ebene des rotierenden Zubehörteils weg und lassen Sie das Elektrowerkzeug eine Minute lang mit maximaler Leerlaufdrehzahl laufen. Beschädigtes Zubehör bricht während dieser Testzeit normalerweise auseinander.

9. **Tragen Sie eine persönliche Schutzausrüstung. Verwenden Sie je nach Anwendung einen Gesichtsschutz, eine Schutzbrille oder einen Schutzhelm.** Tragen Sie gegebenenfalls Staubmaske, Gehörschutz, Handschuhe und Werkstatthürze, die kleine Schleifmittel- oder Werkstücksplitter auffangen können. Der Augenschutz muss in der Lage sein, umherfliegende Teile, die bei verschiedenen Anwendungen entstehen, aufzuhalten. Die Staubmaske oder der Atemschutz müssen in der Lage sein, die bei der jeweiligen Anwendung entstehenden Partikel zu filtern. Längere Lärmbelastung mit hoher Intensität kann zu Gehörschäden führen.
10. **Halten Sie das Elektrowerkzeug immer nur an den isolierten Griffflächen fest. Bei Arbeiten, bei denen das Schneidwerkzeug verborgene Leitungen berühren kann.** Der Kontakt mit einer „spannungsführenden“ Leitung kann freiliegende Metallteile des Elektrowerkzeugs „unter Spannung bringen“ und dem Bediener einen Stromschlag versetzen.
11. **Legen Sie das Kabel nicht in die Nähe des sich drehenden Zubehörs.** Wenn Sie die Kontrolle verlieren, kann das Kabel durchtrennt oder eingeklemmt werden, und Ihre Hand oder Ihr Arm kann in das sich drehende Zubehörteil gezogen werden.
12. **Legen Sie das Elektrowerkzeug niemals ab, bevor das Zubehör vollständig zum Stillstand gekommen ist.** Das sich drehende Zubehörteil kann sich an der Oberfläche verfangen und das Elektrowerkzeug aus Ihrer Kontrolle reißen.
13. **Lassen Sie das Elektrowerkzeug nicht laufen, wenn Sie es an der Seite tragen.** Ein versehentlicher Kontakt mit dem sich drehenden Zubehörteil könnte Ihre Kleidung einwickeln und das Zubehörteil in Ihren Körper ziehen.
14. **Reinigen Sie regelmäßig die Lüftungsschlitze des Elektrowerkzeugs.** Das Gebläse des Motors saugt den Staub ins Innere des Gehäuses, und eine übermäßige Ansammlung von Metallpulver kann zu elektrischen Gefahren führen.
15. **Betreiben Sie das Elektrowerkzeug nicht in der Nähe von brennbaren Materialien.** Funken könnten diese Materialien entzünden.
16. **Verwenden Sie kein Zubehör, das flüssige Kühlmittel benötigt.** Das Verwenden von

Wasser oder anderen flüssigen Kühlmitteln kann zu einem Stromschlag führen.

Weitere Sicherheitsanweisungen für alle Arbeiten

Rückschlag und entsprechende Warnhinweise:

Ein Rückschlag ist eine plötzliche Reaktion auf eine eingeklemmte oder verhakete rotierende Scheibe, einen Stützter, eine Bürste oder ein anderes Zubehörteil. Das Einklemmen oder Verhaken führt zu einem schnellen Abwürgen des rotierenden Zubehörs, was wiederum dazu führt, dass das unkontrollierte Elektrowerkzeug in die Richtung gezwungen wird, die der Rotation des Zubehörs an der Stelle des Einklemmens entgegengesetzt ist. Wird beispielsweise eine Schleifscheibe durch das Werkstück erfasst oder eingeklemmt, kann sich die Kante der Scheibe, die in den Klambereich eindringt, in die Oberfläche des Materials eingraben, was dazu führt, dass die Scheibe sich herausbewegt oder herauspringt. Je nachdem, in welche Richtung sich die Scheibe an der Einklemmstelle bewegt, kann sie entweder auf den Bediener zu oder von ihm weg springen. Auch Schleifscheiben können unter diesen Bedingungen brechen.

Ein Rückschlag ist die Folge von unsachgemäßem Gebrauch des Elektrowerkzeugs und/oder falschen Betriebsverfahren oder -bedingungen und kann durch die nachstehend beschriebenen Vorsichtsmaßnahmen vermieden werden.

1. **Halten Sie das Elektrowerkzeug mit beiden Händen fest und positionieren Sie Ihren Körper und Ihre Arme so, dass Sie den Rückstoßkräften widerstehen können.** Verwenden Sie immer den Zusatzhandgriff, falls vorhanden, um den Rückschlag oder die Drehmomentreaktion während des Starts maximal zu kontrollieren. Der Bediener kann Drehmomentreaktionen oder Rückstoßkräfte kontrollieren, wenn die entsprechenden Vorsichtsmaßnahmen getroffen werden.
2. **Halten Sie Ihre Hand niemals in die Nähe des sich drehenden Zubehörs.** Das Zubehör kann über Ihre Hand zurückschlagen.
3. **Halten Sie Ihren Körper nicht in dem Bereich, in dem sich das Elektrowerkzeug bewegt, wenn ein Rückschlag auftritt.** Der Rückschlag treibt das Gerät in die entgegengesetzte Richtung zur Bewegung der Scheibe an der Stelle, an der es sich verhakt.
4. **Seien Sie besonders vorsichtig beim Bearbeiten von Ecken, scharfen Kanten usw. Vermeiden Sie ein Zurückschlagen und Verhaken des Zubehörs.** Ecken, scharfe Kanten oder Sprünge haben die Tendenz, das rotierende Zubehörteil zu verfangen und einen Kontrollverlust oder Rückschlag zu verursachen.

5. **Bringen Sie keine Sägeketten, Schnitzblätter, segmentierte Diamantscheiben mit einem Umfangspalt von mehr als 10 mm oder gezahnte Sägeblätter an.** Solche Blätter führen häufig zu Rückschlag und Kontrollverlust.

Zusätzliche Sicherheitshinweise für Schleif- und Trennschleifarbeiten

Sicherheitshinweise speziell für Schleif- und Trennschleifarbeiten:

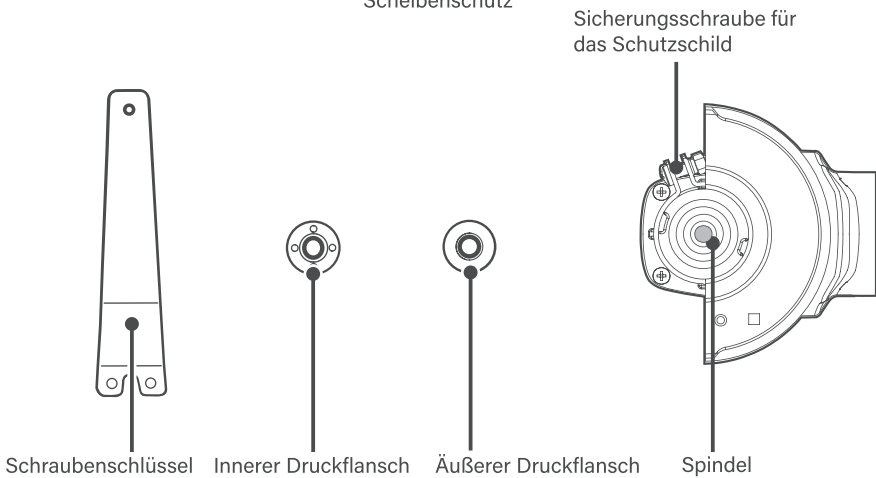
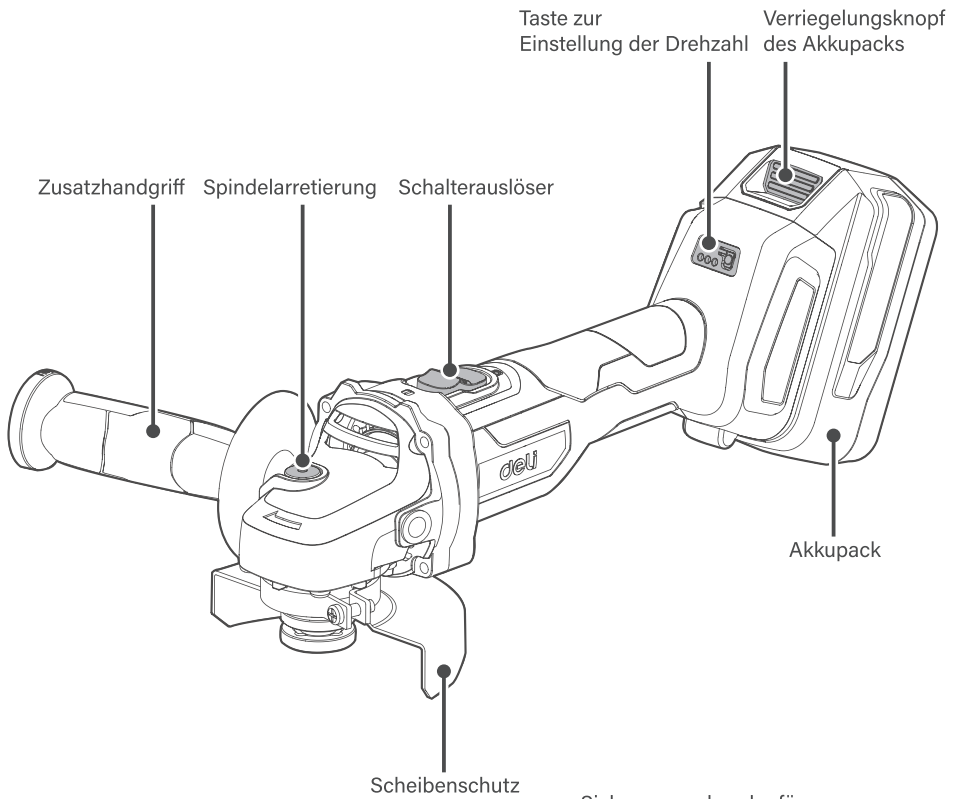
1. **Verwenden Sie nur Scheibentypen, die für Ihr Elektrowerkzeug spezifiziert sind sowie die für die gewählte Scheibe vorgesehene spezielle Schutzvorrichtung.** Scheiben, für die das Elektrowerkzeug nicht ausgelegt ist, können nicht ausreichend geschützt werden und sind unsicher.
2. **Die Schleiffläche von mittig eingedrückten Scheiben muss unterhalb der Ebene der Schutzlippe angebracht sein.** Eine unsachgemäß montierte Scheibe, die durch die Ebene der Schutzlippe ragt, kann nicht ausreichend geschützt werden.
3. **Die Schutzvorrichtung muss sicher am Elektrowerkzeug angebracht und so positioniert sein, dass möglichst wenig von der Scheibe in Richtung des Bedieners zeigt.** Die Schutzvorrichtung schützt den Bediener vor Teilen von zerbrochenen Scheiben, versehentlichem Kontakt mit der Scheibe und Funken, die die Kleidung entzünden könnten.
4. **Die Scheiben dürfen nur für bestimmte Anwendungen verwendet werden.** Ein Beispiel: Schleifen Sie nicht mit der Seite der Trennscheibe. Trennschleifscheiben sind für das Umfangsschleifen bestimmt; seitlich auf diese Scheiben einwirkende Kräfte können sie zersplittern lassen.
5. **Verwenden Sie immer unbeschädigte Schleifscheibenflansche, die die richtige Größe und Form für die ausgewählte Scheibe haben.** Richtige Schleifscheibenflansche stützen die Scheibe und verringern so die Möglichkeit eines Scheibenbruchs. Die Flansche für Trennscheiben können sich von den Flanschen für Schleifscheiben unterscheiden.
6. **Verwenden Sie keine abgenutzten Scheiben von größeren Elektrowerkzeugen.** Eine für ein größeres Elektrowerkzeug vorgesehene Scheibe ist für die höhere Drehzahl eines kleineren Werkzeugs nicht geeignet und kann platzen.
7. **Verwenden Sie bei der Verwendung von Doppelzweck-Schleifscheiben immer die richtige Schutzvorrichtung für die jeweilige Anwendung.** Wenn Sie nicht die richtige Schutzvorrichtung verwenden, bietet diese möglicherweise nicht den gewünschten Schutz, was zu schweren Verletzungen führen kann.

Informationen zu Geräusch und Vibration

Die Geräuschemissionswerte wurden gemäß EN 62841-2-3 ermittelt.

Der A-bewertete Geräuschpegel des Elektrowerkzeugs beträgt in der Regel: Schalldruckpegel 83 dB(A); Schallleistungspegel 94 dB(A). Messunsicherheit K = 5 dB. Tragen Sie einen Gehörschutz!

Schwingungsgesamtwerte „ah“ (Triax-Vektorsumme) und Messunsicherheit „K“ werden gemäß EN 62841-2-3 ermittelt:
Bohren Metall: $a_h = 4,5 \text{ m/s}^2$, $K = 1,5 \text{ m/s}^2$ Die in dieser Anleitung angegebenen Werte für Vibrationspegel und Geräuschemissionen wurden nach einem Standardmessverfahren gemessen und können zum Vergleich von Elektrowerkzeugen verwendet werden. Sie können auch für eine erste Abschätzung der Vibrations- und Geräuschemissionen verwendet werden. Das angegebene Vibrationsniveau und der Geräuschemissionswert beziehen sich auf die wichtigsten Anwendungen des Elektrowerkzeugs. Wird das Elektrowerkzeug jedoch für andere Anwendungen oder mit anderen Werkzeugen eingesetzt oder unzureichend gewartet, können der Vibrationspegel und der Geräuschemissionswert abweichen. Dadurch können sich die Vibrations- und Geräuschemissionen während der gesamten Betriebsdauer erheblich erhöhen. Zur genauen Abschätzung der Vibrations- und Geräuschemissionen sollten auch die Zeiten berücksichtigt werden, in denen das Werkzeug ausgeschaltet ist oder zwar in Betrieb ist, aber nicht benutzt wird. Dies kann die Vibrations- und Geräuschemissionen über die gesamte Arbeitsdauer erheblich reduzieren. Durch zusätzliche Sicherheitsmaßnahmen kann der Bediener vor den Auswirkungen von Vibrationen geschützt werden, z. B. durch Wartung des Elektrowerkzeugs und der Anwendungswerkzeuge, durch Warmhalten der Hände und durch korrekte Organisation der Arbeitsabläufe.

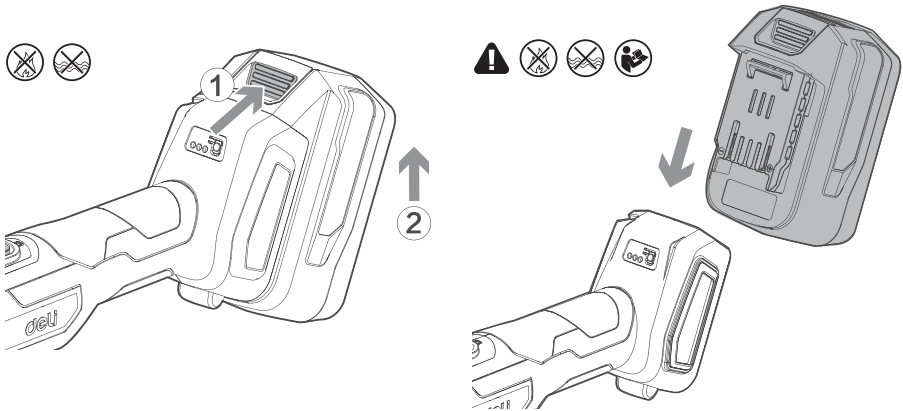


Manche der in den Abbildungen oder im Text erwähnten Zubehörteile sind nicht im Lieferumfang enthalten.

Hinweis: Lesen Sie die Bedienungsanleitung vor dem Betrieb durch.

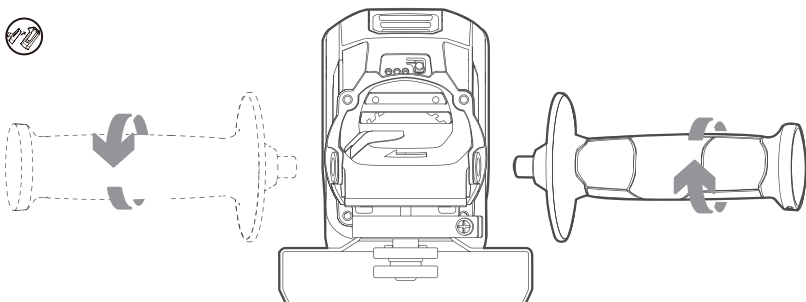
1 Einlegen/Entfernen des Akkupacks

Stellen Sie beim Einsetzen oder Entfernen des Akkupacks sicher, dass das Gerät ausgeschaltet ist;
Zum Entfernen des Akkupacks drücken Sie den Knopf über dem Akkupack, während Sie ihn aus dem Gerät ziehen;
Richten Sie beim Einsetzen des Akkupacks die Rille des Akkupacks an der Nut des Gerätegehäuses aus und schieben Sie den Akkupack dann ein. Schieben Sie ihn vollständig ein, bis der Akkupack fest sitzt und einrastet. Wird er nicht richtig eingesetzt, kann sich der Akkupack aus dem Gerät lösen und zu Verletzungen führen.



2 Montieren Sie den Hilfsgriff

Achtung!
Schalten Sie das Gerät aus und nehmen Sie den Akkupack heraus, bevor Sie es einstellen oder seine Funktion überprüfen.

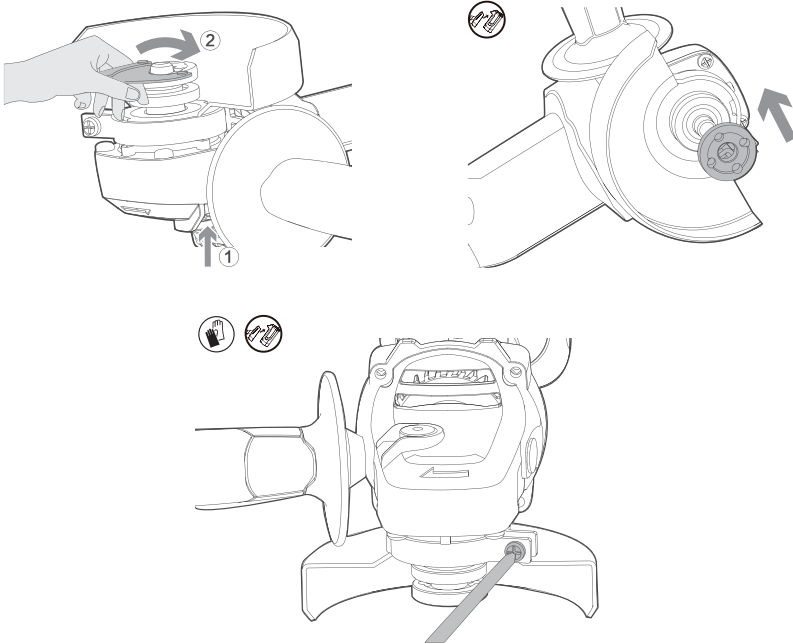


3 Einsetzen der Schleif-/Trennscheibe

Achtung! Schalten Sie vor dem Einsetzen der Schleif-/Trennscheibe immer das Gerät aus und nehmen Sie den Akkupack heraus.

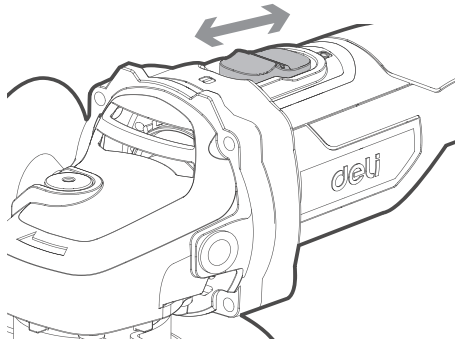
Achtung! Achten Sie bei der Verwendung der Schleif-/Trennscheibe darauf, dass der Scheibenschutz ordnungsgemäß montiert ist.

Setzen Sie den Scheibenschutz in die Nut des Spindelkranzes und schrauben Sie ihn dann in die gewünschte Arbeitsposition. Sichern Sie den Scheibenschutz mit Schrauben. Die Schleifscheibe sollte sich im Scheibenschutz frei drehen können. Achten Sie darauf, dass die geschlossene Seite des Schleifscheibenschutzes immer in Richtung des Bedieners zeigt.

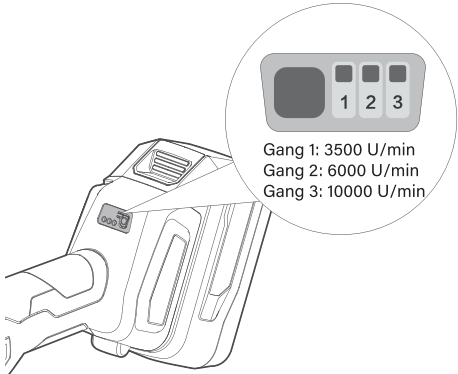


4 Bedienung

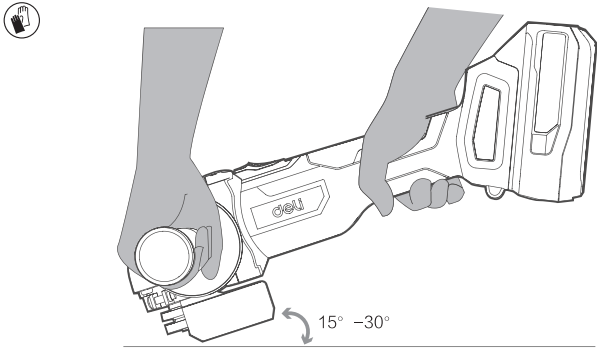
Ein- und Ausschalten des Geräts



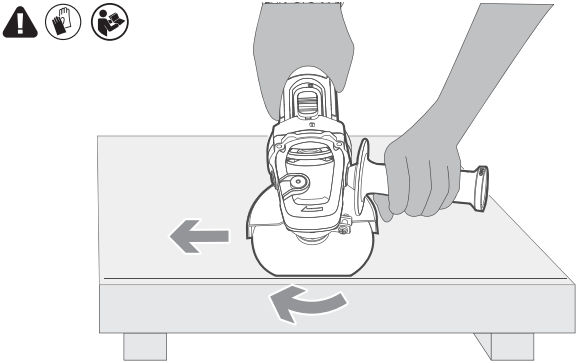
Einstellung der Drehzahl



Greifverfahren des Werkzeugs



Schneidarbeiten



Vorsichtsmaßnahmen bei der Verwendung

1. Die Drehzahl kann über die Drehzahlregelungstaste eingestellt werden.
2. Erhöhen Sie nicht die Reibung zwischen der Schleifscheibe und dem Werkstück, um die Effizienz zu verbessern, da sonst die Drehgeschwindigkeit der Schleifscheibe sinkt und die Arbeitszeit verlängert wird.
3. Schalten Sie den Werkzeugschalter ein und bearbeiten Sie das Werkstück mit der Schleifscheibe. Grundsätzlich sollte die Kante der Schleifscheibe einen Winkel von 15° mit der Oberfläche des Werkstücks einhalten. Während der Einlaufzeit der neuen Schleifscheibe darf die Scheibe nicht in Vorwärtsrichtung betrieben werden, da sie sonst in das Werkstück schneidet. Sobald die Kante der Schleifscheibe durch die Benutzung abgerundet ist, kann die Schleifscheibe sowohl in Vorwärts- als auch in Rückwärtsrichtung betrieben werden.
4. Verändern Sie nicht den Winkel der Schleifscheibe während des Schneidevorgangs. Seitlicher Druck auf die Trennscheibe (während des Schleifens) führt zu Rissen und Beschädigungen der Scheibe, was zu schweren Verletzungen führen kann. Während des Betriebs sollte die Diamantscheibe senkrecht zum zu schneidenden Material stehen.
5. Beim Schneiden härterer Materialien sollten Sie möglichst eine Diamanttrennscheibe verwenden.
6. Bei starker Erhitzung der Diamanttrennscheibe entstehen Funken um die rotierende Scheibe. In diesem Fall stellen Sie den Betrieb ein und lassen Sie die Scheibe 2-3 Minuten lang ohne Last laufen, um sie abzukühlen.
7. Stellen Sie sicher, dass das Werkstück gut eingespannt ist und sich nicht bewegt.

Produktgarantiekarte

Produktgarantiekarte:

Wir bedanken uns, dass Sie sich für unsere Produkte entschieden haben. Im Interesse ihrer Zufriedenheit können sich die Käufer im Falle von Qualitätsproblemen mit der Rechnung und der Garantiekarte an den lokalen Vertriebshändler oder an die angegebene Reparaturstelle wenden.

Garantie Hinweis:

1. Wenn von _____ (Jahr/Monat/Tag) bis _____ (Jahr/Monat/Tag), das Produkt bei bestimmungsgemäßem Gebrauch ausfällt, bietet unser Unternehmen eine kostenlose Garantie, Ersatzteilversorgung und andere Dienstleistungen je nach Problemfall.
2. Diese Garantiekarte und der Kaufbeleg dienen als Nachweise für den von unserem Unternehmen angebotenen Kundendienst. Die Karte darf nur nach Ausfüllen des folgenden Formulars und Anbringen des offiziellen Händlerstempels ausgefüllt werden.
3. Bei folgenden Fällen gilt der kostenlose Garantieservice nicht, und es werden Wartungsgebühren fällig:
 - (1) Überschreitung des Verfallsdatums.
 - (2) Fehler oder Schäden, die durch Nichtbeachtung der Anweisungen im Produkthandbuch, unsachgemäße Wartung oder Lagerung verursacht wurden.
 - (3) Fehler oder Schäden, die durch das Zerlegen, Reparieren oder Modifizieren des Produkts ohne Genehmigung von unserem Unternehmen verursacht wurden.
 - (4) Geräteausfall oder Schäden, die durch höhere Gewalt verursacht wurden.
 - (5) Für verbrauchbares Zubehör.

Diese Karte wird zusammen mit dem Produkt ausgegeben. Eine Karte pro Gerät. Bewahren Sie diese Karte sorgfältig auf, um den Anspruch auf den kostenlosen Garantieservice des Unternehmens zu gewährleisten; bei Verlust wird sie nicht ersetzt.

Kaufdatum: _____ (Jahr/Monat/Tag)

Produktzertifikat

Prüfer:

01

Herstellungsdatum:

NINGBO DELI TOOLS CO., LTD.
No. 128 Chezhan West Road, Huangtan Town,
Ninghai County, Ningbo, Zhejiang, China
delitoolsglobal@nbdeli.com
www.delitoolsglobal.com
+86 574 87562689
MADE IN CHINA



Spécifications

Modèle	DE-JM20-1 DE-JM20-1X ...	DE-JM20-2 DE-JM20-2X ...	DE-JM20-3 DE-JM20-3X ...
Tension nominale	20V		
Diamètre de disque	100 mm	125 mm	115 mm
Filetage de broche	M10	M14	
Vitesse à vide	0-3500/6000/10000/min		
Poids de la machine(outil seul)	1.18 kg	1.2 kg	

X=A2, A4, D2, D4..., ils sont uniquement utilisés pour différents clients, il n'y a pas de changements notables sur le plan de la sécurité entre ces modèles.













La capacité de la batterie initiale peut aller jusqu'à 20,8 V, et, dans des conditions normales d'utilisation, la valeur nominale est de 18 V.

⚠ Avertissement ! Utilisez uniquement les batteries et chargeurs spécifiés. L'utilisation d'un autre type de batterie ou de chargeur présente un risque d'incendie et/ou de blessures.

Il est recommandé de sélectionner les accessoires dans le magasin où vous avez acheté l'outil électrique. Veuillez sélectionner les accessoires adaptés à votre travail. Veuillez vous référer à l'emballage des accessoires pour en savoir plus sur l'utilisation.

Batterie	DE-DC20A2	2.0Ah
	DE-DC20A3	2.5Ah
	DE-DC20A4	4.0Ah
	DE-DC20A5	5.0Ah
	DE-DC20A6	6.0Ah
	DE-DC20B8	8.0Ah
Chargeur	DE-CD20A2E	Chargeur simple 2A
	DE-CD20D4E	Chargeur double 4A
	DE-CD20A8E	Chargeur simple 8A

Symboles

 Lire les instructions	 Symboles d'avertissement	 Veuillez porter des gants de protection	 Ne mettez pas l'outil dans l'eau
 Veuillez porter des cache-oreilles protecteurs	 Veuillez porter des lunettes de protection	 Veuillez porter un masque	 Ne mettez pas l'outil dans des flammes
 Retirez la batterie avant de changer d'accessoire	 Les batteries contiennent du lithium-ion.  Pour protéger l'environnement, les batteries mises au rebut doivent être triées et recyclées, et ne doivent pas être jetées à la poubelle.		
 Certificat d'union douanière			

Instructions originales

Avertissements généraux concernant les outils électriques

AVERTISSEMENT Lire l'ensemble des avertissements, instructions, illustrations et spécifications fourni avec cet outil électrique. Le fait de ne pas suivre toutes les instructions figurant dans la liste ci-dessous peut entraîner un risque de choc électrique, d'incendie et/ou de blessures graves.

Conservez tous les avertissements et instructions à titre d'information.

Le terme « outil électrique » dans les avertissements fait référence à votre outil électrique (avec fil) fonctionnant sur secteur ou à votre outil électrique (sans fil) fonctionnant sur batterie.

Sécurité du lieu de travail

1. **Maintenez le lieu de travail propre et bien éclairé.** Les emplacements encombrés ou sombres favorisent les accidents.
2. **N'utilisez pas d'outils électriques dans un environnement explosif, par exemple en présence de liquides, de gaz ou de poussières inflammables.** Les outils électriques dégagent des étincelles qui peuvent enflammer les vapeurs.
3. **Éloignez les enfants et les personnes alentour lorsque vous utilisez un outil électrique.** Toutes distractions peuvent vous faire perdre le contrôle.

Sécurité électrique

1. **Les prises de l'outil électrique doivent correspondre à la prise murale. N'altérez jamais la prise de quelque manière que ce soit. N'utilisez pas de prises d'adaptateur avec des appareils mis à la terre.** Les prises non altérées et les prises murales correspondantes réduiront les risques de chocs électriques.
2. **Évitez que le corps puissent toucher les surfaces mises à la terre, telles que tuyaux, radiateurs, cuisinières et réfrigérateurs.** Le risque d'électrocution est plus important si votre corps est mis à la terre.
3. **N'exposez pas les outils électriques à la pluie ni à l'humidité.** La pénétration d'eau dans un outil électrique augmente les risques d'électrocution.
4. **N'abusez pas de l'utilisation du fil. N'utilisez jamais le fil pour transporter, tirer ou débrancher l'outil électrique. Conservez le fil à l'écart de la chaleur, de l'huile, des bords coupants ou pièces mobiles.** Un fil endommagé ou emmêlé augmente les risques d'électrocution.

5. **Pour utiliser un outil électrique en extérieur, utilisez une rallonge adaptée à l'usage à l'extérieur.** L'utilisation d'un fil adapté à l'usage extérieur réduit les risques d'électrocution.
6. **Si l'utilisation d'un outil électrique dans un endroit humide est inévitable, utilisez une alimentation protégée par un disjoncteur.** L'utilisation d'un disjoncteur permet de réduire les risques d'électrocution.

Sécurité personnelle

1. **Restez attentif, surveillez votre travail et faites preuve de bon sens lorsque vous utilisez un outil électrique. N'utilisez pas un outil électrique si vous êtes fatigué ou sous l'influence de drogues, d'alcool ou de médicaments.** Un moment d'inattention lors de l'utilisation d'outils électriques peut entraîner des blessures graves.
2. **Portez un équipement de protection individuelle. Portez toujours une protection auditive (oreillettes).** Des équipements de protection tels qu'un masque anti-poussière, des chaussures de sécurité antidérapantes, un casque ou des protections auditives, utilisés dans de bonnes conditions, permettront de réduire les risques de blessures.
3. **Prévenez les démarrages non intentionnels. Assurez-vous que l'interrupteur est éteint (off) avant de brancher l'appareil à la prise d'alimentation et / ou à la batterie, ou de saisir ou de transporter l'outil.** Le fait de transporter des outils électriques en ayant le doigt sur l'interrupteur ou de lancer des outils électriques lorsque l'interrupteur est allumé, peut être source d'accidents.
4. **Retirez toute clé de réglage ou autre clé avant de mettre l'outil électrique en marche.** Une clé laissée sur une pièce rotative de l'outil électrique peut entraîner des blessures.
5. **Ne vous penchez pas excessivement. Conservez à tout moment un bon appui et bon équilibre.** Vous pouvez ainsi mieux contrôler l'outil électrique en cas de situations imprévues.
6. **Habilitez-vous judicieusement. Ne portez pas de vêtements amples ni de bijoux. Tenez les cheveux et les vêtements à l'écart des pièces en mouvement.** Les vêtements amples, les bijoux ou les cheveux longs peuvent se coincer dans les pièces en mouvement.
7. **Sides appareils permettent de se raccorder à des équipements de collecte et d'extraction de la poussière ; assurez-vous qu'ils soient raccordés et correctement utilisés.** L'utilisation d'un système de collecte de la poussière peut réduire les risques liés à la poussière.

8. **Même si vous avez pris l'habitude d'utiliser des outils, vous ne devez pas être moins vigilant et ignorer les principes de sécurité des outils.** Un geste imprudent peut provoquer une blessure grave en une fraction de seconde.

Utilisation et entretien de l'outil électrique

1. **Ne forcez pas sur l'outil électrique. Utilisez l'outil électrique convenant à l'usage.** Le bon outil électrique fonctionnera mieux et plus sûrement s'il est utilisé à la vitesse pour laquelle il a été conçu.
2. **N'utilisez pas l'outil électrique si l'interrupteur ne l'allume ou ne l'éteint pas.** Tout outil électrique ne pouvant être contrôlé avec l'interrupteur est un outil dangereux, et doit être réparé.
3. **Débranchez la prise et/ou retirez le compartiment à piles, s'il est détachable, de l'outil électrique avant tout réglage, changement d'accessoires ou avant de ranger des outils électriques.** Ce type de mesures de protection permet de réduire les risques d'allumage accidentel de l'outil électrique.
4. **Rangez les outils électriques au repos hors de portée des enfants, et ne laissez personne ne connaissant pas l'outil électrique ou ces instructions utiliser l'outil électrique.** Les outils électriques sont dangereux entre les mains de personnes qui n'y sont pas formées.
5. **Entretenez les et accessoires des outils électriques. Vérifiez l'alignement ou l'adhésion des pièces en mouvement, toute casse de pièces et toute autre condition susceptible d'affecter le bon fonctionnement de l'outil électrique. S'il est endommagé, faites réparer l'outil électrique avant de l'utiliser.** De nombreux accidents sont causés par des outils électriques mal entretenus.
6. **Faites en sorte que les outils de coupe restent affûtés et propres.** Des outils de coupe bien entretenus aux bords affûtés adhèrent moins et sont plus faciles à contrôler.
7. **Utilisez l'outil électrique, les accessoires, embouts et forets, conformément à ces instructions, en tenant compte des conditions de travail et du travail à entreprendre.** L'utilisation de l'outil électrique dans un but différent de celui prévu peut entraîner des situations dangereuses.
8. **Faites en sorte que les surfaces de préhension et poignées restent sèches, propres et exemptes d'huile et de graisse.** Les poignées et les surfaces de préhension glissantes ne permettent pas de manipuler et de contrôler l'outil en toute sécurité dans des situations inattendues.

Utilisation et entretien de l'outil fonctionnant sur batterie

1. **Rechargez uniquement avec le chargeur spécifié par le fabricant.** Un chargeur qui est adapté pour un type de batterie risque de provoquer un début d'incendie s'il est utilisé avec un autre type de batterie.
2. **Utilisez uniquement les outils électriques spécifiquement recommandés pour la batterie.** L'utilisation d'un autre type de batterie présente un risque d'incendie ou de blessures.
3. **Lorsque que la batterie n'est pas utilisée, rangez-la à l'écart d'autres objets métalliques, tels des trombones, des pièces de monnaie, de clés, des clous, des vis ou d'autres petits objets métalliques qui peuvent établir une connexion entre les bornes.** Il y a un risque d'incendie ou de brûlures si les bornes de la batterie sont court-circuitées.
4. **En cas de mauvaise manipulation, du liquide peut s'échapper de la batterie ; évitez tout contact. En cas de contact accidentel, rincez abondamment à l'eau.** Si le liquide entre en contact avec les yeux, consultez un médecin. Le liquide de la batterie est dangereux et provoque des irritations ou des brûlures.
5. **N'utilisez pas une batterie ou un outil s'ils ont été endommagés ou modifiés.** Une batterie endommagée ou modifiée peut avoir un fonctionnement imprévu avec un risque d'incendie, d'explosion ou de blessure.
6. **N'exposez pas la batterie ou l'outil à des températures excessives ou à des flammes.** L'exposition aux flammes ou à des températures supérieures à 130 °C présente un risque d'explosion.
7. **Suivez toutes les consignes pour la recharge et ne rechargez pas la batterie ou l'outil à des températures en dehors de la plage spécifiée dans les consignes.** Une mauvaise recharge ou une charge à des températures en dehors de la plage spécifiée peut endommager la batterie et augmenter le risque d'incendie.

Révision

1. **Faites réviser votre outil électrique par un technicien qualifié utilisant seulement des pièces de rechange identiques.** Cela permettra de préserver la sécurité de l'outil électrique.
2. **Une batterie endommagée ne doit jamais être réparée.** L'entretien de la batterie doit être confié au fabricant ou aux réparateurs agréés.

Consignes de sécurité supplémentaires pour les meuleuses, les polisseuses à disque et les ponceuses à disque

Généralités

Cette partie peut être imprimée séparément des « Avertissements de sécurité généraux pour les outils électriques ».

Dans ces consignes de sécurité, des termes tels que meulage/broyeur, ponçage/ponceuse, broissage métallique/brosse métallique, polissage/polisseuse ou outil à tronçonner/de tronçonnage sont sélectionnés selon les spécifications du fabricant. Ces termes dans les avertissements et les titres doivent être utilisés ou supprimés de manière constante en fonction des opérations sélectionnées. Les conjonctions « et »/« ou » peuvent être utilisées selon le cas.

Si l'outil électrique est destiné uniquement à l'une des activités répertoriées, le titre de cette section doit être utilisé pour tous les avertissements.

Consignes de sécurité pour l'ensemble des opérations

Avertissements de sécurité communs au meulage, ponçage, broissage métallique, polissage ou découpage :

- 1. Cet outil électrique est destiné à servir de meuleuse, de ponceuse, de brosse métallique, de polisseuse et de découpeuse de trou ou d'outil à tronçonner. Lire l'ensemble des avertissements de sécurité, instructions, illustrations et spécifications fourni avec cet outil électrique.** Le fait de ne pas suivre toutes les instructions figurant dans la liste ci-dessous peut entraîner un risque de choc électrique, d'incendie et/ou de blessures graves.
- 2. Il n'est pas recommandé d'effectuer des travaux tels que le meulage, ponçage, le décapage à la brosse métallique, le polissage, la découpe de trous ou le tronçonnage avec cet outil électrique.** Les travaux pour lesquels l'outil électrique n'a pas été conçu peuvent créer un danger et causer des blessures.
- 3. Ne modifiez pas l'outil électrique pour qu'il fonctionne d'une manière non spécialement conçue et spécifiée par le fabricant de l'outil.** Une telle modification peut entraîner une perte de contrôle et causer des blessures graves.
- 4. N'utilisez pas d'accessoires non spécifiquement conçus et indiqués par le fabricant de l'outil.** Le simple fait que l'accessoire puisse être fixé à votre outil électrique, ne garantit pas un fonctionnement sécurisé.
- 5. La vitesse nominale de l'accessoire**

doit être au moins égale à la vitesse maximale indiquée sur l'outil électrique.

Les accessoires fonctionnant plus vite que leur vitesse nominale peuvent se briser et voler en éclats.

- 6. Le diamètre extérieur et l'épaisseur de votre accessoire doivent correspondre à la capacité nominale de votre outil électrique.** Les accessoires mal dimensionnés ne peuvent pas être protégés ou contrôlés de manière adéquate.
- 7. Les dimensions de fixation de l'accessoire doivent correspondre à celles du matériel de fixation de l'outil électrique.** Les accessoires qui ne correspondent pas au matériel de montage de l'outil électrique seront déséquilibrés, vibreront excessivement et peuvent entraîner une perte de contrôle.
- 8. N'utilisez pas un accessoire endommagé. Avant chaque utilisation, examinez l'accessoire comme le disque abrasif pour détecter la présence d'ébréchantures et de fissures, la plaque de presse pour repérer des traces de fissures, de détérioration ou d'usure excessive, et la brosse métallique pour s'assurer que les fils ne soient ni détachés ni fissurés. Si l'outil électrique ou l'accessoire est tombé, vérifiez s'ils sont endommagés ou installez un accessoire neuf. Après avoir inspecté et installé un accessoire, tenez-vous éloigné et demandez aux personnes autour de vous de se placer loin du plan de l'accessoire rotatif et faites fonctionner l'outil électrique à la vitesse maximale à vide pendant une minute.** Les accessoires endommagés se briseront normalement pendant ce test.
- 9. Portez un équipement de protection individuelle. Selon l'application, utiliser un écran facial, un masque de sécurité ou des lunettes de sécurité. Le cas échéant, porter un masque anti-poussière, des protections auditives, des gants et un tablier d'atelier capable d'arrêter de petits fragments abrasifs ou de pièces découpées.** La protection oculaire doit être capable d'arrêter les débris projetés lors de divers travaux. Le masque anti-poussière ou le respirateur doit être capable de filtrer les particules se dégageant lors de vos travaux. Une exposition prolongée à un bruit de forte intensité peut entraîner une perte auditive.

10. Tenez l'outil électrique uniquement par les parties de préhension isolées. Lorsque vous travaillez sur des surfaces où l'outil de coupe peut être en contact avec des câbles cachés.

Le contact avec un fil sous tension peut électrifier les parties métalliques exposées de l'outil électrique et l'opérateur risque de s'électrocuter.

11. Positionnez le cordon loin de l'accessoire rotatif. Si vous perdez le contrôle, le cordon peut être coupé ou coupé et votre main ou votre bras peut être attiré dans l'accessoire rotatif.

12. Ne reposez jamais l'outil électrique avant que l'accessoire ne soit complètement immobile. L'accessoire rotatif risque d'agripper la surface et d'arracher l'outil électrique que vous ne pourriez alors plus maîtriser.

13. Ne faites pas fonctionner l'outil électrique en le portant sur le côté. Un contact accidentel avec l'accessoire rotatif pourrait accrocher vos vêtements et attirer l'accessoire vers vous.

14. Nettoyez régulièrement les bouches d'aération de l'outil électrique. Le ventilateur du moteur aspirera la poussière à l'intérieur du boîtier et une accumulation excessive de métal en poudre peut entraîner des risques électriques.

15. N'utilisez pas l'outil électrique à proximité de matériaux inflammables. Des étincelles pourraient enflammer ces matériaux.

16. N'utilisez pas d'accessoires nécessitant de liquides de refroidissement. L'utilisation d'eau ou d'autres liquides de refroidissement peut entraîner une électrocution ou un choc électrique.

Consignes de sécurité supplémentaires pour tous les travaux

Reculs et avertissements correspondants :

Le recul est une réaction soudaine d'un disque, d'une plaque de presse, d'une brosse ou de tout autre accessoire en rotation coincé ou accroché. Le pincement ou l'accrochage provoque un blocage rapide de l'accessoire en rotation qui, à son tour, amène l'outil électrique hors de contrôle à suivre le sens opposé au sens de rotation de l'accessoire au point du grippage.

Par exemple, si un disque abrasif est accroché ou coincé par la pièce à usiner, le bord du disque qui pénètre dans le point de pincement peut creuser dans la surface du matériau, provoquant la remontée ou le recul du disque. Le disque peut sauter en direction de l'opérateur ou en s'en éloignant, selon le sens du mouvement du disque au point de pincement. Les disques abrasifs

peuvent également se briser dans ces conditions. Le recul est le résultat d'une mauvaise utilisation de l'outil électrique et/ou de procédures ou conditions d'utilisation incorrectes et il peut être évité en prenant les précautions appropriées comme indiqué ci-dessous.

1. Tenez l'outil électrique bien fermement des deux mains et maintenez le corps et les bras dans une position permettant de résister aux forces de recul. Utilisez toujours la poignée auxiliaire, si elle est fournie, pour un contrôle maximal du recul ou du couple lors de l'allumage.

L'opérateur peut contrôler le recul et le couple si les précautions appropriées sont prises.

2. Ne placez jamais votre main à proximité de l'accessoire rotatif. L'accessoire peut revenir sur votre main soudainement (recul).

3. Ne placez pas votre corps dans la zone où l'outil électrique se déplacera en cas de recul. Le recul pousse l'outil dans le sens opposé au mouvement du disque au point d'accrochage.

4. Apportez un soin particulier lors de travaux dans les coins, les arêtes vives etc. Évitez que l'accessoire ne rebondisse et n'accroche. Les coins, les arêtes vives ou les rebondissements ont tendance à accrocher l'accessoire rotatif et à provoquer une perte de contrôle ou un recul.

5. Ne fixez pas de chaîne de scie, de lame de sculpture sur bois, de disque diamant segmenté sur un espace périphérique supérieur à 10 mm ou une lame de scie dentée. Ces lames provoquent des reculs fréquents et une perte de contrôle.

Consignes de sécurité supplémentaires pour le meulage et le tronçonnage

Avertissements de sécurité spécifiques pour le meulage et le tronçonnage :

1. Utilisez uniquement les types de disques indiqués pour votre outil électrique et la protection spécifique conçue pour le disque choisi. Les disques pour lesquels l'outil électrique n'a pas été conçu ne peuvent pas être protégés de manière adéquate et ne sont pas sûrs.

2. La surface de meulage des disques à centre abaissé doit être montée sous le plan de la lèvre de protection. Un disque mal monté qui dépasse du plan de la lèvre de protection ne peut pas être correctement protégé.

3. La protection doit être solidement fixée à l'outil électrique et positionnée pour une sécurité maximale afin que l'opérateur soit le moins exposé possible au disque. La protection aide à protéger

l'opérateur contre les fragments de disques cassés, le contact accidentel avec le disque et les étincelles qui pourraient enflammer les vêtements.

4. **Les disques ne doivent être utilisés que dans les cas conseillés. Par exemple : ne pas meuler avec le côté d'un disque de coupe.** Les disques abrasifs sont destinés au meulage périphérique, les forces latérales appliquées à ces disques peuvent les briser.
5. **Utilisez toujours des brides de disque non endommagées dont la taille et la forme correspondent au disque sélectionné. Des brides de disque appropriées soutiennent le disque, réduisant ainsi le risque de rupture du disque.** Les brides des tronçonneuses peuvent être différentes des brides des meuleuses.
6. **N'utilisez pas des disques usés issus d'outils électriques plus grands.** Un disque destiné à un outil électrique plus grand ne convient pas à la vitesse supérieure d'un outil plus petit et peut éclater.
7. **Lorsque vous utilisez des disques à meuler à double usage, utilisez toujours la protection appropriée pour le travail à effectuer.** L'utilisation d'une protection inappropriée risque de compromettre le niveau de protection voulu et d'occasionner de graves blessures.

Informations sur le bruit/les vibrations

Valeurs d'émission sonore déterminées selon EN 62841-2-3.

Typiquement, le niveau de bruit pondéré A de l'outil électrique est : Niveau de pression acoustique 83 dB(A) ; niveau de puissance acoustique 94 dB(A). Incertitude K = 5 dB.
Portez des protections auditives !

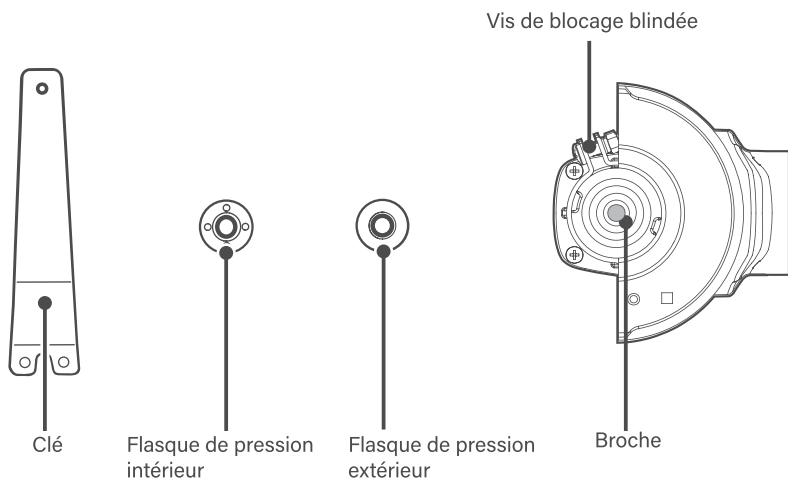
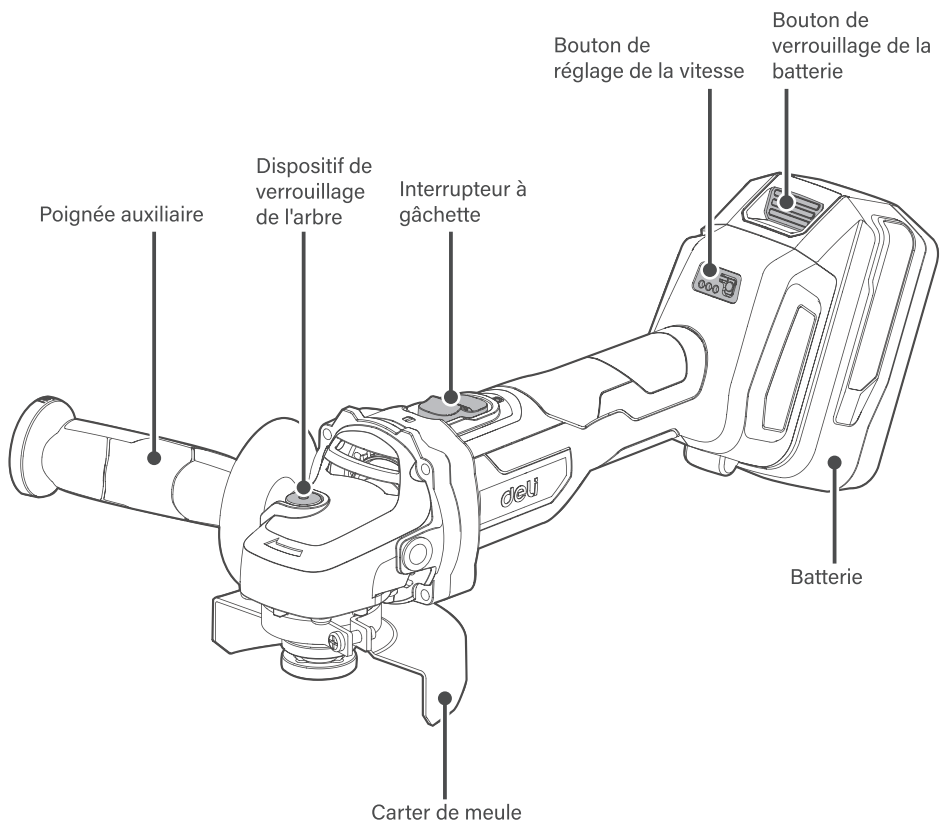
Valeurs totales de vibration ah (somme vectorielle triaxiale) et incertitude K déterminées selon la norme EN 62841-2-3 :

Perçage dans le métal : $ah = 4,5/s^2$, $K = 1,5/s^2$ Le niveau de vibrations et la valeur d'émissions de bruit donnés dans ces instructions ont été mesurés selon une procédure de mesure standard et peuvent être utilisés pour comparer des outils électriques. Ils peuvent également être utilisés dans le cadre d'une évaluation préliminaire des vibrations et des émissions de bruit.

La valeur d'émissions de bruit et le niveau de vibrations indiqués correspondent aux principales applications de l'outil électrique. Cependant, si l'outil électrique est utilisé pour d'autres applications, avec des outils d'application différents, ou que son entretien s'avère insuffisant, la valeur d'émissions de bruit et le niveau de vibrations peuvent différer. Cela peut considérablement augmenter les émissions de bruit et les vibrations sur toute la période de travail.

Pour estimer avec précision les émissions de bruit et les vibrations, les moments où l'outil est arrêté ou fonctionne, mais pas réellement utilisé, doivent également être pris en compte.

Cela peut considérablement réduire les émissions de bruit et les vibrations sur toute la période de travail. Mettez en œuvre des mesures de sécurité supplémentaires pour protéger l'opérateur des effets des vibrations, telles que l'entretien de l'outil électrique et des outils d'application, maintenir au chaud les mains et l'organisation correcte des périodes de travail.



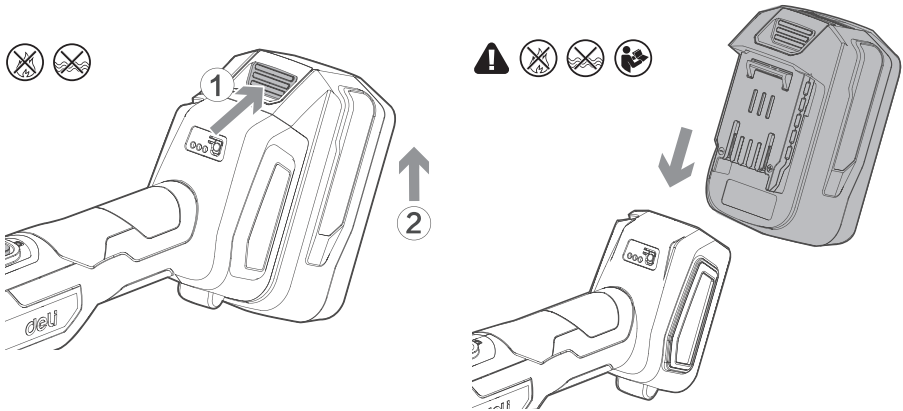
Certains des accessoires mentionnés dans les illustrations ou le texte ne sont pas inclus dans la livraison.

Consignes de fonctionnement

Remarque : Lisez le mode d'emploi avant d'utiliser.

1 Installer ou retirer la batterie

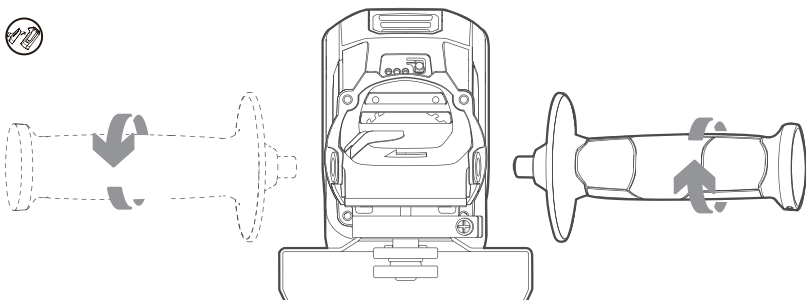
Lorsque vous installez ou retirez la batterie, veuillez vous assurer que l'outil est arrêté ;
Pour retirer la batterie, appuyez sur le bouton au-dessus de la batterie tout en la retirant de l'outil ;
Lorsque vous installez la batterie, alignez la tige sur la batterie avec la rainure sur le boîtier de l'outil, puis faites-la glisser en place. Insérez-la complètement en place jusqu'à ce que la batterie se verrouille et s'enclenche. Si elle n'est pas installée correctement, la batterie peut se détacher de l'outil, provoquant alors des blessures corporelles.



2 Installation de la poignée auxiliaire

Avertissement !

Avant de régler ou de vérifier le fonctionnement de l'outil, n'oubliez pas de couper l'alimentation et de retirer la batterie.

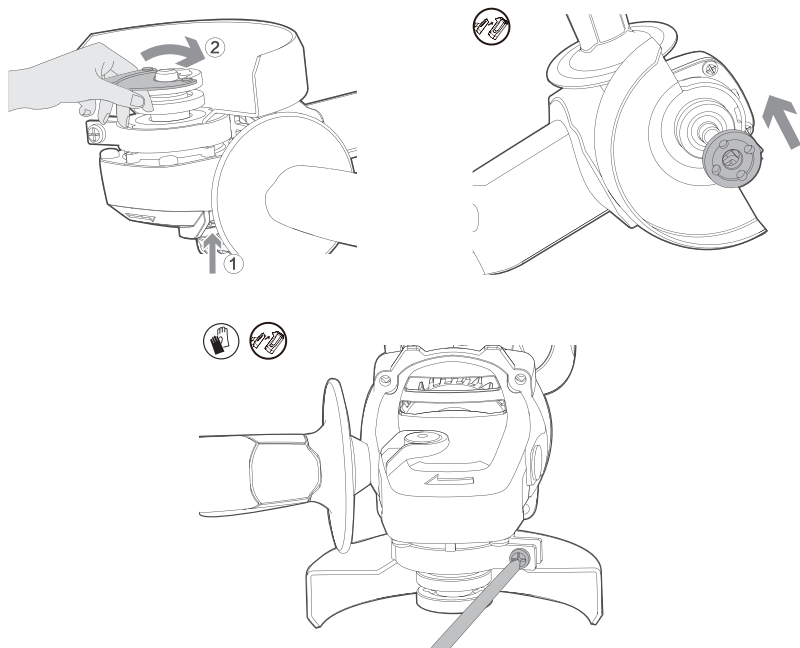


3 Installation du disque de coupe/meulage

Avertissement ! Avant d'installer le disque de coupe/meulage, coupez toujours l'alimentation de l'outil et retirez la batterie.

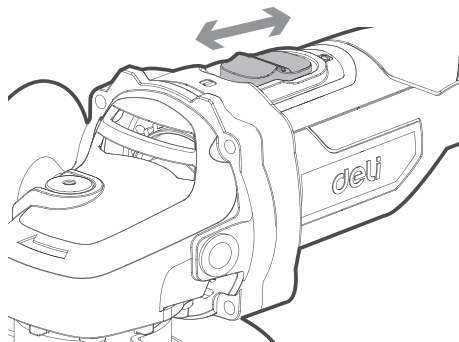
Attention ! Lorsque vous utilisez le disque de coupe/meulage, n'oubliez pas d'installer correctement le carter de meule.

Placez le carter de meule dans la rainure du collet de la broche, puis vissez-le à la position de travail souhaitée. Fixez le carter de meule à l'aide des vis. Le disque de meulage doit pouvoir tourner librement dans le carter. Assurez-vous que le côté fermé du carter de meule soit toujours orienté vers l'opérateur.

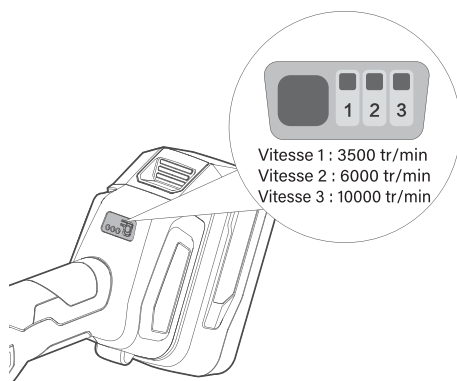


4 Fonctionnement

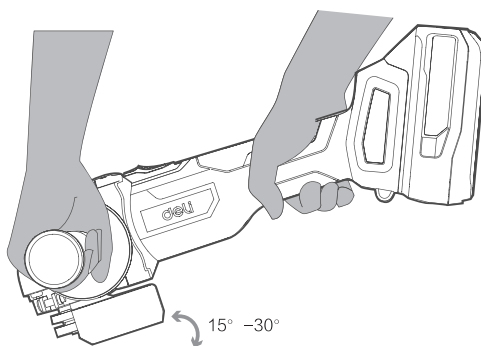
Allumer/Éteindre l'outil



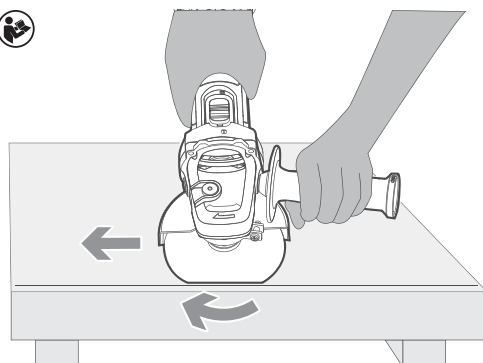
Réglage de la vitesse



Procédé pour saisir l'outil



Opérations de coupe



Précautions d'emploi

1. La vitesse peut être réglée grâce au bouton de réglage de la vitesse.
2. N'augmentez pas la friction entre le disque de meulage et la pièce à usiner pour améliorer l'efficacité, la vitesse de rotation du disque de meulage diminuera et le temps d'intervention sera prolongé.
3. Allumez l'outil et usinez la pièce à l'aide du disque de meulage. Le bord du disque de meulage doit généralement maintenir un angle de 15° par rapport à la surface de la pièce à usiner. Pendant la phase de rodage du nouveau disque de meulage, ne maniez pas le disque vers l'avant, sinon, il coupera la pièce à usiner. Une fois le bord du disque de meulage arrondi après l'utilisation, il peut être manié vers l'avant ou vers l'arrière.
4. Ne modifiez pas l'angle du disque de meulage pendant les opérations de coupe. Une pression latérale exercée sur le disque de coupe (pendant les opérations de meulage) peut fissurer et endommager le disque, entraînant des blessures graves. Pendant l'opération, le disque diamant doit être perpendiculaire au matériau à couper.
5. Pour couper des matériaux plus durs, essayez d'utiliser un disque diamant le plus souvent possible.
6. En cas de surchauffe importante lors de l'utilisation d'un disque diamant, des étincelles apparaîtront autour du disque rotatif. À ce moment-là, arrêtez d'utiliser le disque et laissez-le tourner à vide pendant 2-3 minutes pour le refroidir.
7. Assurez-vous que la pièce à usiner est bien serrée et ne bouge pas.

Carte de garantie du produit

Chers utilisateurs:

Merci d'avoir acheté nos produits. Afin de garantir leur achat, les utilisateurs de nos produits peuvent contacter un distributeur local ou des centres de réparation spécifiés, munis de la facture et de la carte de garantie en cas de défaillance du produit due à de problèmes de qualité.

Notice de garantie:

1. Valide du _____ (jour, mois, année) au _____ (jour, mois, année) Si la panne survient dans le cadre d'une utilisation normale, notre société fournira une garantie gratuite, un remplacement de pièces et d'autres services en fonction de la panne.
2. Cette carte de garantie et la facture d'achat servent de bon de réparation pour le service après-vente fourni par notre société aux clients. La carte ne doit être renseignée qu'en remplissant le formulaire suivant et en apposant le sceau officiel du distributeur.
3. Dans l'un des cas suivants, le service de garantie gratuit sera annulé et des frais d'intervention seront demandés:
 - (1) Dépassement de la date d'expiration.
 - (2) Défaillance ou dommage causé par le non-respect des exigences du manuel du produit, un entretien ou un stockage inapproprié.
 - (3) Défaillance ou dommage causé par le démontage, la réparation ou la modification du produit sans l'autorisation de notre société.
 - (4) Panne de la machine ou dommage causé par un cas de force majeure.
 - (5) Accessoires consommables.

Cette carte est livrée avec le produit. Une carte pour une machine, pour vous assurer que vous pouvez profiter pleinement du droit au service de garantie gratuit fourni par l'entreprise. Veuillez conserver cette carte correctement. En cas de perte, elle ne sera pas remplacée.

Date d'achat : _____ (jour, mois, année)

Certificat de produit

Inspecteur:

01

Date de fabrication:

NINGBO DELI TOOLS CO., LTD.
No. 128 Chezhan West Road, Huangtan Town,
Ninghai County, Ningbo, Zhejiang, China
delitoolsglobal@nbdeli.com
www.delitoolsglobal.com
+86 574 87562689
MADE IN CHINA



Especificaciones

Modelo	DE-JM20-1 DE-JM20-1X ...	DE-JM20-2 DE-JM20-2X ...	DE-JM20-3 DE-JM20-3X ...
Tensión nominal	20V		
Tamaño del disco	100 mm	125 mm	115 mm
Rosca del husillo	M10	M14	
Velocidad sin carga	0-3500/6000/10000/min		
Peso de la máquina (herramienta desnuda)	1.18 kg	1.2 kg	

X=A2, A4, D2, D4..., solo se usan para diferentes clientes, no hay cambios relacionado con la seguridad entre estos modelos.












La capacidad inicial de la batería puede ser de hasta 20,8 V y el valor en condiciones de uso normal es de 18 V.

⚠ ¡Advertencia! Utilice únicamente las baterías y cargadores indicados. El uso de otros tipos de baterías o cargadores puede provocar lesiones personales y/o incendio.

Se recomienda seleccionar los accesorios de la tienda en la que se compró la herramienta eléctrica. Seleccione los accesorios correctos para su trabajo. Consulte el paquete de accesorios para obtener más uso y ayuda.

Batería	DE-DC20A2	2.0Ah
	DE-DC20A3	2.5Ah
	DE-DC20A4	4.0Ah
	DE-DC20A5	5.0Ah
	DE-DC20A6	6.0Ah
	DE-DC20B8	8.0Ah
Cargador	DE-CD20A2E	Cargador individual de 2A
	DE-CD20D4E	Cargador doble de 4A
	DE-CD20A8E	Cargador individual de 8A

Símbolos

 Lea las instrucciones	 Símbolos de advertencia	 Lleve guantes protectores	 No la ponga en agua
 Lleve orejeras protectoras	 Lleve gafas protectoras	 Lleve máscaras protectoras	 No la ponga en fuego
 Retire la batería antes de reemplazar cualquier accesorio		 Las baterías contienen iones de litio. Para proteger el medio ambiente, las baterías desechadas deben ser clasificadas y recicladas, y no deben ser desechadas a la basura.	
 Certificado de unión aduanera			

Instrucciones originales

ADVERTENCIAS GENERALES DE SEGURIDAD PARA HERRAMIENTAS ELÉCTRICAS

ADVERTENCIA Lea con atención todas las advertencias de seguridad, instrucciones, ilustraciones y especificaciones proporcionadas con esta herramienta eléctrica. No seguir las instrucciones indicadas a continuación puede tener como resultado una descarga eléctrica, un incendio y/o lesiones graves. **Guarde todas las advertencias e instrucciones para referencia futura.**

El uso del término «herramienta eléctrica» en las advertencias de seguridad se refiere a herramientas eléctricas conectadas a la red (con cable) o a batería (sin cable).

Seguridad del área de trabajo

1. **Mantenga el área de trabajo limpia y bien iluminada.** Las áreas abarrotadas y oscuras propician accidentes.
2. **No utilice la herramienta eléctrica en un entorno con peligro de explosión, en el que se encuentren combustibles líquidos, gases o material en polvo.** Las herramientas eléctricas generan chispas que pueden encender el polvo y los vapores inflamables.
3. **Mantenga a los niños y transeúntes alejado del área cuando utilice la herramienta eléctrica.** Las distracciones pueden hacerle perder el control de la máquina.

Seguridad eléctrica

1. **El enchufe de la herramienta eléctrica debe ser compatible con la toma de corriente. No modifique nunca la clavija de enchufe de ninguna forma. No utilice ningún enchufe adaptador con herramientas eléctricas conectadas a masa (conectadas a tierra).** Los enchufes no modificados y que se adaptan a las tomas de corriente reducirán el riesgo de descarga eléctrica.
2. **Evite el contacto del cuerpo con superficies conectadas a masa o tierra, por ejemplo, tuberías, radiadores, estufas y refrigeradores.** Si su cuerpo está puesto a masa o tierra existe un mayor riesgo de que se produzca una descarga eléctrica.
3. **No exponga la herramienta eléctrica a condiciones húmedas o a lluvia.** El riesgo de recibir descargas eléctricas aumenta si penetra agua en la herramienta eléctrica.
4. **No haga mal uso del cable. Nunca use el cable para transportar, tirar o desenchufar la herramienta eléctrica. Mantenga el cable alejado del calor, de**

- aceite y de piezas móviles o con bordes afilados.** Los cables dañados o enredados pueden aumentar el riesgo de descarga eléctrica.
5. **Cuando utilice la herramienta eléctrica en el exterior, use un cable alargador adecuado para uso en exterior.** El uso de un cable adecuado para uso en exterior reduce el riesgo de descarga eléctrica.
 6. **Si no es posible evitar usar una herramienta eléctrica en condiciones húmedas, utilice una fuente de alimentación protegida por un interruptor diferencial (ID).** El uso de un ID reduce el riesgo de descarga eléctrica.

Seguridad personal

1. **Al utilizar una herramienta eléctrica, esté atento, concéntrese en lo que hace y use el sentido común. No utilice la herramienta eléctrica si está cansado o bajo los efectos del alcohol, las drogas o los medicamentos.** Un momento de distracción mientras se utiliza la herramienta eléctrica puede tener como resultado lesiones personales graves.
2. **Use el equipo de protección individual. Lleve siempre protección ocular.** El uso de un equipo de protección adecuado como una mascarilla antipolvo, zapatos de seguridad con suela antideslizante, casco o protectores auditivos para las condiciones que lo requieran reducirá las lesiones personales.
3. **Evite un arranque involuntario. Asegurarse de que el interruptor está en posición de apagado antes de conectar la herramienta a la toma de corriente y/o al insertar el paquete de batería, al recogerla, y al transportarla.** Transportar la herramienta eléctrica con el dedo apoyado sobre el interruptor o enchufar la herramienta eléctrica con el interruptor en la posición de encendido puede propiciar accidentes.
4. **Retire cualquier llave de ajuste o herramienta antes de encender la herramienta eléctrica.** Una herramienta o llave colocada en una pieza giratoria de la herramienta eléctrica puede provocar lesiones personales.
5. **No se estire demasiado. Apoye bien los pies y mantenga el equilibrio en todo momento.** Esto mejorará el control de la herramienta eléctrica en situaciones imprevistas.
6. **Lleve la ropa adecuada. No lleve ropa holgada ni joyas. Mantenga el pelo y la ropa alejada de las piezas móviles.** La ropa holgada, las joyas, o el pelo largo pueden engancharse en las partes en movimiento.

7. **Si los dispositivos están provistos de conexión para aspiración de polvo y dispositivos de recolección, asegúrese de que están conectadas y se utilizan correctamente.** El uso de un colector de polvo puede reducir los peligros relacionados con el polvo.
8. **No deje que la familiaridad obtenida por el uso frecuente de la herramienta se vuelva algo habitual o haga que ignore los principios de seguridad de la herramienta.** Una acción descuidada puede provocar lesiones graves en una fracción de segundos.
7. **Utilice la herramienta eléctrica, los accesorios y las brocas de herramienta, etc. de acuerdo con estas instrucciones, teniendo en cuenta las condiciones de trabajo y el trabajo que se vaya a realizar.** La utilización de la herramienta eléctrica para trabajos para los que no ha sido concebida puede dar lugar a situaciones de peligro.
8. **Mantenga las asas y las superficies de agarre secas, limpias y libres de aceite y grasa.** Las asas y superficies de agarre resbaladizas impiden manejar y controlar la herramienta eléctrica con seguridad en situaciones imprevistas.

Uso y cuidado de la herramienta eléctrica

1. **No fuerce la herramienta eléctrica. Utilice la herramienta eléctrica prevista para el trabajo a realizar.** El trabajo se hace mejor y más seguro usando la herramienta eléctrica correcta con la velocidad para la que ha sido diseñada.
2. **No utilice la herramienta eléctrica si el interruptor no puede encenderla o apagarla.** Una herramienta que no pueda controlarse con el interruptor es peligrosa y debe repararse.
3. **Desconecte el enchufe de la toma de corriente y/o retire el paquete de baterías, si es desmontable, de la herramienta eléctrica antes de realizar cualquier ajuste, cambiar los accesorios o almacenar la herramienta.** Tales medidas preventivas de seguridad reducen el riesgo de arrancar la herramienta eléctrica accidentalmente.
4. **Almacene las herramientas que no utiliza fuera del alcance de los niños y no permita que las personas no familiarizadas con la herramienta eléctrica o estas instrucciones utilicen la herramienta eléctrica.** Las herramientas son peligrosas en manos de personas inexpertas.
5. **Mantenga la herramienta eléctrica y los accesorios. Compruebe si las partes móviles están alineadas o fijas, si no hay piezas rotas o cualquier otro problema que pueda afectar el rendimiento de la herramienta eléctrica. Si hay daños, repare la herramienta eléctrica antes de utilizarla.** Se ocasionan muchos accidentes por el mal mantenimiento de las herramientas eléctricas.
6. **Mantenga las herramientas de corte afiladas y limpias.** Las herramientas de corte con mantenimiento adecuado y con los bordes de corte afilados son menos propensas a trabarse y son más fáciles de controlar.

Uso y cuidado de la herramienta a batería

1. **Cargue solamente con el cargador especificado por el fabricante.** Un cargador adecuado para un tipo de batería puede crear un riesgo de incendio al utilizarlo con otras baterías.
2. **Utilice la herramientas eléctricas solamente con las baterías específicamente diseñadas para ellas.** El uso de cualquier otra batería puede crear un riesgo de incendio o lesión.
3. **Cuando la batería no esté en uso, manténgala alejada de los objetos metálico, como clips de papel, monedas, llaves, clavos, tornillos u otros objetos metálicos pequeños que puedan realizar una conexión de un terminal a otro.** El cortocircuito en los terminales de la batería puede provocar quemaduras o incendios.
4. **En condiciones abusivas, el líquido puede ser expulsado de la batería.** Evite su contacto. En caso de contacto accidental, enjuague con agua. Si el líquido entra en contacto los ojos, solicite ayuda médica. El líquido expulsado de la batería puede causar irritaciones y quemaduras.
5. **No utilice baterías o herramientas que están dañadas o modificadas.** Las baterías dañadas o modificadas pueden tener un comportamiento imprevisible y provocar incendios, explosiones o riesgo de lesiones.
6. **No exponga la batería o la herramienta al fuego o temperatura excesiva.** La exposición al fuego o temperatura superior a 130 °C puede causar una explosión.
7. **Siga todas las instrucciones de carga y no cargue la batería o la herramienta fuera del intervalo de temperatura especificado en las instrucciones.** Una carga incorrecta o fuera del intervalo de temperatura especificado puede dañar la batería o aumentar el riesgo de incendio.

Mantenimiento

- 1. El mantenimiento debe ser realizado por el personal de reparación cualificado utilizando solo repuestos idénticos.** Esto garantizará que se mantenga la seguridad de la herramienta eléctrica.
- 2. Nunca realice trabajos de mantenimiento de baterías dañadas.** Cualquier mantenimiento de las baterías debe ser realizado por el fabricante o centros de servicio autorizados.

Instrucciones de seguridad adicionales para amoladoras, pulidoras de disco y lijadoras de disco

Generalidades

Este apartado se puede imprimir por separado de las «Advertencias generales de seguridad para herramientas eléctricas».

En estas instrucciones de seguridad se han seleccionado términos como de amolar/amoladora, lijado/liadora, cepillado con alambre/cepillo de alambre, pulido/pulidora y tronzado/herramienta de corte tal y como lo especifica el fabricante. Estos términos empleados en las advertencias y encabezados deben utilizarse y eliminarse consecuentemente según las operaciones seleccionadas. Las conjunciones «y»/«o» pueden utilizarse según proceda.

Si la herramienta eléctrica solo está pensada para una de las operaciones enumeradas, el encabezado de esa sección se utilizará para todas las advertencias.

Instrucciones de seguridad para todas las operaciones

Las advertencias de seguridad comunes para operaciones de rectificado, lijado, cepillado con alambre, pulido y tronzado:

- 1. Esta herramienta eléctrica está destinada a funcionar como amoladora, lijadora, cepillo de alambre, pulidora, cortador de agujeros o herramienta de corte. Lea todas las advertencias de seguridad, instrucciones, ilustraciones y especificaciones proporcionadas con esta herramienta eléctrica.** No seguir las instrucciones indicadas a continuación puede tener como resultado una descarga eléctrica, incendios y/o lesiones graves.
- 2. No se debe utilizar esta herramienta para realizar operaciones de desbaste, lijado, cepillado con alambre, pulido, corte de agujeros o tronzado.** La utilización de la herramienta eléctrica en trabajos para los que no ha sido diseñada puede crear peligro o provocar lesiones personales.
- 3. No modifique la herramienta eléctrica para que funcione de una manera para la que no ha sido diseñada y especificada explícitamente por el fabricante de herramientas.** Este tipo de modificación puede resultar en la pérdida de control y provocar lesiones personales graves.
- 4. No utilice accesorios que no hayan sido diseñados específicamente y especificados por el fabricante de la herramienta.** El simple hecho de que el accesorio encaje en la herramienta eléctrica no garantiza un uso seguro.
- 5. La velocidad nominal del accesorio debe ser, al menos, igual a la velocidad máxima indicada en la herramienta eléctrica.** Los accesorios que giran más rápido que la velocidad nominal pueden romperse y saltar en pedazos.
- 6. El diámetro exterior y el espesor de los accesorios deben estar dentro del intervalo de la capacidad de la herramienta eléctrica.** Los accesorios de tamaño incorrecto no pueden protegerse ni controlarse adecuadamente.
- 7. Las dimensiones del montaje del accesorio debe coincidir con las dimensiones de los accesorios de montaje de la herramienta eléctrica.** Los accesorios que no coinciden con los accesorios de montaje de la herramienta eléctrica giran descentrados, vibran en exceso y pueden provocar la pérdida de control.
- 8. No utilice un accesorio dañado.. Antes de cada uso, inspeccione el accesorio, por ejemplo, si los discos abrasivos tienen grietas o roturas, las almohadillas de respaldo tienen grietas, rasgaduras o desgaste excesivo o el cepillo de alambre está suelto o con el metal roto. Si se cae la herramienta o el accesorio, compruebe si ha sufrido algún daño o monte un accesorio en buen estado. Después de inspeccionar e instalar un accesorio, aléjese usted y los transeúntes del plano del accesorio giratorio y haga funcionar la herramienta a velocidad máxima sin carga durante un minuto.** Los accesorios dañados generalmente se romperán durante esta prueba.

9. **Utilice equipo de protección individual. Dependiendo de la aplicación, utilice protector facial, gafas protectoras o gafas de seguridad. Según corresponda, utilice máscara antipolvo, protectores auditivos, guantes y delantal de taller para protegerse de los pequeños fragmentos abrasivos y de los fragmentos de la pieza de trabajo..** La protección ocular debe ser capaz de detener los escombros voladores que se generan en las diferentes operaciones. La mascarilla antipolvo o el respirador debe ser capaz de filtrar las partículas generadas por su operación. La exposición prolongada a la emisión de ruido de alta intensidad puede causar pérdida de audición.
10. **Sujete la herramienta únicamente por las superficies de agarre con aislamiento. Cuando realice una operación en la que la herramienta de corte pueda entrar en contacto con cableado oculto.** El contacto con un «cable activo» puede poner las partes metálicas de la herramienta eléctrica «bajo tensión» y provocar una descarga eléctrica al operador.
11. **Coloque el cable lejos del accesorio giratorio.** En caso de perder el control, el cable podría cortarse o enredarse con el accesorio giratorio y arrastrar su mano o brazo hacia el mismo..
12. **Nunca suelte la herramienta eléctrica hasta que el accesorio se haya detenido por completo.** El accesorio giratorio puede agarrarse en la superficie y tirar de la herramienta eléctrica dejándola fuera de control.
13. **No haga funcionar la herramienta eléctrica mientras la lleve a su lado.** Un contacto accidental con el accesorio giratorio podría enredar su ropa y arrastrar el accesorio hacia su cuerpo.
14. **Limpie periódicamente las aberturas de ventilación de la herramienta eléctrica.** El ventilador del motor atraerá polvo dentro de la carcasa, y la acumulación excesiva de polvo metálico podría producir peligros eléctricos..
15. **No utilice la herramienta eléctrica cerca de materiales inflamables.** Las chispas podrían quemar dichos materiales.
16. **No utilice accesorios que requieran refrigerantes líquidos.** El uso de agua u otro refrigerante líquido podría provocar descarga eléctrica o electrocución.

Instrucciones de seguridad adicionales para todas las operaciones

Contragolpe y advertencias relacionadas:

El contragolpe es una reacción repentina debida a un pellizco o atascamiento del disco giratorio, almohadilla de respaldo, cepillo o cualquier otro accesorio. El pellizco o atascamiento causa una parada rápida del accesorio giratorio que, a su vez, hace que la herramienta eléctrica no controlada se fuerce en la dirección opuesta al giro del accesorio en el punto de atasco.

Por ejemplo, si la pieza de trabajo atasca o pellizca el disco giratorio, el borde del disco que entra en el punto de pellizco puede clavarse en la superficie del material y provocar que el disco salte o un contragolpe. El disco puede saltar hacia el operador o en sentido contrario, según la dirección del movimiento del disco en el punto de pellizco. Los discos abrasivos también podrán romperse en estas condiciones.

El contragolpe es el resultado de un mal uso de la herramienta eléctrica y/o de procedimientos o condiciones de funcionamiento incorrectos y puede evitarse tomando las precauciones necesarias que se proporcionan a continuación.

1. **Mantenga la herramienta eléctrica bien agarrada con las dos manos y coloque el cuerpo y los brazos de forma que le permitan resistir las fuerzas del contragolpe.** Utilice siempre un mango auxiliar, si se proporciona, para el máximo control sobre el contragolpe o la reacción de torsión durante la puesta en marcha. Si se toman las precauciones adecuadas, el operador puede controlar las fuerzas de contragolpe y las reacciones de torsión.
2. **No coloque nunca la mano cerca del accesorio giratorio.** El accesorio puede retroceder bruscamente sobre su mano.
3. **No ubique el cuerpo en el área hacia donde la herramienta eléctrica se desplazará si se produce un contragolpe.** El contragolpe propulsará la herramienta en dirección opuesta al movimiento del disco en el punto de atascamiento.
4. **Tenga especial cuidado al trabajar en esquinas, bordes afilados, etc. Evite el rebote o atascamiento del accesorio.** En las esquinas, bordes afilados o al rebotar, el accesorio giratorio tiende a atascarse provocando pérdida de control y contragolpe.
5. **No coloque una hoja de cadena de sierra para entallar madera, un disco de diamante segmentado con un espacio periférico mayor que 10 mm o una hoja de sierra dentada.** Dichas cuchillas, a menudo, producen contragolpe y pérdida de control.

Instrucciones de seguridad adicionales para operaciones de rectificado y tronzado

Advertencias de seguridad específicas para operaciones de rectificado y tronzado:

- 1. Utilice únicamente los tipos de discos especificados para su herramienta eléctrica y el protector correcto para el disco en cuestión.** Los discos para los que la herramienta eléctrica no está diseñada no pueden protegerse adecuadamente y son inseguros.
- 2. La superficie abrasiva del disco de centro rebajado debe montarse debajo del plano del labio protector.** Un disco mal instalado que se inserta a través del plano del labio protector no puede protegerse adecuadamente.
- 3. El protector debe fijarse de forma segura a la herramienta eléctrica y posicionarse para proporcionar la máxima seguridad, de manera que una mínima parte del disco quede expuesta hacia el operador.** El protector ayuda a proteger al operario frente a los fragmentos de disco que se rompen, el contacto accidental con el disco y las chispas que pueden prender fuego a la ropa.
- 4. Los discos deben utilizarse únicamente para aplicaciones específicas. Por ejemplo: no rectifique con el costado de un disco de corte.** Los discos de corte abrasivos están pensados para esmerilado periférico, fuerzas laterales aplicadas a estos discos pueden provocar que se hagan añicos.
- 5. Utilice siempre rebordes de apriete no dañados y con tamaño y forma adecuados para los discos elegidos.** Un reborde adecuado soporta correctamente el disco reduciendo así el peligro de rotura. Los rebordes para discos de corte pueden ser diferentes de aquellos para los discos de rectificado.
- 6. No utilice discos desgastados de herramientas eléctricas de mayores dimensiones.** La rueda diseñada para una herramienta eléctrica más grande no es adecuada para la velocidad más alta de una herramienta inferior y podría estallar.
- 7. Cuando utilice discos de doble función utilice siempre el protector adecuado para la aplicación que se va a llevar a cabo.** La falta de uso del protector adecuado puede no proporcionar el nivel deseado de protección, lo que puede dar lugar a lesiones graves.

Información sobre ruido y vibración:

Valores de emisión de ruido determinados según la norma EN 62841-2-3.

Por lo general, el nivel de ruido ponderado A de la herramienta eléctrica es: Nivel de presión acústica: 83 dB(A). Nivel de potencia acústica: 94 dB(A).

Incertidumbre: K = 5 dB.

¡Use protección auditiva!

Valores totales de vibración ah (suma de vectores triaxiales) determinados según la norma EN 62841-2-3:

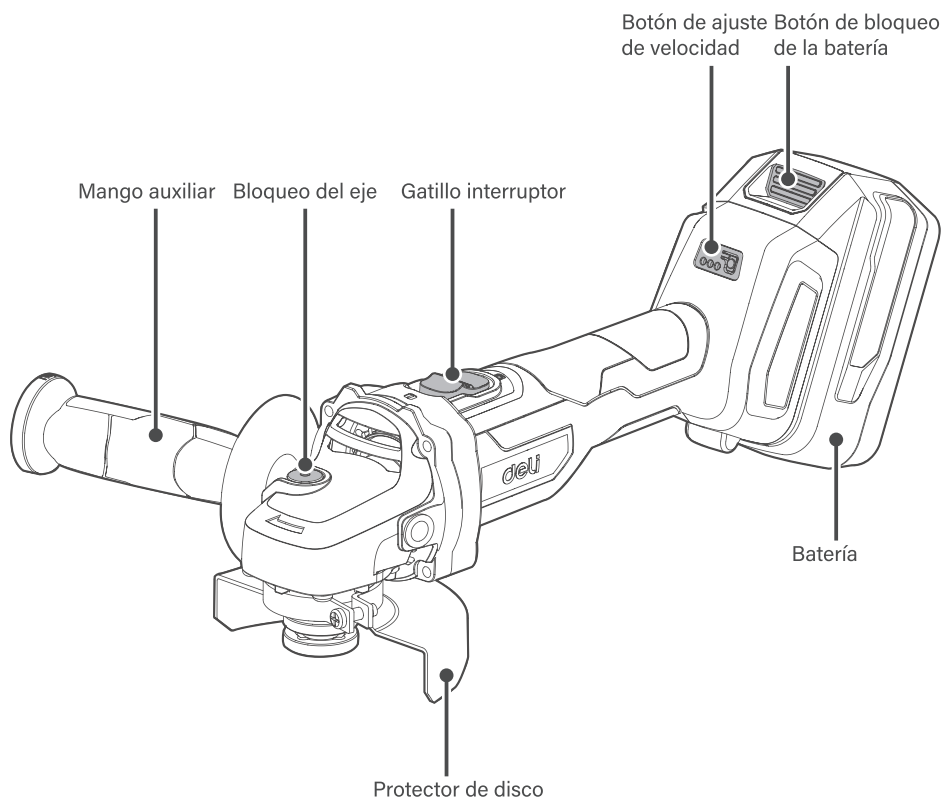
Perforación en metal: ah = 4,5 m/s², K = 1,5 m/s²

El nivel de vibración y el nivel de emisión de ruido indicados en estas instrucciones han sido medidos de acuerdo con un procedimiento de medición normalizado y se pueden utilizar para comparar herramientas eléctricas. También se pueden utilizar para una estimación preliminar de las emisiones de vibración y ruido.

El nivel de vibración y de emisión de ruido indicados representan las aplicaciones principales de la herramienta eléctrica. Sin embargo, si la herramienta eléctrica se usa para otras aplicaciones, con diferentes herramientas de aplicación o se ha efectuado un mantenimiento insuficiente de la herramienta, el nivel de vibración y ruido pueden ser diferentes. Esto puede aumentar notablemente las emisiones de vibración y de ruido durante el tiempo total de trabajo.

Para una estimación exacta de las emisiones de vibración y ruido, deberían tenerse en cuenta también los momentos en los que la herramienta está apagada o bien está en funcionamiento pero sin ser utilizada realmente.

Esto puede reducir notablemente las emisiones de vibración y ruido durante el tiempo total de trabajo. Implemente medidas de seguridad adicionales para proteger al operario de los efectos de las vibraciones, como el mantenimiento de la herramienta eléctrica y las herramientas de aplicación, mantener sus manos calientes y organizar los flujos de trabajo correctamente.



Llave

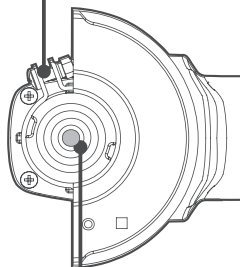


Tuerca de brida interna



Tuerca de brida externa

Tornillo de bloqueo del protector



Husillo

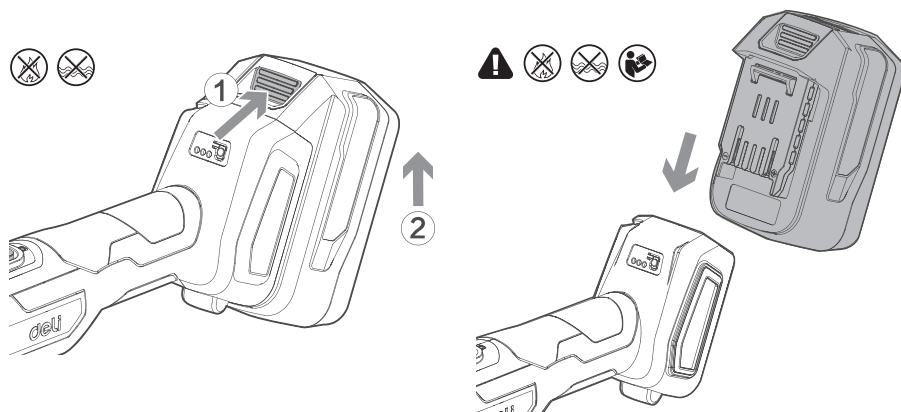
Algunos de los accesorios mencionados en las ilustraciones o en el documento no están incluidos en el volumen de suministro.

Instrucciones de funcionamiento

Nota: Lea el manual de instrucciones antes del uso.

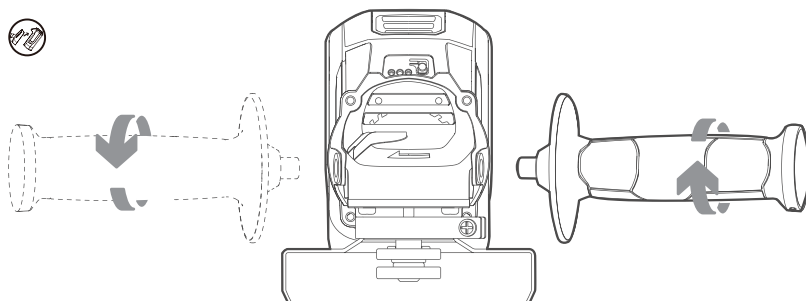
1 Instalar/retirar la batería

Cuando instale o retire la batería, asegúrese de que la herramienta esté en estado de apagado. Cuando retire la batería, pulse el botón sobre la batería mientras la extrae de la herramienta. Cuando instale la batería, alinee la lengüeta de la batería con el surco de la carcasa de la herramienta y luego insértela. Insértela completamente en su lugar hasta que la batería esté bloqueada y haga clic. Si no se instala correctamente, la batería puede desprenderse de la herramienta y provocar lesiones personales.



2 Instalación del mango auxiliar

¡Advertencia!
Antes de ajustar o comprobar la funcionalidad de la herramienta, asegúrese de desconectar la alimentación y retirar la batería.

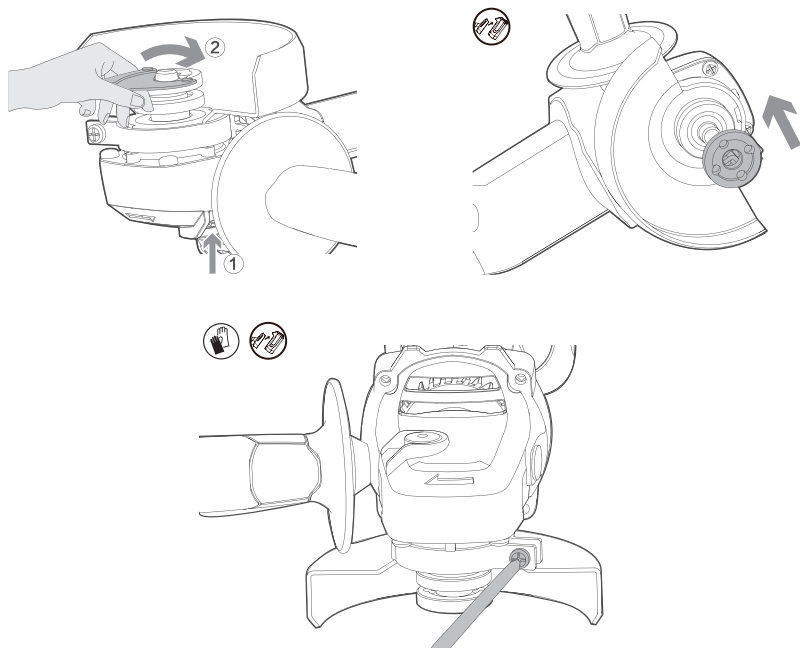


3 Instalación del disco de corte/abrasivo

¡Advertencia! Antes de instalar el disco de corte/abrasivo, desconecte siempre la alimentación de la herramienta y retire la batería.

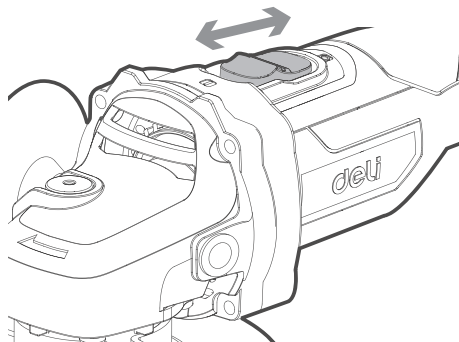
¡Atención! Cuando utilice el disco de corte/abrasivo, asegúrese de instalar el protector de disco correctamente.

Coloque el protector de disco en el surco del husillo y luego atorníllelo en la posición deseada. Asegure el protector de disco con tornillos. La muela abrasiva debe poder girar libremente en el protector. Asegúrese de que el lado cerrado del protector de disco apunte siempre hacia la posición del usuario.

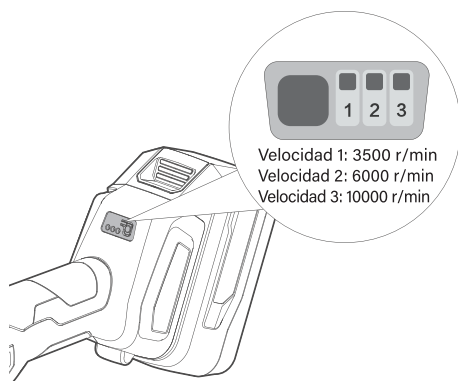


4 Funcionamiento

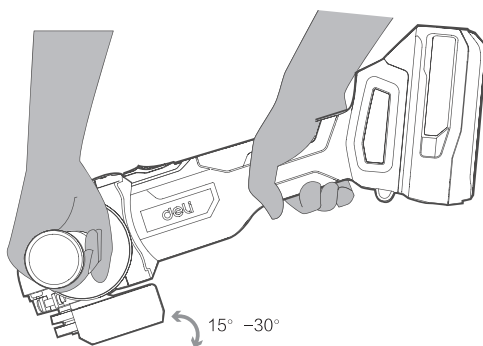
Encender/apagar la herramienta



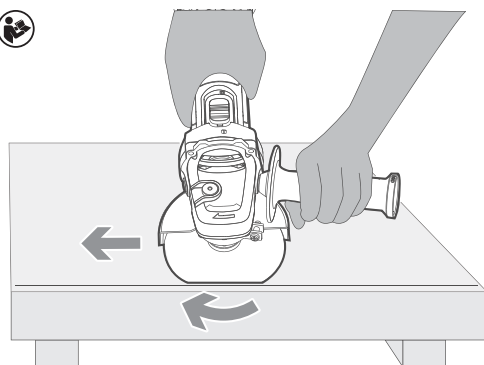
Ajuste de velocidad



Método de agarre de la herramienta



Operaciones de corte



Precauciones de uso

1. La velocidad puede ajustarse mediante el botón de ajuste de velocidad.
2. No aumente la fricción entre la muela abrasiva y la pieza de trabajo para mejorar la eficiencia; la velocidad de giro de la muela abrasiva disminuirá y el tiempo de trabajo se prolongará.
3. Encienda el interruptor de la herramienta y procese la máquina con la muela abrasiva. Por lo general, el borde de la muela abrasiva debe mantener un ángulo de 15° con la superficie de la pieza de trabajo. Durante el periodo de rodaje de la muela abrasiva, no opere la muela en la dirección de avance, de lo contrario, cortará la pieza de trabajo. Una vez que el borde de la muela abrasiva se haya equilibrado después del uso, se puede utilizar en dirección de avance y de retroceso.
4. No cambie el ángulo de la muela abrasiva durante las operaciones de corte. Una presión lateral sobre la rueda de corte (durante las operaciones de desbaste) hará que la muela se agriete y se dañe, lo que provocará graves lesiones personales. Durante la operación, el disco de diamante debe estar perpendicularmente al material que se está cortando.
5. Al cortar materiales más duros, intente usar la muela de corte de diamante tanto como sea posible.
6. Si la muela de corte de diamante se calienta demasiado al utilizarla, aparecerán chispas alrededor de la muela giratoria. En este momento, deje de utilizar la muela y póngala en marcha de 2 a 3 minutos sin carga.
7. Asegúrese de que la pieza de trabajo esté bien sujeta y no se mueva.

Tarjeta de garantía del producto

Estimados usuarios:

Gracias por comprar nuestros productos. Con el fin de garantizar su beneficio, los usuarios que compran nuestros productos pueden ponerse en contacto con el distribuidor local o las estaciones de reparación especificadas con factura(s) y tarjeta(s) de garantía si el producto falla debido a problemas de calidad.

Aviso de garantía:

1. De _____ (Año/Mes/Día) a _____ (Año/Mes/Día), Si la falla ocurre durante el uso normal, nuestra compañía ofrecerá garantía gratuita, reemplazo de piezas y otros servicios de acuerdo con la situación de la falla.
2. Esta tarjeta de garantía y la factura de compra son el comprobante del servicio posventa proporcionado por nuestra empresa a los clientes. La tarjeta debe detallarse solo después de completar el siguiente formulario y colocar el sello oficial del distribuidor.
3. En los siguientes casos, el servicio de garantía gratuito no será válido y se exigirán tarifas de mantenimiento:
 - (1) Exceder la fecha de vencimiento.
 - (2) Fallo o daño causado por no seguir los requisitos del manual del producto o un mantenimiento o almacenamiento inadecuados.
 - (3) Fallo o daño causado por el desmontaje, la reparación o la modificación del producto sin el permiso de nuestra empresa.
 - (4) Avería de la máquina o daños causados por fuerza mayor.
 - (5) Accesorios consumibles.

Esta tarjeta se emite con el producto. Una tarjeta por máquina; para garantizar que pueda disfrutar plenamente del derecho al servicio de garantía gratuito proporcionado por la empresa, guarde esta tarjeta debidamente, la pérdida no será reemplazada.

Fecha de compra: _____ (Año/Mes/Día)

Certificado de producto

Inspector:

01

Fecha de fabricación:

NINGBO DELI TOOLS CO., LTD.
No. 128 Chezhan West Road, Huangtan Town,
Ninghai County, Ningbo, Zhejiang, China
delitoolsglobal@nbdeli.com
www.delitoolsglobal.com
+86 574 87562689
MADE IN CHINA



Especificações

Modelo	DE-JM20-1 DE-JM20-1X ...	DE-JM20-2 DE-JM20-2X ...	DE-JM20-3 DE-JM20-3X ...
Tensão nominal	20V		
Diâmetro do disco	100 mm	125 mm	115 mm
Rosca do fuso	M10	M14	
Velocidade sem carga	0-3500/6000/10000/min		
Peso da máquina(Herramientas desnudas)	1.18 kg	1.2 kg	

X=A2, A4, D2, D4..., estes são utilizados apenas para clientes diferentes, não existem alterações relevantes em termos de segurança entre estes modelos.













A tensão inicial da bateria pode ser de até 20,8 V e o valor em utilização normal é de 18 V.

⚠ Aviso! Utilize apenas os conjunto da bateria e carregadores listados. Utilizar outros tipos de conjuntos da bateria ou carregadores pode provocar ferimentos pessoais e/ou incêndio.

Recomenda-se que selecione os acessórios na loja onde adquiriu a sua ferramenta elétrica. Selecione os acessórios corretos para o seu trabalho. Consulte o pacote de acessórios para obter mais métodos e ajuda para a utilização.

Conjunto da bateria	DE-DC20A2	2.0Ah
	DE-DC20A3	2.5Ah
	DE-DC20A4	4.0Ah
	DE-DC20A5	5.0Ah
	DE-DC20A6	6.0Ah
	DE-DC20B8	8.0Ah
Carregador	DE-CD20A2E	2A de carga única
	DE-CD20D4E	4A de carga dupla
	DE-CD20A8E	8A de carga única

Símbolos

 Leia as instruções	 Sinais de aviso	 Use luvas de proteção	 Não coloque dentro de água
 Use abafadores auriculares de ruído	 Use óculos de proteção	 Use máscaras	 Não coloque no fogo
 Remova o conjunto da bateria antes de substituir os acessórios	 As baterias contém iões de lítio. Para proteger o ambiente, as baterias descarregadas devem ser separadas e recicladas e não devem ser atiradas junto com o lixo doméstico.		
 união aduaneira certificado			

Instruções originais

Avisos gerais de segurança de ferramentas elétricas

AVISO Leia todos os avisos de segurança, instruções, ilustrações e especificações fornecidas com esta ferramenta elétrica.

O não cumprimento de todas as instruções listadas abaixo pode resultar em choque elétrico, incêndio e/ou ferimentos graves.

Guarde todos os avisos e instruções para referência futura.

O termo "ferramenta elétrica" dos avisos refere-se à sua ferramenta elétrica acionada a partir da rede elétrica (com fio) ou à ferramenta elétrica acionada a bateria (sem fio).

Segurança da área de trabalho

- 1. Mantenha a área de trabalho limpa e bem iluminada.** Áreas desorganizadas ou escuras convidam a acidentes.
- 2. Não opere ferramentas elétricas em atmosferas explosivas, tais como na presença de líquidos inflamáveis, gases ou pó.** As ferramentas elétricas criam faíscas que podem incendiar o pó ou os fumos.
- 3. Mantenha as crianças e todos os presentes afastados durante o funcionamento de uma ferramenta elétrica.** As distrações podem causar a perda de controlo.

Segurança elétrica

- 1. As fichas das ferramentas elétricas devem corresponder à tomada. Nunca modifique a ficha de forma alguma. Não utilize fichas adaptadoras com ferramentas elétricas ligadas à terra.** Fichas sem alterações e as tomadas correspondentes reduzirão o risco de choque elétrico.
- 2. Evite o contacto do corpo com superfícies de ligação à terra ou aterradas, tais como tubos, radiadores, grelhas e refrigeradores.** Existe um risco acrescido de choque elétrico se o seu corpo estiver ligado à terra.
- 3. Não exponha ferramentas elétricas a condições de chuva ou humidade.** A entrada de água numa ferramenta elétrica irá aumentar o risco de choque elétrico.
- 4. Não maltrate o cabo. Nunca utilize o cabo para transportar, puxar ou desligar a ferramenta elétrica. Mantenha o cabo longe do calor, óleo, arestas afiadas ou peças móveis.** Os cabos danificados ou enredados aumentam o risco de choque elétrico.
- 5. Ao operar uma ferramenta elétrica ao ar livre, utilize um cabo de extensão adequado para utilização ao ar livre.** A utilização de um cabo adequado para o exterior reduz o risco de choque elétrico.

- 6. Se operar uma ferramenta elétrica num local húmido for inevitável, utilize um dispositivo de corrente residual (DCR) para alimentação protegida.** A utilização de um DCR reduz o risco de choque elétrico.

Segurança pessoal

- 1. Fique atento, observe o que está a fazer e use o bom senso ao operar uma ferramenta elétrica. Não utilize uma ferramenta elétrica quando estiver cansado ou sob a influência de drogas, álcool ou medicamentos.** Um momento de desatenção durante a utilização de uma ferramenta elétrica pode resultar em sérios danos pessoais.
- 2. Utilize equipamento de proteção pessoal. Use sempre equipamento de proteção para os olhos.** O equipamento de proteção, como uma máscara de proteção contra o pó, sapatos de segurança antiderrapantes, capacete ou proteção auditiva utilizados em condições apropriadas, reduzirá os ferimentos pessoais.
- 3. Evite o arranque involuntário. Assegure-se de que o interruptor está na posição de desligado antes de ligar à fonte de alimentação e/ou bateria, e antes de pegar ou transportar a ferramenta.** Transportar ferramentas elétricas com o dedo no interruptor ou ligar a energia de ferramentas elétricas que tenham o interruptor ligado convida a acidentes.
- 4. Remova qualquer chave inglesa ou chave de ajuste antes de ligar a ferramenta elétrica.** Uma chave inglesa ou uma chave de ajuste deixada presa a uma parte rotativa da ferramenta elétrica pode resultar em ferimentos pessoais.
- 5. Não exagere o alcance. Mantenha sempre os pés assentes e o equilíbrio adequado.** Isto permite um melhor controlo da ferramenta elétrica em situações inesperadas.
- 6. Vista-se adequadamente. Não use roupa solta ou joias. Mantenha o cabelo e a roupa longe de peças móveis.** Roupas soltas, joias ou cabelo comprido podem ser apanhados por peças em movimento.
- 7. Se forem fornecidos dispositivos para a ligação de instalações de extração e recolha de pó, certifique-se de que estes estão ligados e são devidamente utilizados.** A utilização de dispositivos de recolha de poeira pode reduzir os perigos relacionados com o pó.
- 8. Não deixe que a familiaridade adquirida com o uso frequente de ferramentas lhe permita tornar-se complacente e ignorar os princípios de segurança das ferramentas.** Uma ação descuidada pode causar lesões graves numa fração de segundo.

Uso e cuidados a ter com ferramentas elétricas

- 1. Não force a ferramenta elétrica. Utilize a ferramenta elétrica correta para a sua aplicação.** A ferramenta elétrica correta fará o trabalho melhor e de forma mais segura ao ritmo para o qual foi concebida.
- 2. Não utilize a ferramenta elétrica se o interruptor não se ligar e desligar.** Qualquer ferramenta elétrica que não possa ser controlada com o interruptor é perigosa e deve ser reparada.
- 3. Desligue a ficha da fonte de alimentação e/ou remova a bateria da ferramenta elétrica, se esta for destacável, antes de fazer quaisquer ajustes, trocar acessórios ou de armazenar as ferramentas elétricas.** Tais medidas preventivas de segurança reduzem o risco de arranque accidental da ferramenta elétrica.
- 4. Armazene as ferramentas elétricas inativas fora do alcance das crianças e não permita que pessoas não familiarizadas com elas ou com estas instruções operem as ferramentas elétricas.** As ferramentas elétricas são perigosas nas mãos de utilizadores não treinados.
- 5. Manutenção das ferramentas elétricas e acessórios. Verifique se há desalinhamento de peças móveis ou se estas estão coladas, se existem peças quebradas e qualquer outra condição que possa afetar o funcionamento da ferramenta elétrica. Em caso de danos, mande reparar a ferramenta elétrica antes de a utilizar.** Muitos acidentes são causados por ferramentas elétricas com manutenção deficiente.
- 6. Mantenha as ferramentas de corte afiadas e limpas.** As ferramentas de corte com arestas cortantes afiadas com manutenção adequada têm menos probabilidades de se colarem e são mais fáceis de controlar.
- 7. Utilize a ferramenta elétrica, acessórios e peças da ferramenta, etc., de acordo com estas instruções, tendo em conta as condições específicas e o trabalho a ser realizado.** A utilização da ferramenta elétrica para operações diferentes daquelas para as quais foi concebida pode resultar numa situação perigosa.
- 8. Mantenha as pegas e as superfícies para agarrar secas, limpas e isentas de óleo e gordura.** As pegas e as superfícies de agarrar escorregadias não permitem um manuseamento e controlo seguros da ferramenta em situações inesperadas.

Utilização e cuidados a ter com baterias

- 1. Recarregue apenas com o carregador especificado pelo fabricante.** Um carregador que é adequado para um tipo de conjunto de baterias pode criar um risco de incêndio quando utilizado com outro conjunto de baterias.
- 2. Utilize ferramentas elétricas apenas com os conjuntos de baterias especificamente designados.** A utilização de outros conjuntos de baterias pode criar um risco de ferimento e incêndio.
- 3. Quando o conjunto de baterias não está a ser utilizado, mantenha afastado de outros objetos de metal, como cliques de papel, moedas, chaves, pregos, parafusos ou outros pequenos objetos de metal, que podem fazer a ligação de um terminal com o outro.** Colocar os terminais da bateria juntos em curto-circuito pode provocar queimaduras ou um incêndio.
- 4. Sob condições abusivas, pode sair líquido da bateria; evite o contacto. Se o contacto ocorrer acidentalmente, lave com água. Se o líquido entrar em contacto com os olhos procure também ajuda médica.** O líquido que derrame da bateria pode provocar irritação ou queimaduras.
- 5. Não utilize um conjunto de baterias ou ferramenta que esteja danificado ou tenha sido modificado.** Baterias danificadas ou modificadas podem apresentar um comportamento inesperado, que resulta em incêndio, explosão ou risco de ferimentos.
- 6. Não exponha o conjunto da bateria ou a ferramenta ao fogo ou a temperaturas excessivas.** A exposição ao fogo ou a temperaturas acima de 130 °C pode provocar explosão.
- 7. Siga todas as instruções de carregamento e não carregue o conjunto de baterias ou a ferramenta fora do intervalo de temperatura especificado nas instruções.** O carregamento inapropriado ou a temperaturas fora do intervalo especificado pode danificar a bateria e aumentar o risco de incêndio.

Manutenção

- 1. Faça a manutenção da sua ferramenta elétrica por um técnico de reparação qualificado, utilizando apenas peças de substituição idênticas.** Isto garantirá que a segurança da ferramenta elétrica é mantida.
- 2. Nunca repare conjuntos de baterias danificados.** A reparação de conjuntos de baterias só deve ser efetuada pelo fabricante ou por prestadores de serviços autorizados.

Instruções de segurança adicionais para rebarbadoras, polidores de disco e lixadoras de disco

Geral

Esta parte pode ser impressa separadamente dos "Avisos gerais de segurança de ferramentas elétricas".

Nestas instruções de segurança, termos como retificadora/esmeriladora, lixar/lixadora, escovar com escova de arame, polir/polidora ou ferramenta de corte/cortadora são selecionados conforme especificado pelo fabricante. Estes termos nos avisos e cabeçalhos devem ser utilizados de forma consistente ou eliminados com base nas operações selecionadas. As conjunções "e"/"ou" podem ser utilizadas conforme apropriado.

Se a ferramenta elétrica se destinar apenas a uma das operações enumeradas, o título dessa secção deve ser utilizado para todos os avisos.

Instruções de segurança para todas as operações
Avisos de segurança comuns para operações de retificação, lixagem, escovagem de arame, polimento ou corte:

1. **Esta ferramenta elétrica destina-se a funcionar como esmeriladora, lixadora, escova de arame, polidora, cortadora de furos ou ferramenta de corte. Leia todos os avisos de segurança, instruções, ilustrações e especificações fornecidas com esta ferramenta elétrica.** O não cumprimento de todas as instruções listadas abaixo pode resultar em choque elétrico, incêndio e/ou ferimentos graves.

2. **Operações como esmerilar, lixar, escovar com escova de arame, polir, fazer cortes ou perfurações não devem ser realizadas com esta ferramenta elétrica.** A realização de operações para as quais a ferramenta elétrica não foi concebida pode criar um perigo e causar ferimentos pessoais.

3. **Não converta esta ferramenta elétrica para funcionar de uma forma para a qual não tenha sido especificamente concebida e que seja especificada pelo fabricante da ferramenta.** Tal conversão pode resultar numa perda de controlo e causar ferimentos pessoais graves.

4. **Não utilize acessórios que não tenham sido especificamente concebidos e especificados pelo fabricante da ferramenta.** Só porque o acessório pode ser ligado à sua ferramenta elétrica, isso não garante um funcionamento seguro.

5. **A velocidade nominal do acessório deve ser, pelo menos, igual à velocidade máxima marcada na ferramenta elétrica.** Os acessórios que funcionem mais depressa do que as suas velocidades nominais podem partir-se e voar.

6. **O diâmetro exterior e a espessura do seu acessório devem estar dentro da capacidade nominal da sua ferramenta elétrica.** Acessórios de dimensões incorretas não podem ser adequadamente guardados ou controlados.

7. **As dimensões do acessório de montagem devem ajustar-se às dimensões dos encaixes de montagem da ferramenta elétrica.** Os acessórios que não correspondem aos encaixes de montagem da ferramenta elétrica ficarão em desequilíbrio, vibrarão excessivamente e poderão causar perda de controlo.

8. **Não utilize um acessório danificado. Antes de cada utilização, inspecione o acessório para ver se existem lascas e rachas nas rodas abrasivas, fissuras, rasgões ou desgaste excessivo em batentes de suporte, arames soltos ou fissurados em escovas de arame. Se uma ferramenta elétrica ou acessório cair, inspecione para detetar danos ou instale um acessório não danificado.**

Depois de inspecionar e instalar um acessório, posicione-se a si e aos presentes longe do plano do acessório rotativo e ponha a ferramenta elétrica a funcionar à velocidade máxima, sem carga, durante um minuto. Os acessórios danificados irão normalmente partir-se durante este período de teste.

9. **Use equipamento de proteção pessoal. Dependendo da aplicação, use proteção facial, óculos ou viseira de proteção. Se for o caso, use máscara de poeira, protetores auditivos, luvas e avental de oficina capazes de travar pequenos fragmentos abrasivos ou das peças de trabalho. A proteção dos olhos deve ser capaz de deter detritos voadores gerados por várias aplicações.** A máscara de poeira ou respirador deve ser capaz de filtrar as partículas geradas pela aplicação específica. A exposição prolongada a ruídos de alta intensidade pode causar perda de audição.

10. **Segure a ferramenta elétrica apenas pelas superfícies de agarrar isoladas. Quando executa uma operação onde a ferramenta de corte pode entrar em contacto com cablagem oculta.** O contacto com um cabo elétrico "sob tensão" irá também colocar "sob tensão" as partes metálicas expostas da ferramenta elétrica e pode causar um choque elétrico ao operador.

11. **Posicione o cabo longe do acessório giratório.** Se perder o controlo, o cabo pode ser cortado ou ficar preso e a sua mão ou braço podem ser puxados para dentro do acessório giratório.

12. **Nunca coloque a ferramenta elétrica no chão antes de o acessório ter parado completamente.** O acessório giratório pode agarrar-se à superfície e puxar a ferramenta elétrica para fora do seu controlo.
 13. **Não faça funcionar a ferramenta elétrica enquanto a transporta na mão.** O contacto acidental com o acessório giratório pode prender a sua roupa, puxando o acessório para o seu corpo.
 14. **Limpe regularmente as aberturas de ventilação da ferramenta elétrica.** A ventoinha do motor irá atrair a poeira para o interior da caixa e a acumulação excessiva de poeiras de metal pode causar riscos elétricos.
 15. **Não acione a ferramenta elétrica perto de materiais inflamáveis.** As faíscas podem provocar a ignição destes materiais.
 16. **Não utilize acessórios que necessitem de líquidos de refrigeração.** A utilização de água ou outros líquidos de refrigeração pode resultar em eletrocussão ou choque.
2. Nunca coloque as suas mãos perto do acessório rotativo. O acessório pode fazer um retorno violento sobre as suas mãos.
 3. Não posicione o seu corpo na área para onde a ferramenta elétrica se moverá se ocorrer um retorno violento. Esse retorno impulsional a ferramenta na direção oposta à do movimento da roda no ponto onde ficou presa.
 4. Tenha especial cuidado ao trabalhar em cantos, arestas vivas, etc. Evite oscilar e prender o acessório. Cantos, arestas vivas ou oscilações têm tendência a prender o acessório giratório e causar perda de controlo ou um retorno violento.
 5. Não fixe uma lâmina de motosserra para madeira, um disco de diamante segmentado com um espaço periférico superior a 10 mm ou uma lâmina de serra dentada. Tais lâminas criam situações frequentes de retorno violento e perdas de controlo.

Mais instruções de segurança para todas as operações

Perigo de retorno violento e avisos relacionados:

O retorno violento (kickback) é uma reação repentina de uma peça rotativa, almofada de suporte, escova ou qualquer outro acessório que ficou preso ou encachado. A prensão provoca um rápido emperramento do acessório rotativo que, por sua vez, faz com que a ferramenta elétrica descontrolada seja forçada na direção oposta à rotação do acessório no ponto de ligação.

Por exemplo, se uma roda abrasiva for agarrada ou ficar presa pela peça, a borda da roda que está a entrar no ponto de aperto pode cavar na superfície do material, fazendo com que a roda suba ou ressalte para fora. A roda pode ressaltar na direção do operador ou para longe, dependendo da direção do movimento da roda no ponto de prensão. As rodas abrasivas também podem partir-se nestas condições.

O retorno violento é resultado de uma má utilização da ferramenta elétrica e/ou de procedimentos ou condições de funcionamento incorretos e pode ser evitado tomando as devidas precauções, como indicado abaixo.

1. **Mantenha a ferramenta firmemente agarrada com ambas as mãos e posicione o corpo e os braços de forma a permitirem-lhe resistir às forças de propulsão.** Utilize sempre uma pega auxiliar, se esta for fornecida, para o máximo controlo sobre a reação de retorno ou sobre o torque durante o arranque. O operador pode controlar as reações de torque ou as forças de propulsão, se forem tomadas as devidas precauções.
2. Nunca coloque as suas mãos perto do acessório rotativo. O acessório pode fazer um retorno violento sobre as suas mãos.
3. Não posicione o seu corpo na área para onde a ferramenta elétrica se moverá se ocorrer um retorno violento. Esse retorno impulsional a ferramenta na direção oposta à do movimento da roda no ponto onde ficou presa.
4. Tenha especial cuidado ao trabalhar em cantos, arestas vivas, etc. Evite oscilar e prender o acessório. Cantos, arestas vivas ou oscilações têm tendência a prender o acessório giratório e causar perda de controlo ou um retorno violento.
5. Não fixe uma lâmina de motosserra para madeira, um disco de diamante segmentado com um espaço periférico superior a 10 mm ou uma lâmina de serra dentada. Tais lâminas criam situações frequentes de retorno violento e perdas de controlo.

Instruções de segurança adicionais para operações de esmerilagem e corte

Avisos de segurança específicos para operações de esmerilagem e corte:

1. **Utilize apenas tipos de esmeris que sejam os especificados para a sua ferramenta elétrica e a proteção específica concebida para o esmeril selecionado.** Rodas para as quais a ferramenta elétrica não foi concebida não podem ser adequadamente vigiadas e não são seguras.
2. **A superfície de esmerilagem das rodas com o centro rebaixado deve ser montada abaixo do plano do rebordo de proteção.** Uma roda mal montada que se projeta para além do plano do rebordo de proteção não pode ser adequadamente protegida.
3. **A proteção deve ser fixada firmemente à ferramenta elétrica e posicionada para máxima segurança, de modo a que a menor quantidade da roda fique exposta na direção do operador.** A proteção ajuda a proteger o operador contra fragmentos de roda partidos, contacto acidental com a roda e faíscas que possam incendiar a roupa.
4. **As rodas devem ser utilizadas apenas para aplicações específicas. Por exemplo: não esmerile com o lado da roda cortado.** Os discos de corte abrasivos destinam-se à retificação periférica e as forças laterais aplicadas a estes discos podem causar o seu estilhaçamento.
5. **Utilize sempre flanges de rodas não danificadas, de tamanho e forma corretos para a sua roda selecionada. Flanges adequadas das rodas suportam a roda, reduzindo assim a possibilidade de quebra da mesma.** As flanges das rodas de corte podem ser diferentes das flanges das rodas de esmerilagem.

6. Não utilize rodas desgastadas de ferramentas elétricas maiores. Uma roda destinada a uma ferramenta elétrica maior não é adequada para a velocidade mais alta de uma ferramenta mais pequena e pode rebentar.

7. Ao utilizar rodas de dupla finalidade, utilize sempre a proteção correta para a aplicação que está a ser executada.
A não utilização da proteção correta pode não proporcionar o nível de proteção desejado, o que pode levar a lesões graves.

Informação sobre ruído/vibração

Valores de emissão de ruído determinados de acordo com a norma EN 62841-2-3.

Normalmente, o nível de ruído ponderado A da ferramenta elétrica é: Nível de pressão sonora 83 dB(A); nível de potência sonora 94 dB(A).
Incerteza K = 5 dB.
Use proteção auditiva!

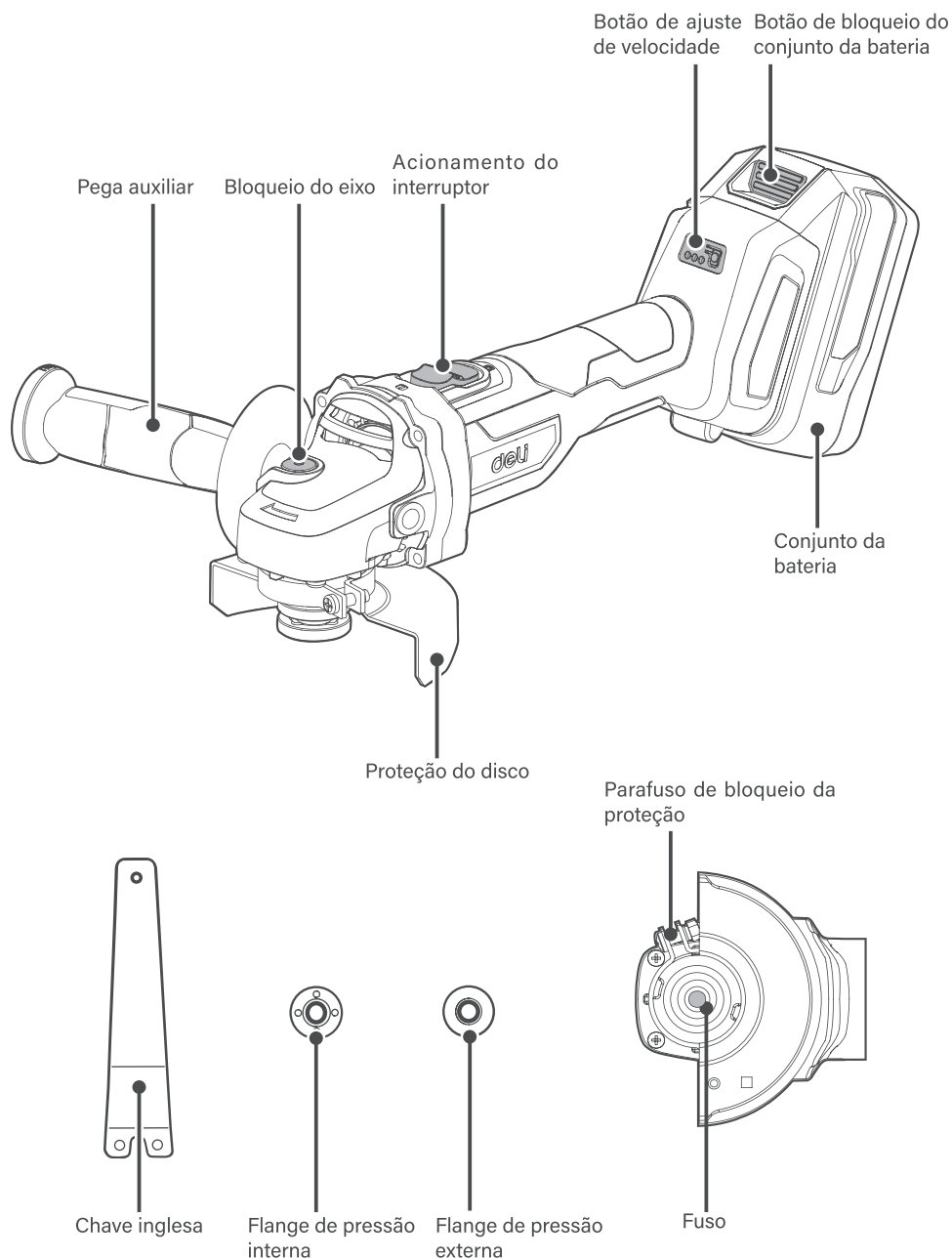
Valores totais de vibração ah (soma vetorial triaxial) e incerteza K determinados de acordo com a norma EN 62841-2-3:

Perfurar em metal: ah = 4,5 m/s², K = 1,5 m/s².
O nível de vibração e o valor de emissão de ruído indicados nestas instruções foram medidos de acordo com um processo de medição normalizado e podem ser utilizados para comparar ferramentas elétricas. Podem também ser utilizados para uma estimativa preliminar das emissões de vibrações e de ruído.

O nível de vibração e o valor de emissão de ruído indicados representam as principais aplicações da ferramenta elétrica. No entanto, se a ferramenta elétrica for utilizada para outras aplicações, com ferramentas de aplicação diferentes ou se a sua manutenção for deficiente, o nível de vibração e o valor de emissão de ruído podem ser diferentes. Este facto pode aumentar significativamente as emissões de vibrações e de ruído durante todo o período de trabalho.

Para estimar com exatidão as emissões de vibrações e de ruído, devem também ser tidos em conta os períodos em que a ferramenta está desligada ou em funcionamento mas não está a ser utilizada.

Este facto pode reduzir significativamente as emissões de vibrações e de ruído durante todo o período de trabalho. Implemente medidas de segurança adicionais para proteger o operador dos efeitos das vibrações, tais como a manutenção da ferramenta elétrica e das ferramentas de aplicação, manter as mãos quentes e a organização correta dos fluxos de trabalho.



Alguns dos acessórios mencionados nas ilustrações ou no texto não são fornecimento com o produto.

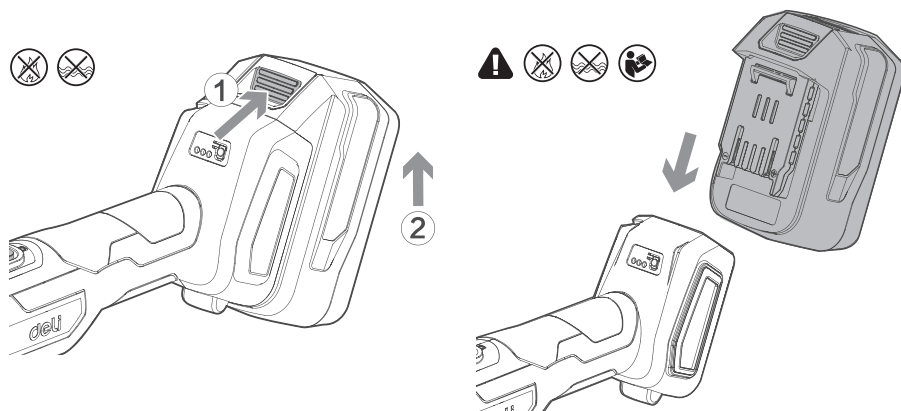
Instruções de Funcionamento

Nota: Leia o manual de instruções antes de utilizar.

1 Instalar/remover conjunto da bateria

Quando instala ou remove o conjunto da bateria, certifique-se de que a máquina está desligada;
Quando remove o conjunto da bateria, prima o botão acima do conjunto da bateria enquanto puxa para fora da ferramenta;

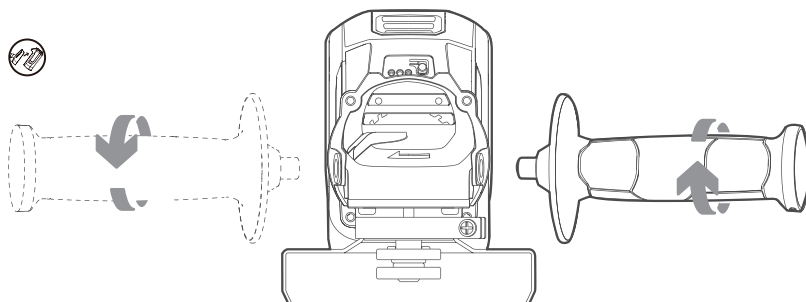
Quando instala o conjunto da bateria, alinhe a palheta no conjunto da bateria com a ranhura na estrutura da máquina e deslize-a para a posição. Insira por completo na posição até o conjunto da bateria ficar bloqueado e ouvir um clique. Se não estiver instalado devidamente, pode fazer com que o conjunto da bateria se separe da ferramenta e possa provocar ferimentos pessoais.



2 Instalação da pega auxiliar

Aviso!

Antes de ajustar ou verificar o funcionamento da ferramenta, certifique-se de que desliga a alimentação e retira o conjunto da bateria.

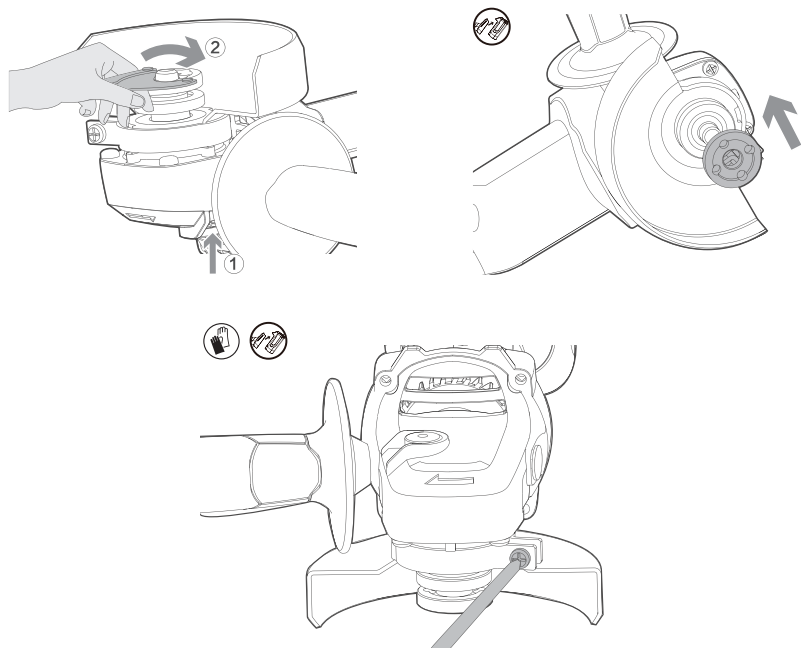


3 Instalação do disco de esmerilar/corte

Aviso! Antes de instalar o disco de esmerilar/corte, desligue sempre a ferramenta e remova o conjunto da bateria.

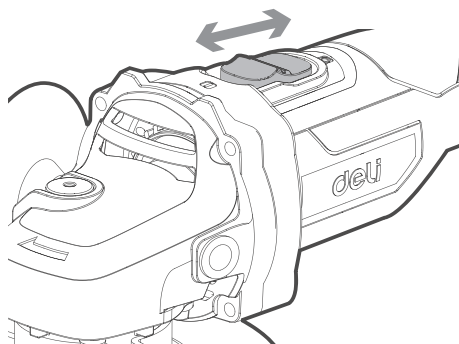
Atenção! Quando utilizar o disco de esmerilar/corte, certifique-se de que instala corretamente a proteção do disco.

Coloque a proteção do disco na ranhura do colar do fuso e, em seguida, aparafuse-a na posição de trabalho pretendida. Fixe a proteção do disco com os parafusos. O disco de esmerilar deve poder rodar livremente no interior da proteção. Certifique-se de que o lado fechado da proteção do disco está sempre voltado para a posição do operador.

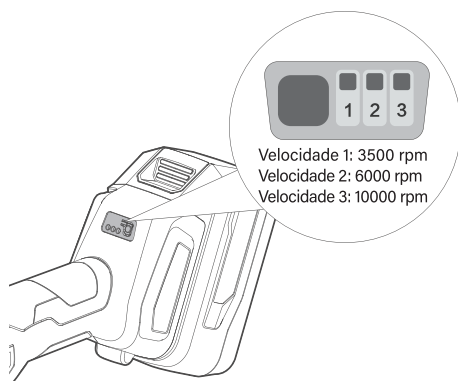


4 Operação

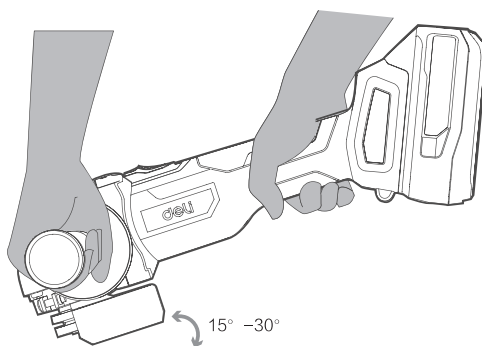
Ligar/Desligar a ferramenta



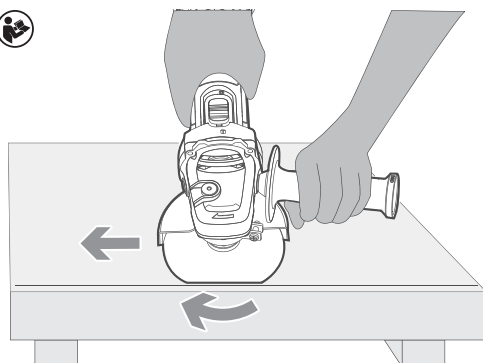
Ajuste da velocidade



Método de agarre de la herramienta



Operações de corte



Precauções de utilização

1. A velocidade pode ser ajustada através do botão de ajuste da velocidade.
2. Não aumente o atrito entre o disco e a peça para melhorar a eficiência, pois a velocidade de rotação do disco irá diminuir e o tempo de trabalho será prolongado.
3. Ligue o interruptor da ferramenta e machine a peça de trabalho com o disco. Geralmente, o bordo do disco deve ser mantido num ângulo de 15° em relação à superfície da peça de trabalho. Durante o período inicial de utilização de um disco de esmerilar novo, não opere o disco com o bordo diretamente aplicado à peça de trabalho na direção do avanço pois poderá cortar a peça de trabalho. Após o bordo do disco ficar arredondado com a utilização, já poderá ser utilizado na direção de avanço ou de recuo.
4. Não mude o ângulo do disco de esmerilar durante uma operação de corte. A aplicação de pressão lateral sobre o disco de corte (durante as operações de esmerilagem) pode provocar fissuras e danos no disco, resultando em lesões pessoais graves. Durante a operação, o disco diamantado deve ser mantido perpendicular ao material a cortar.
5. Ao cortar materiais mais duros, tente utilizar um disco de corte diamantado tanto quanto possível.
6. Se o aquecimento for intenso durante a utilização do disco de corte diamantado, aparecerão faíscas à volta do disco em rotação. Se isso acontecer, interrompa a utilização do disco e faça-o rodar sem carga durante 2-3 minutos para que arrefeça.
7. Certifique-se de que a peça está bem presa e não se move.

Cartão de Garantia de Produto

Caros utilizadores:

Obrigado pela compra dos nossos produtos. A fim de garantir o benefício da sua compra, os utilizadores que compram os nossos produtos podem contactar o distribuidor local ou os pontos de reparação especificados com a fatura e os cartões de garantia se o produto falhar devido a problemas de qualidade.

Aviso de Garantia:

1. A partir de _____ (Ano/Mês/Dia) até _____ (Ano/Mês/Dia), Se a falha acontecer numa utilização normal, a nossa empresa fornecerá garantia gratuita, substituição de peças e outros serviços de acordo com a situação da falha.
2. Este cartão de garantia e a fatura de compra são o comprovativo do serviço pós-venda fornecido pela nossa empresa aos clientes. O cartão só deve ser detalhado depois de preencher o seguinte formulário e fazer apor o selo oficial junto do distribuidor.
3. Em qualquer dos seguintes casos, o serviço de garantia gratuito será inválido e será necessário o pagamento de taxas de manutenção:
 - (1) Ultrapassada a data de validade da garantia.
 - (2) Falha ou danos causados por não terem sido seguidos os requisitos do manual do produto e/ou manutenção ou armazenamento inadequados.
 - (3) Avarias ou danos causados pela desmontagem, reparação ou modificação do produto sem a permissão da nossa empresa.
 - (4) Avaria do aparelho ou danos causados por motivo de força maior.
 - (5) Acessórios consumíveis.

Este cartão é emitido com o produto. Um cartão para cada máquina, para garantir que pode usufruir plenamente do direito ao serviço de garantia gratuito prestado pela empresa. Por favor, mantenha este cartão devidamente guardado, pois um cartão perdido não será substituído.

Data de compra: _____ (Ano/Mês/Dia)

Certificado de producto

Inspector:

01

Fecha de fabricación:

NINGBO DELI TOOLS CO., LTD.
No. 128 Chezhan West Road, Huangtan Town,
Ninghai County, Ningbo, Zhejiang, China
delitoolsglobal@nbdeli.com
www.delitoolsglobal.com
+86 574 87562689
MADE IN CHINA



Технические характеристики

Модель	DE-JM20-1 DE-JM20-1X ...	DE-JM20-2 DE-JM20-2X ...	DE-JM20-3 DE-JM20-3X ...
Номинальное напряжение	20V		
Размер диска	100 mm	125 mm	115 mm
Резьба шпинделя	M10	M14	
Частота вращения без нагрузки	0-3500/6000/10000/min		
Вес инструмента (только инструмент)	1.18 kg	1.2 kg	

X=A2, A4, D2, D4..., они используются только для отдельных клиентов, между этими моделями нет отличий, влияющих на безопасность.

Начальная емкость аккумулятора — до 20,8 В, при нормальном использовании — 18 В.

! **Внимание! Используйте только перечисленные аккумуляторные батареи и зарядные устройства. Использование других аккумуляторных батарей или зарядных устройств может привести к травме и/или пожару.**

Рекомендуется выбирать принадлежности в том же магазине, в котором вы приобрели электроинструмент. Выбирайте принадлежности, подходящие для ваших задач. Для справки ознакомьтесь с комплектом принадлежностей.

Аккумуляторная батарея	DE-DC20A2	2,0 Ач
	DE-DC20A3	2,5 Ач
	DE-DC20A4	4,0 Ач
	DE-DC20A5	5,0 Ач
	DE-DC20A6	6,0 Ач
	DE-DC20B8	8,0 Ач
Зарядное устройство	DE-CD20A2E	2 А, зарядка одного аккумулятора
	DE-CD20D4E	4 А, зарядка двух аккумуляторов
	DE-CD20A8E	8 А, зарядка одного аккумулятора

Обозначения

 Прочтите инструкцию	 Предупреждающие знаки	 Наденьте защитные перчатки	 Не помещать изделие в воду
 Наденьте защитные наушники	 Наденьте защитные очки	 Наденьте маску	 Не помещать изделие в огонь
 Перед заменой принадлежностей извлечь	 Аккумуляторы содержат ионы лития. В целях защиты окружающей среды вышедшие из строя аккумуляторы необходимо сортировать и перерабатывать, а не выбрасывать в мусорное ведро.		
 Сертификат Таможенного союза			

Оригинальная инструкция

Общие предупреждения по технике безопасности при обращении с электроинструментом

ПРЕДУПРЕЖДЕНИЕ. Ознакомьтесь со всеми предупреждениями по технике безопасности, инструкциями, иллюстрациями и спецификациями, прилагаемые к этому электроинструменту.

Несоблюдение любых из перечисленных ниже инструкций может стать причиной поражения электрическим током, возгорания и/или тяжелых травм.

Сохраните все предупреждения и инструкции для обращения к ним в будущем.

Термин «электроинструмент» в предупреждениях относится к электроинструменту, работающему от сети (проводному), или к электроинструменту, работающему от аккумулятора (беспроводному).

Безопасность рабочей зоны

- 1. Следите за тем, чтобы рабочее место было чистым и хорошо освещенным.** Загроможденные и плохо освещенное рабочее место может стать причиной несчастных случаев.
- 2. Не используйте электроинструменты во взрывоопасных средах, например в присутствии легковоспламеняющихся жидкостей, газов или пыли.** Электроинструменты создают искры, которые могут воспламенить пыль или пары.
- 3. Во время работы с электроинструментом не позволяйте детям и посторонним лицам приближаться к рабочей зоне.** Отвлекающие факторы могут привести к потере контроля над электроинструментом.

Электрическая безопасность

- 1. Вилки электроинструмента должны соответствовать розетке. Ни в коем случае не модифицируйте вилку.** Запрещено использование переходников для подключения заземленных электроинструментов. Использование немодифицированных вилок и соответствующих им розеток снижает риск поражения электрическим током.
- 2. Не прикасайтесь к заземленным предметам, таким как трубы, отопительные батареи, кухонные плиты и холодильники.** Это уменьшит риск поражения электрическим током.
- 3. Не допускайте попадания влаги на электроинструмент и не используйте его во влажной среде.** Попадание воды в

электроинструмент повышает риск поражения электрическим током.

- 4. Будьте осторожны с сетевым шнуром.** Запрещается использовать сетевой шнур для переноски, перемещения или отключения электроинструмента от сети. Держите сетевой шнур вдали от источников тепла, масла, острых краев и движущихся частей. Поврежденный или запутанный сетевой шнур повышает риск поражения электрическим током.
- 5. При работе с электроинструментом на открытом воздухе используйте удлинитель, подходящий для использования вне помещений.** Использование удлинителя, предназначенного для наружных работ, снижает риск поражения электрическим током.
- 6. При необходимости выполнять работы во влажной среде используйте источник электропитания, оборудованный устройством защитного отключения (УЗО).** Использование УЗО снижает риск поражения электрическим током.

Личная безопасность

- 1. При работе с электроинструментом будьте внимательны, следите за своими действиями и руководствуйтесь здравым смыслом. Не работайте с электроинструментом, если вы утомлены, находитесь в состоянии алкогольного, наркотического опьянения или под воздействием лекарственных средств.** Малейшая невнимательность при работе с электроинструментом может привести к серьезной травме.
- 2. Используйте средства индивидуальной защиты. Всегда надевайте средства защиты глаз.** Средства индивидуальной защиты, такие как респиратор, защитная обувь с нескользящей подошвой, каска, средства защиты органов слуха, помогут вам избежать травм.
- 3. Не допускайте случайного запуска. Убедитесь, что выключатель находится в выключенном положении, перед тем как подключаться к источнику питания, брать или переносить электроинструмент.** Переноска электроинструмента с пальцем на выключателе или подключение к источнику питания во включенном состоянии может привести к несчастному случаю.
- 4. Перед включением электроинструмента снимите с него регулировочные и гаечные ключи.** Ключ, оставшийся на вращающейся части электроинструмента, может привести к травме.

5. **Не тянитесь слишком далеко.** Всегда сохраняйте надлежащую опору и равновесие. Это позволяет лучше контролировать электроинструмент в непредвиденных ситуациях.
6. **Одевайтесь правильно.** Не носите свободную одежду и украшения. Держите волосы и одежду подальше от движущихся частей. Свободная одежда, украшения или небрежные волосы могут попасть в движущиеся части.
7. **Если предусмотрены устройства для подключения приспособлений для удаления и сбора пыли, следите за тем, чтобы такие приспособления подключались и использовались надлежащим образом.** Использование пылеулавливающей системы может снизить влияние опасных факторов.
8. **Не допускайте того, чтобы в результате приобретенного опыта работы с электроинструментами вы потеряли бдительность и игнорировали технику безопасности.** Неосторожное действие может привести к серьезной травме в течение доли секунды.

Эксплуатация электроинструмента и уход за ним

1. **Не перегружайте электроинструмент.** Правильно подбирайте электроинструмент для работы. Правильно подобранный электроинструмент лучше и безопаснее выполняет работу на предусмотренных оборотах.
2. **Не используйте электроинструмент, если его невозможно включить и выключить выключателем.** Любой электроинструмент, которым нельзя управлять с помощью выключателя, опасен и подлежит ремонту.
3. **Отсоедините вилку от источника питания и/или извлеките из электроинструмента аккумуляторную батарею, если она съемная, прежде чем выполнять настройку, менять насадки или помещать электроинструмент на хранение.** Такие превентивные меры безопасности снижают риск случайного включения электроинструмента.
4. **Храните неиспользуемые электроинструменты в недоступном для детей месте и не позволяйте лицам, не знакомым с электроинструментом или данными инструкциями, работать с электроинструментом.** Электроинструменты опасны в руках неподготовленных пользователей.
5. **Поддерживайте электроинструменты и насадки в надлежащем рабочем состоянии.** Проверьте движущиеся детали на предмет несоосности или

заедания, выявите сломанные детали и другие условия, которые могут повлиять на работу электроинструмента. В случае повреждения отремонтируйте электроинструмент перед использованием. Многие несчастные случаи вызваны плохим обслуживанием электроинструмента.

6. **Держите режущие инструменты в заточенном и чистом состоянии.** Правильно обслуживаемые режущие инструменты с острыми режущими кромками с меньшей вероятностью заедают, и ими легче управлять.
7. **Используйте электроинструмент, принадлежности, насадки и т. д. в соответствии с настоящей инструкцией, принимая во внимание рабочие условия и выполняемую работу.** Использование электроинструмента для операций, отличных от предусмотренных, может привести к возникновению опасной ситуации.
8. **Держите ручки и поверхности для захвата сухими, чистыми и не допускайте попадания на них смазки.** Скользкие ручки и поверхности для захвата не позволяют безопасно обращаться с инструментом и контролировать его в непредвиденных ситуациях.

Эксплуатация аккумуляторных инструментов и уход за ними

1. **Используйте только зарядное устройство, указанное производителем.** Зарядное устройство, подходящее для одного типа аккумуляторов, может стать причиной возгорания при использовании его с аккумуляторами другого типа.
2. **Используйте электроинструменты только с предназначенными для них аккумуляторами.** Использование любых других аккумуляторов может привести к возникновению пожара и травмам.
3. **Когда аккумулятор не используется, держите его вдали от других металлических предметов, таких как скрепки, монеты, ключи, гвозди, винты или другие мелкие металлические предметы, которые могут соединить одну клемму с другой.** Короткое замыкание на клеммах аккумулятора может привести к ожогам или пожару.
4. **При небрежном обращении из аккумулятора может вытекать содержащаяся в нем жидкость; избегайте контакта с этой жидкостью.** При случайном контакте промойте место контакта водой. При попадании жидкости в глаза обязательно обратитесь за медицинской помощью. Жидкость, вытекающая из аккумулятора, может вызвать раздражение или ожоги.

5. **Не используйте поврежденные или модифицированные аккумуляторы или инструменты.** Поврежденные или модифицированные аккумуляторы неустойчивы в работе, что может привести к возгоранию, взрыву или травмам.
6. **Аккумулятор и инструменты не должны подвергаться воздействию огня или чрезмерной температуры.** Воздействие огня или температуры выше 130 °C может привести к взрыву.
7. **Следуйте всем инструкциям по зарядке и не заряжайте аккумулятор или инструмент, если окружающая температура находится за пределами разрешенного диапазона.** Неправильная зарядка или зарядка при температурах, выходящих за пределы указанного диапазона, может привести к повреждению аккумулятора и значительно повышает риск возгорания.

Обслуживание

1. **Доверяйте обслуживание электроинструмента квалифицированному специалисту и используйте только оригинальные запасные части.** Это обеспечит безопасность электроинструмента.
2. **Проводить обслуживание поврежденных аккумуляторов строго запрещено.** Таким обслуживанием должен заниматься только производитель или его уполномоченный представитель.

Дополнительные указания по технике безопасности для шлифовальных машин, дисковых полировальных машин и дисковых шлифовальных аппаратов

Общие предупреждения

Эту часть можно распечатать отдельно от «Общих предупреждений по технике безопасности при обращении с электроинструментом».

В настоящих инструкциях по технике безопасности такие термины, как шлифовка/шлифовальная машина, зашкуривание/шлифовальный аппарат, очистка проволочной щеткой/проволочная щетка, полировка/полировальная машина или отрезание/отрезной инструмент, выбираются в соответствии с указаниями изготовителя. Эти термины в предупреждениях и заголовках должны использоваться последовательно или удаляться в зависимости от выбранных операций. Союзы «и»/«или» могут использоваться по мере необходимости.

Если электроинструмент предназначен только для одной из перечисленных операций, заголовок этого раздела должен использоваться для всех предупреждений.

Инструкции по технике безопасности для всех операций

Меры предосторожности для операций шлифовки, зашкуривания, очистки проволочной щеткой, полировки и отрезания:

1. **Этот электроинструмент предназначен для работы в качестве шлифовальной машины, шлифовального аппарата, проволочной щетки, полировальной машины, резака отверстий или отрезного инструмента. Ознакомьтесь со всеми предупреждениями по технике безопасности, инструкциями, иллюстрациями и спецификациями, прилагаемые к этому электроинструменту.** Несоблюдение любых нижеприведенных инструкций может привести к поражению электрическим током, пожару и/или серьезной травме.
2. **Запрещается выполнять с помощью этого электроинструмента такие операции, как шлифовка, зашкуривание, очистка проволочной щеткой, полировка, вырезание отверстий и отрезание.** Использование электроинструмента не по назначению может быть опасным и привести к травмам.
3. **Не вносите изменения в конструкцию данного электроинструмента для выполнения операций, которые не предусмотрены производителем.** Такая модификация может привести к потере управления и серьезной травме.
4. **Не используйте насадки, которые не были специально разработаны и указаны производителем инструмента.** Возможность использования электроинструмента с какой-то насадкой еще не гарантирует безопасность эксплуатации.
5. **Номинальная скорость оборотов насадки должна соответствовать максимальной скорости оборотов, указанной на электроинструменте.** В результате использования насадки со скоростью оборотов, превышающей номинальное значение, она может разрушиться и разлететься в стороны.
6. **Наружный диаметр и толщина насадки должна соответствовать параметрам электроинструмента.** Невозможно обеспечить нормальную защиту и контроль насадок неправильного размера.
7. **Размеры крепежных частей насадки должны соответствовать размерам крепежных частей электроинструмента.** Насадки, размеры которых не в точности соответствуют деталям электроинструмента,

- будут несбалансированы, что может вызвать сильную вибрацию и потерю контроля над инструментом.
8. **Не используйте поврежденные насадки.** Перед каждым использованием проверяйте насадки (например, абразивные круги) на отсутствие сколов и трещин, опорную тарелку на отсутствие трещин, разрывов и признаков чрезмерного износа, проволочную щетку — на предмет неплотно сидящих или треснувших щетин. Если произошло падение электроинструмента или насадки, убедитесь в отсутствии повреждений и при необходимости установите другую насадку. После осмотра и установки насадки запустите электроинструмент и дайте ему поработать на максимальной скорости без нагрузки в течение одной минуты. При этом оператор и окружающие не должны находиться в плоскости вращающегося приспособления. Обычно в ходе такой проверки поврежденные насадки разрушаются.
 9. **Используйте средства индивидуальной защиты. В зависимости от вида работ используйте защитный щиток, защитные очки закрытого или открытого типа.** При необходимости наденьте респиратор, средства защиты органов слуха, перчатки и фартук, способный предохранить от небольших абразивных частиц и фрагментов обрабатываемой детали. Средства защиты глаз должны обеспечивать защиту от вылетающих частиц при выполнении различных работ. должны отфильтровывать частицы, образующиеся во время работы. Продолжительное воздействие шума высокой интенсивности может вызвать потерю слуха.
 10. **Держите электроинструмент только за изолированные рукоятки. Будьте особенно осторожны в ситуациях, когда возможен контакт режущего инструмента со скрытой электрической проводкой.** Контакт с проводами под напряжением также может привести к тому, что открытые части электроинструмента окажутся под напряжением, что способно стать причиной поражения электрическим током.
 11. **Размещайте шнур питания так, чтобы исключить контакт с вращающейся насадкой.** При потере контроля над электроинструментом вы можете непреднамеренно перерезать или зацепить шнур и повредить руку или плечо вращающейся насадкой.
 12. **Кладите электроинструмент только после полной остановки насадки.** Вращающаяся насадка может зацепить поверхность, что вызовет потерю контроля над электроинструментом.
 13. **Не включайте электроинструмент, когда несете его сбоку.** При случайном контакте с вращающейся насадкой на нее может наматываться одежда, что может привести к травмам.
 14. **Регулярно очищайте вентиляционные отверстия электроинструмента.** Вентилятор двигателя всасывает в корпус пыль, а избыточная концентрация металлического порошка создает опасность поражения электрическим током.
 15. **Не используйте электроинструмент рядом с горючими материалами.** Искры могут вызвать возгорание таких материалов.
 16. **Не используйте насадки с жидкостным охлаждением.** Использование воды или иных жидкостей может привести к короткому замыканию или поражению электрическим током.

Дополнительные инструкции по технике безопасности для всех операций

Предупреждения об отскоке и соответствующие меры предосторожности:

Отскок — это внезапная реакция на зажатие или заедание вращающегося круга, опорной тарелки, щетки или любой другой насадки. Защемление или блокировка приводит к быстрому застопориванию вращающейся насадки, что вызывает неконтролируемое вращение электроинструмента в направлении, противоположном направлению вращения приспособления в точке заклинивания. Например, при защемлении или заклинивании абразивного круга обрабатываемой деталью кромка круга в точке защемления может врезаться в поверхность материала, что приводит к выбросу или отскоку инструмента. В зависимости от направления вращения в точке защемления возможен даже выброс круга в направлении оператора. Кроме того, в этой ситуации абразивный круг может разрушиться. Отскок — это результат ненадлежащей эксплуатации электроинструмента и/или несоблюдения правил его эксплуатации. Чтобы избежать отскока, соблюдайте указанные ниже меры предосторожности.

1. **Крепко держите электроинструмент обеими руками.** Располагайтесь так, чтобы тело и руки могли нейтрализовать отскок. **Всегда используйте дополнительную ручку (если имеется) для максимального контроля отскока и реакции на крутящий момент во время запуска.** Оператор может контролировать реакцию на крутящий момент или силу отскока, если будет следовать мерам предосторожности.
2. **Не держите свою руку вблизи вращающейся насадки.** В результате отскока инструмент может выпастить из ваших рук.

3. **Не располагайтесь в зоне движения электроинструмента в случае возникновения отскока.** При отскоке инструмент перемещается в противоположном направлении.
4. **Будьте особенно осторожны при обработке углов, острых краев и т. д. Избегайте подпрыгивания и зацепления насадки.** Углы, острые кромки или подпрыгивание насадки ведут к заклиниванию вращающегося диска и, соответственно, к потере контроля или отскоку.
5. **Не устанавливайте в электроинструмент пильную цепь, дисковую пилу для работ по дереву, сегментный алмазный круг с периферийным зазором более 10 мм или зубчатую дисковую пилу.** Такие инструменты часто приводят к отскоку и потере контроля.

Дополнительные указания по технике безопасности при шлифовании и отрезании

Специальные меры предосторожности при выполнении шлифовальных и отрезных работ:

1. **Используйте только рекомендованные для вашего электроинструмента типы кругов и специальный защитный кожух, предназначенный для выбранного круга.** Невозможно обеспечить надлежащую защиту и безопасность в случае использования кругов, не предназначенных для электроинструмента.
2. **Шлифовальная поверхность кругов с центральным углублением должна быть установлена ниже плоскости защитной кромки.** Неправильно установленный круг, выступающий за плоскость защитной кромки, не может быть надлежащим образом защищен.
3. **Защитный кожух должен быть надежно прикреплен к электроинструменту, а его положение отрегулировано так, чтобы круг был максимально закрыт для обеспечения максимальной безопасности.** Кожух помогает защитить оператора от осколков сломанного круга, случайного контакта с кругом и искр, которые могут воспалить одежду.
4. **Используйте круги только для проведения рекомендованных работ. Например, не используйте боковую поверхность отрезного круга для шлифования.** Абразивные отрезные круги не предназначены для боковой шлифовки, приложение к ним бокового усилия вызывает их растрескивание.

5. **Используйте только такие круги, фланцы которых не повреждены и имеют надлежащий размер и форму. Правильно выбранные фланцы обеспечивают опору для кругов и уменьшают вероятность разрушения круга.** Фланцы для отрезных кругов могут отличаться от фланцев для шлифовальных кругов.
6. **Не используйте изношенные круги, предназначенные для более крупных электроинструментов.** Круг, предназначенный для более крупного электроинструмента, не подходит для эксплуатации на более высоких оборотах электроинструмента меньшего размера и может разрушиться с вылетом осколков.
7. **При использовании кругов двойного назначения всегда используйте защитный кожух, предназначенный для выполняемой работы.** Использование неадекватного защитного кожуха может не обеспечить желаемого уровня защиты, что способно привести к серьезной травме.

Информация о шуме/вибрации

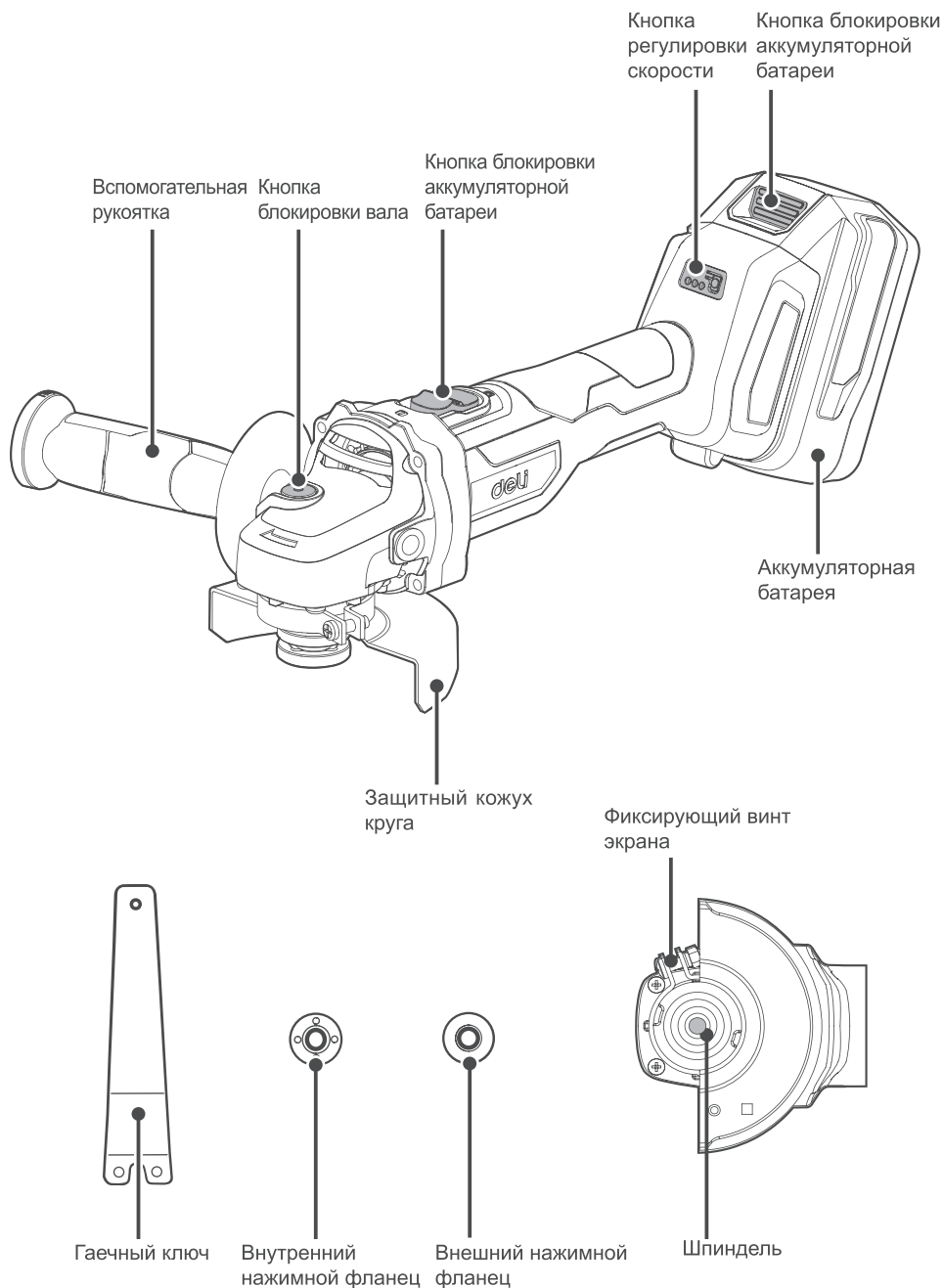
Значения уровня шума определены в соответствии со стандартом Т.ЕЛ. 62841-2-3

Обычно уровень шума электроинструмента, взвешенный по кривой А, составляет: Уровень звукового давления 83 дБ(А); уровень звуковой мощности 94 дБ(А). Погрешность К = 5 дБ. Носите средства защиты органов слуха!

Суммарные значения вибрации a_h (векторная сумма по трем осям) и погрешность К определены в соответствии со стандартом EN 62841-2-3:

Сверление металла: $a_h = 4,5 \text{ м/с}^2$, $K = 1,5 \text{ м/с}^2$. Приведенные в данной инструкции значения уровня вибрации и шума были получены в соответствии со стандартной процедурой измерения и могут использоваться для сравнения электроинструментов. Их также можно использовать для предварительной оценки уровней вибрации и шума. Приведенные уровни вибрации и шума соответствуют основным областям применения электроинструмента. Однако, если электроинструмент используется для других целей, с другим оборудованием или плохо обслуживается, уровни вибрации и шума могут отличаться от указанных. Это может значительно повысить уровни вибрации и шума в течение всего рабочего периода. Для точной оценки уровней вибрации и шума следует также учитывать время, когда инструмент выключен или когда он включен, но фактически не используется. Это может значительно снизить уровень

вибрации и шума в течение всего периода работы. Используйте дополнительные меры безопасности для защиты оператора от воздействия вибрации, такие как своевременное обслуживание электроинструмента и вспомогательных устройств, контроль нагрева рукояток и правильная организация рабочих процессов.

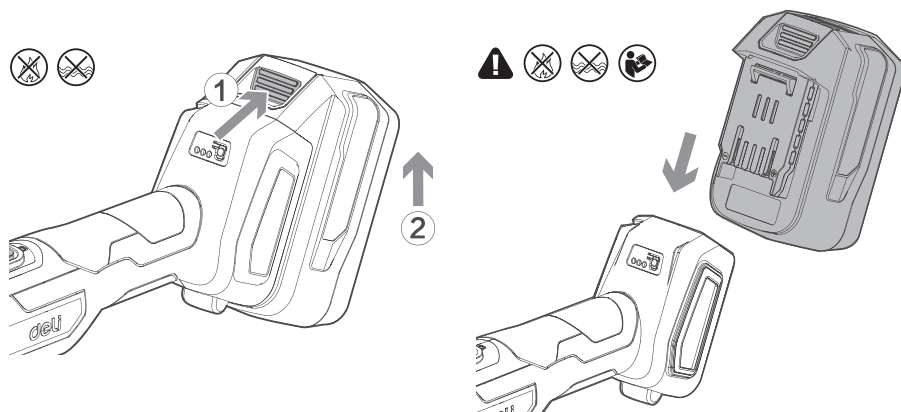


Некоторые детали, показанные на рисунках или указанные в тексте, не входят в комплект поставки.

Примечание. Ознакомьтесь с руководством перед началом эксплуатации.

1 Установка/снятие аккумуляторной батареи

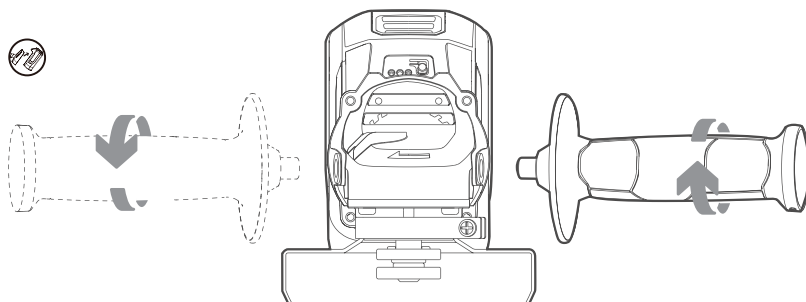
При установке или снятии аккумуляторной батареи убедитесь, что инструмент выключен.
Для извлечения аккумуляторной батареи нажмите кнопку над ней и вытащите ее из инструмента.
Для установки совместите выступ на аккумуляторной батарее с канавкой на корпусе инструмента и задвиньте батарею на место. Задвигайте ее, пока она не зафиксируется и не защелкнется.
Неправильная установка может привести к отсоединению аккумуляторной батареи от инструмента и нанесению травмы.



2 Установка дополнительной рукоятки

Внимание!

Перед регулировкой или проверкой работоспособности инструмента обязательно отключите питание и извлеките аккумуляторную батарею.

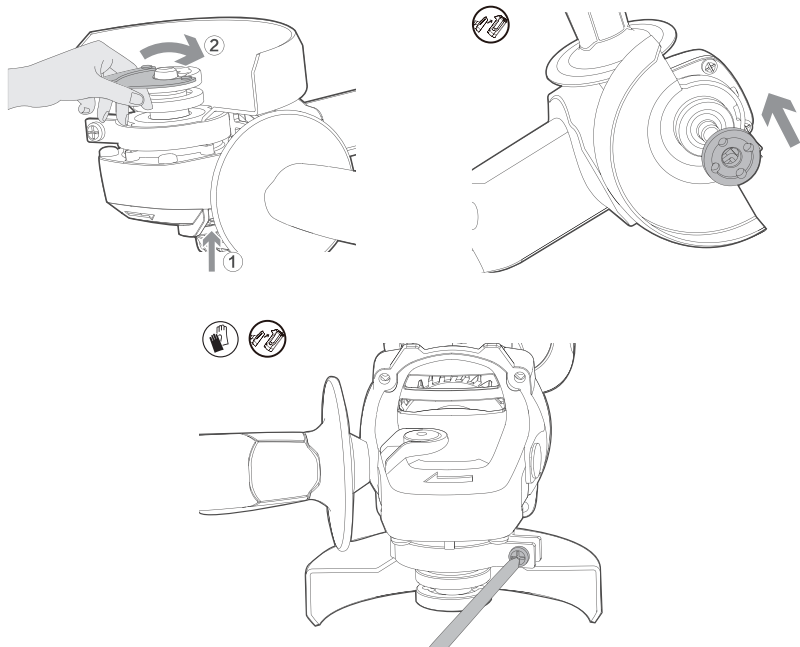


3 Установка шлифовального/отрезного круга

Внимание! Перед установкой шлифовального/отрезного круга обязательно отключите питание инструмента и извлеките аккумуляторную батарею.

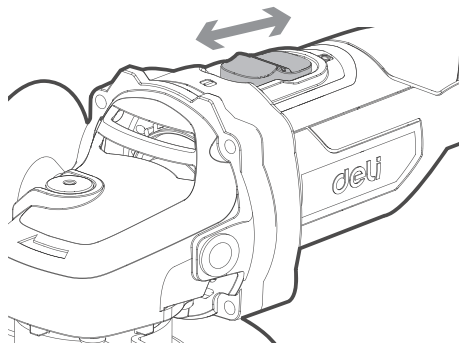
Внимание! При использовании шлифовального/отрезного круга обязательно правильно установите защитный кожух.

Поместите защитный кожух в канавку втулки и установите его в требуемом рабочем положении. Закрепите защитный кожух винтами. Шлифовальный круг должен свободно вращаться в защитном кожухе. Следите за тем, чтобы закрытая сторона защитного кожуха всегда была направлена к оператору.

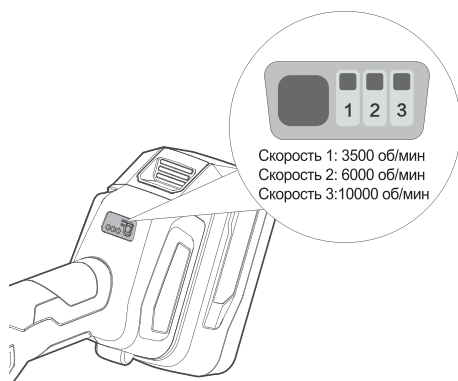


4 Эксплуатация

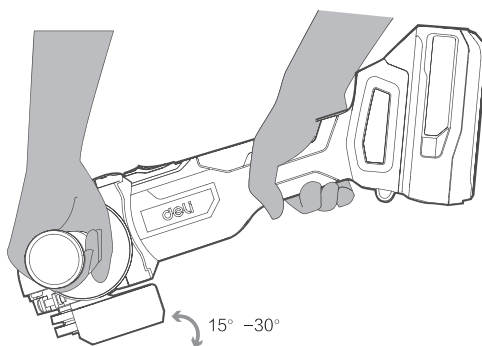
Включение/выключение инструмента



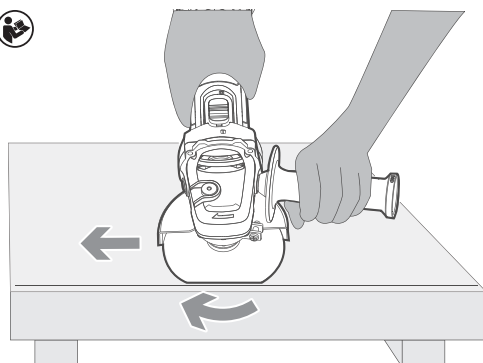
Регулировка скорости



Способ фиксации инструмента



Резка



Меры предосторожности во время эксплуатации

1. Скорость можно менять с помощью кнопки регулировки скорости.
2. Не увеличивайте трение между шлифовальным кругом и обрабатываемой деталью для повышения эффективности: скорость вращения шлифовального круга снизится, а время работы увеличится.
3. Включите инструмент и обработайте заготовку шлифовальным кругом. Как правило, край шлифовального круга должен находиться под углом 15° к поверхности заготовки. Во время приработки нового шлифовального круга не вращайте его в прямом направлении, иначе он врежется в заготовку. После того как край шлифовального круга закруглился в ходе работы, его можно использовать как в прямом, так и в обратном направлении.
4. Не меняйте угол наклона шлифовального круга во время резки. Боковое давление на круг (при шлифовке) может привести к растрескиванию круга и его повреждению, а также к серьезным травмам. Во время работы алмазный круг должен располагаться перпендикулярно разрезаемому материалу.
5. При резке более твердых материалов старайтесь максимально использовать алмазный отрезной круг.
6. Если во время работы алмазный отрезной круг сильно нагревается, вокруг него появляются искры. В этом случае остановите работу и дайте инструменту поработать без нагрузки в течение 2-3 минут, чтобы круг охладился.
7. Следите за тем, чтобы обрабатываемая деталь была хорошо зафиксирована и не двигалась.

Гарантийный талон продукта

Уважаемые пользователи!

Благодарим вас за приобретение нашей продукции. Если приобретенное вами изделие вышло из строя из-за проблем с качеством, вы можете обратиться к местному дистрибьютору или в указанные пункты ремонта, приложив счет-фактуру и гарантийные талоны.

Гарантийное уведомление:

1. От _____ (год/месяц/день) до _____ (год/месяц/день), Если выход из строя произошел при обычном использовании, наша компания предоставит бесплатную гарантию, замену деталей и другие услуги в зависимости от характера поломки.
2. Настоящий гарантийный талон и счет-фактура являются ваучером послепродажного обслуживания, предоставляемого нашей компанией клиентам. Вносить данные в талон следует только после заполнения следующей формы и скрепления официальной печатью дистрибьютора.
3. При возникновении одного из следующих случаев бесплатное гарантийное обслуживание является недействительным и взимается плата за ремонт:
 - (1) Истек срок службы изделия.
 - (2) Неисправность или повреждение вызванные несоблюдением требований руководства по эксплуатации изделия, техническому обслуживанию или неправильными условиями хранения.
 - (3) Неисправность или повреждение вызванные разборкой, ремонтом или модификацией изделия без разрешения нашей компании.
 - (4) Поломка или повреждение изделия, вызванные форс-мажорными обстоятельствами.
 - (5) Расходные материалы и принадлежности.

Настоящий талон выдан вместе с изделием. Один талон на одно изделие. Чтобы в полной мере воспользоваться правом на бесплатное гарантийное обслуживание, предоставляемое компанией, необходимо сохранить талон в целостности, утерянный талон замене не подлежит.

Дата покупки: _____ (год/месяц/день)

Сертификат продукции

Контролирующий орган:

01

Дата производства:

NINGBO DELI TOOLS CO., LTD.
No. 128 Chezhan West Road, Huangtan Town,
Ninghai County, Ningbo, Zhejiang, China
delitoolsglobal@nbdeli.com
www.delitoolsglobal.com
+86 574 87562689
MADE IN CHINA



بطاقة ضمان المنتج

المفتش:

01

تاريخ التصنيع:



NINGBO DELI TOOLS CO., LTD.
No. 128 Chezhan West Road, Huangtan Town,
Ninghai County, Ningbo, Zhejiang, China
delitoolsglobal@nbdeli.com
www.delitoolsglobal.com
+86 574 87562689
MADE IN CHINA

بطاقة ضمان المنتج

أعزائي المستخدمين:

شكراً لاختياركم مُنتجنا. لضمان حصولكم على أقصى استفادة ممكنة، يمكن لعملائنا الاتصال بالوكيل المحلي أو بمحطات الصيانة المحددة عند حدوث أي عيوب في المنتج بسبب مشاكل في الجودة، وذلك باستخدام فاتورة الشراء وبطاقة الضمان.

إشعار الضمان:

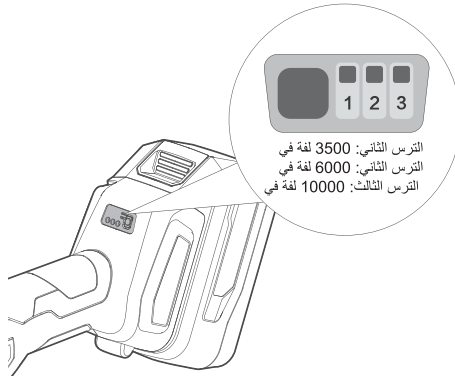
1. من _____ (اليوم/ الشهر/ السنة) إلى _____ (اليوم/ الشهر/ السنة)، بالضمان رضاكم، ستقدم شركتنا ضماناً مجانياً واستبدال القطع وأعمال الصيانة الأخرى عند حدوث أي عطل أثناء الاستخدام العادي، وذلك بما يتناسب مع طبيعة العطل المحدد.
2. تعد بطاقة الضمان هذه وفاتورة الشراء إثباتاً لخدمة ما بعد البيع التي تقدمها شركتنا للعملاء. يمكن تقديم طلب الحصول على بطاقة الضمان من خلال ملء النموذج التالي ووضع الختم الرسمي من قبل الموزع.
3. لن يتم تقديم خدمات الصيانة مجاناً ويتوجب دفع رسومها كاملة في حالة وجود إحدى الحالات التالية:
 - (1) تجاوز تاريخ الانتهاء؛
 - (2) عطل أو تلف المنتج نتيجة عدم اتباع متطلبات دليل المنتج أو الصيانة أو التخزين الصحيح؛
 - (3) العطل أو التلف الناتج عن تفكيك أو إصلاح أو تعديل المنتج بدون إذن من شركتنا؛
 - (4) العطل أو التلف الناتج عن القوة القاهرة؛
 - (5) الملحقات الاستهلاكية.

يتم إصدار هذه البطاقة مع المنتج. يرجى الاحتفاظ بطاقة ضمان المنتج بشكل صحيح، حيث تضمن هذه البطاقة حق الاستفادة من الخدمة المجانية للضمان التي تقدمها الشركة، علماً بأنه لا يمكن استبدالها في حالة الفقد.

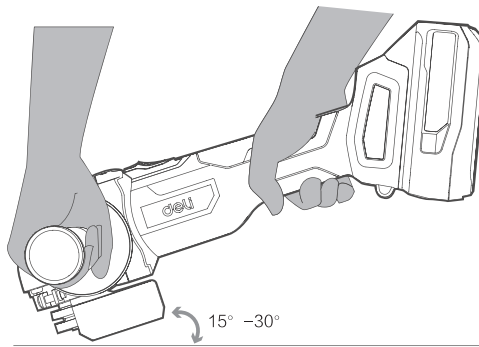
تاريخ الشراء: _____ (اليوم/ الشهر/ السنة)

الاحتياطات اللازمة للاستخدام:

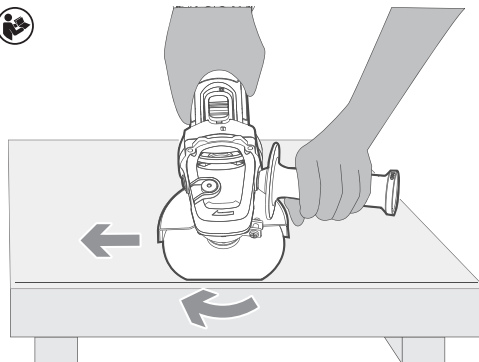
1. يمكن ضبط السرعة عن طريق استخدام زر ضبط السرعة.
2. لا تزيد من الاحتكاك بين عجلة التجليخ وقطعة العمل لتحسين الكفاءة، حيث يؤدي ذلك إلى انخفاض سرعة دوران عجلة التجليخ، وبالتالي إطالة وقت العمل.
3. قم بتشغيل مفتاح الماكينة وتشغيل قطعة العمل بعجلة الطحن. بشكل عام، يجب أن تحافظ حافة عجلة الطحن على زاوية ميل 15 درجة مع سطح قطعة العمل. أثناء فترة تشغيل عجلة الطحن الجديدة، ولا تقم بتشغيل العجلة في الاتجاه الأمامي، وإلا فإنها ستقطع قطعة العمل. بعد تدوير حافة عجلة الطحن بعد الاستخدام، يمكن تشغيلها في الاتجاهين الأمامي أو الخلفي.
4. لا تغير زاوية عجلة الطحن أثناء عمليات التقطيع. سيؤدي الضغط الجانبي على عجلة القطع (أثناء عمليات الطحن) إلى تشقق العجلة وتلفها، مما يؤدي إلى إصابة جسدية خطيرة. أثناء التشغيل، يجب أن تكون العجلة الماسية متعامدة مع المادة التي يتم قطعها.
5. عند قطع المواد الصلبة، حاول استخدام عجلة التقطيع الماسية قدر الإمكان.
6. إذا كان التسخين شديداً عند استخدام عجلة التقطيع الماسية، فستظهر شرارات حول العجلة الدوّارة. في هذا الوقت، توقف عن استخدام العجلة وقم بتشغيلها دون تحميل لمدة 2-3 دقائق حتى تبرد.
7. يُرجى التحقق من ثبات قطعة العمل جيداً وعدم تحركها.



طريقة إمساك الأداة

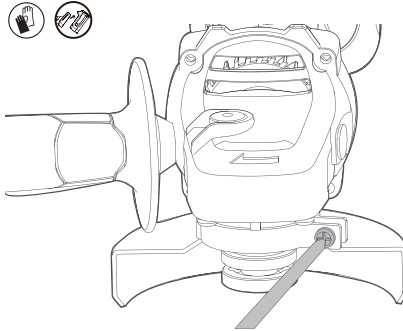
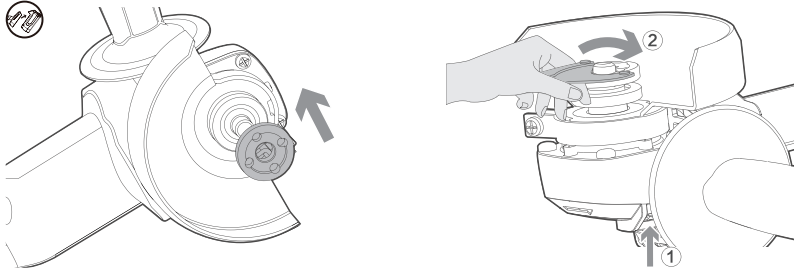


عمليات التقطيع



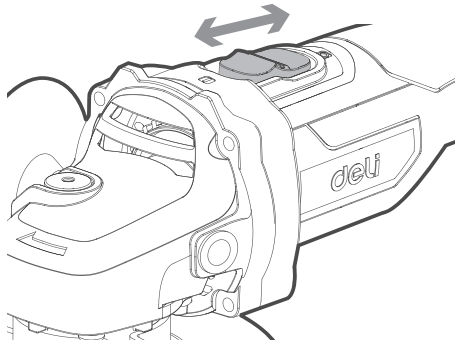
3 تركيب عجلة التخليخ

تحذير! قبل تثبيت قرص الطحن/ التقطيع، قم دائما بإيقاف تشغيل الماكينة وإزالة مجموعة البطارية.
انتبه! عند استخدام قرص الطحن/ التقطيع، تأكد من تثبيت واقي العجلة بشكل صحيح.
ضع واقي العجلة في مجرى حلقة عمود الدوران ثم اربطه في موضع العمل المطلوب. قم بتأمين واقي العجلة بمسامير. يجب أن تكون عجلة الطحن قادرة على الدوران بحرية في الواقي. تأكد من أن الجانب المغلق لواقى العجلة يواجه دائما موضع المشغل.



3 تشغيل

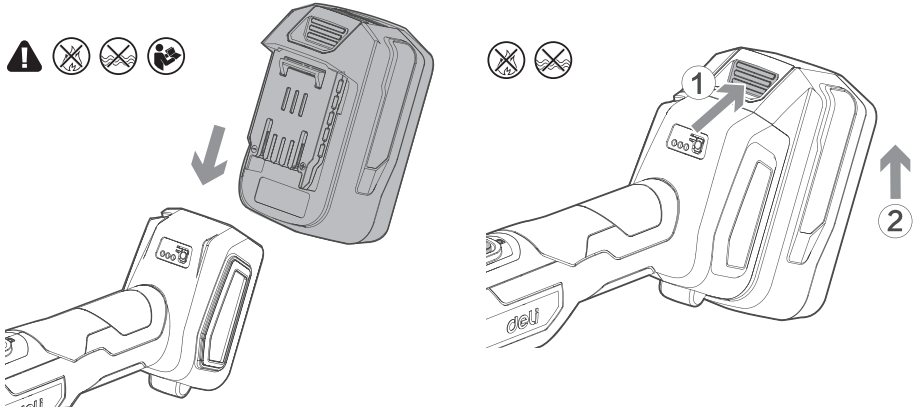
تشغيل/ إيقاف تشغيل الماكينة



ملحوظة: اقرأ دليل التعليمات قبل التشغيل.

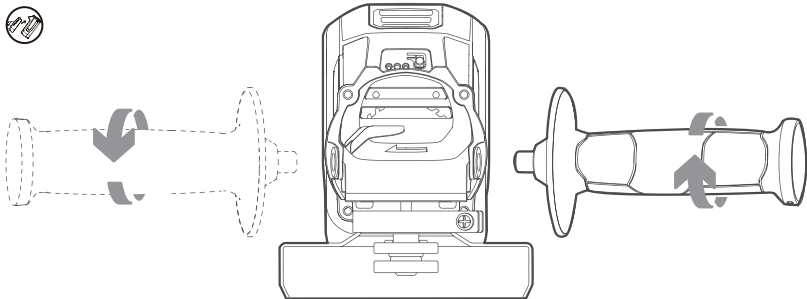
1 تركيب/إزالة مجموعة البطارية

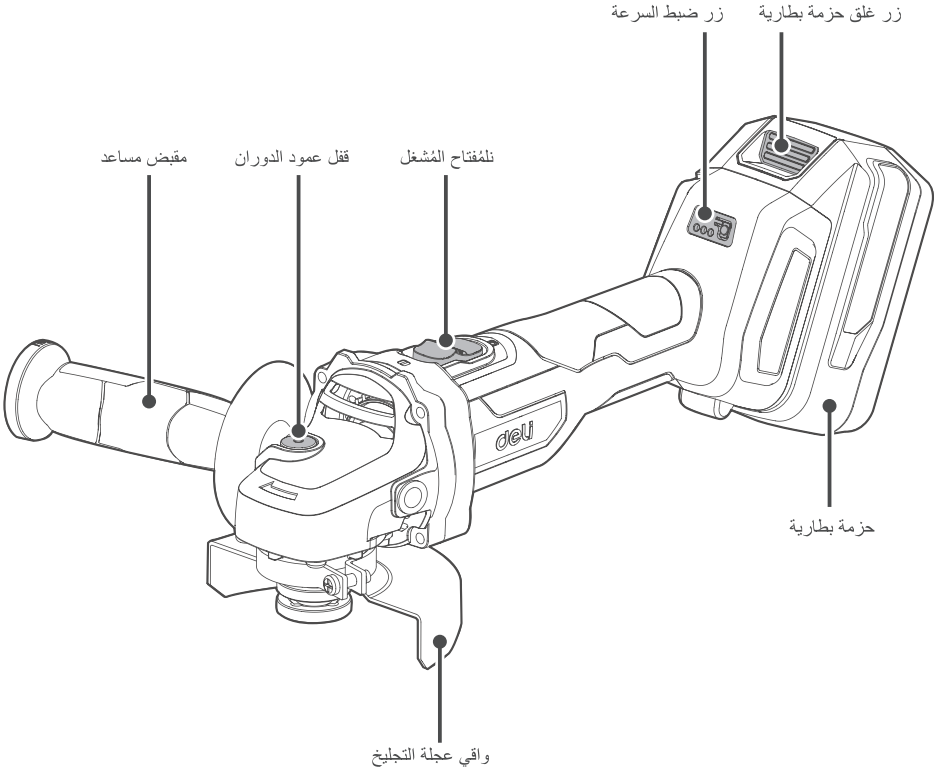
عند تركيب مجموعة البطارية أو إزالتها، تأكد من أن الجهاز في الحالة "إغلاق"
عند إزالة مجموعة البطارية، اضغط على الزر فوق مجموعة البطارية أثناء سحبها من الأداة.
عند تركيب مجموعة البطارية، قم بمحاذاة المجرى الموجود على مجموعة البطارية مع المجرى الموجود على الماكينة، ثم قم بتركيبها في ذلك
المكان. أدخلها بالكامل في مكانها بحيث يجري القفل عليها وتصدر صوت إحكام التركيب. إذا لم يتم تركيبها بشكل صحيح، فقد يتسبب ذلك في انفصال
مجموعة البطارية عن الماكينة والتسبب في إصابة شخصية.



2 تركيب المقبض الإضافي

تحذير!
قبل ضبط وظائف الماكينة أو التحقق منها، تأكد من إيقاف تشغيل الطاقة وإزالة مجموعة البطارية.





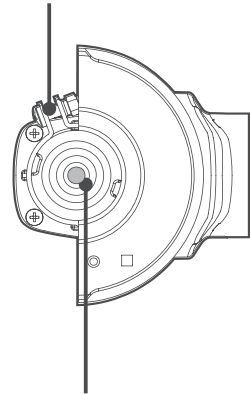
مفتاح ربط



اشفة الضغط الداخلية



اشفة الضغط الخارجية



عمود الدوران

بعض الملحقات المذكورة في الرسوم التوضيحية أو النص غير مرفقة في مجموعة التوريد.

الارتداد والتجذبات التي تتعلق به:

الارتداد هو رد فعل مفاجئ لعجلة دوارة أو مضغوطة أو متمزقة أو سادة داعمة أو فرشاة أو أي من الملحقات الأخرى. يتسبب الضغط أو التثقيب في أن يتوقف الملحق الدوار بسرعة، والذي قد يتسبب بدوره في أن تُدفع الأداة الكهربائية في الاتجاه المعاكس لدورانه عند نقطة التقائهما. فعلى سبيل المثال، إذا ضغطت قطعة العمل على عجلة التجلخ أو تعثرت العجلة بها، فيمكن لحافة العجلة التي دخلت إلى مكان الضغط والانحسار أن تتعمق داخل سطح المادة مما ينتج عنه قفز العجلة أو انفاعها بعيداً. قد تنفجر العجلة تجاه المشغل أو بعيداً عنه، اعتماداً على اتجاه حركة العجلة عند نقطة الانفصاط. وقد تتحطم عجلات التجلخ في هذه الحالات. ويحدث الارتداد نتيجة سوء الاستخدام أو إجراءات التشغيل أو الأوضاع غير السليمة أو كلاهما، ويمكن تفادي ذلك باتخاذ التدابير الوقائية السليمة كما هو موضح أدناه.

1. **حافظ على الإمسك بالأداة الكهربائية بكلتا اليدين وضع ذراعك لمقاومة قوى الارتداد.** واحرص على استخدام مقبض المساعدة دائماً إذا توفر للحصول على أكبر قدر من التحكم في الارتداد أو رد فعل عزم الدوران أثناء بدء عملية التشغيل. يمكن للمشغل التحكم في تفاعلات عزم الدوران أو قوى الارتداد، إذا تم اتخاذ الاحتياطات المناسبة.

2. **تجنب وضع يدك بالقرب من الملحق الدوار.** قد يرتد هذا الملحق من الماكينة على.

3. **يجب الاقتراب بجسديك من المنطقة التي قد تتحرك إليها الماكينة إذا حدث الارتداد.** حيث يدفع الارتداد الماكينة في الاتجاه المعاكس لحركة العجلة عند نقطة التعرض للتواءات.

4. **يجب توخ الحذر أثناء العمل في الزوايا والحواف الحادة وما إلى ذلك، وتجنب ارتداد ملحقات الجهاز أو تعثرها.** تميل الزوايا والحواف الحادة أو الارتداد إلى تعطيل الملحق الدوار وتسبب فقدان التحكم أو الارتداد.

5. **لا تقم بتركيب نصل سلسلة منشار النحت على الخشب، أو عجلة المس الجزأة ذات فجوة طرفية أكبر من 10 مم أو شفرة منشار مسنن.** حيث يؤدي استخدام مثل هذه الشفرات إلى الارتداد وفقدان السيطرة.

تعليمات السلامة الإضافية لعمليات التجلخ أو التقطع

تحذيرات السلامة الخاصة بعمليات التجلخ والقطع:

1. **استخدم فقط أنواع العجلات المخصصة للأداة الكهربائية الخاصة بك والواقي المصمم للعجلة المحددة.** حيث لا يمكن توفير حواجز وقاية ملائمة للعجلات غير المصممة للجهاز، بالإضافة إلى كونها غير آمنة.

2. **يجب تركيب سطح التجلخ للعجلات المضغوطة المركزية أسفل مستوى شفة الواقي.** لا يمكن حماية العجلة المركبة بشكل غير صحيح والتي تظهر عبر سطح شفة الحماية بشكل كاف.

3. **ينبغي أن تتحقق من تركيب الحاجز الواقي في الماكينة في وضع آمن بحيث يوفر لك الحد الأقصى من السلامة ويكون المشغل معرضاً لأقل جزء من العجلة.** حيث يساعد الواقي على حماية المشغل من الشظايا المخطمة والتلامس العرضي مع العجلة والشرر التي قد تتسبب في إشعال الملابس.

4. **ينبغي أن يقتصر استخدام العجلات على التطبيقات الموصى بها فقط.** على سبيل المثال: تجنب استخدام جانب القطع من العجلة في عملية التجلخ. فحافات التجلخ القاطعة مصممة للاستخدام في التجلخ المحيطي، وإذا تعرضت هذه العجلات إلى قوى جانبية فقد يؤدي ذلك إلى تحطمتها.

5. **استخدم دائماً حواف العجلات غير التالفة ذات الحجم والشكل المناسبين للعجلة التي اخترتها.** تدعم حافات العجلة المناسبة العجلة مما يقلل من إمكانية كسرها. قد تختلف حافات عجلات القطع عن حافات عجلة التجلخ.

6. **لا تستخدم عجلات بالية من أدوات كهربائية أكبر.** حيث إن عجلات الأدوات الكهربائية الأكبر حجماً لا يتناسب السرعات الأعلى للأداة الأصغر حجماً، وقد يؤدي استخدامها مع الأداة الأصغر إلى انفجارها.

7. **عند استخدام عجلات مزدوجة الغرض، استخدم دائماً الواقي الصحيح للتطبيق الذي يتم تنفيذه.** عدم استخدام الواقي الصحيح قد لا يؤدي إلى توفير المستوى المطلوب من الوقاية، مما قد يؤدي إلى حدوث إصابة خطيرة.

معلومات عن الضوضاء / الاهتزازات

قيم انبعاثات الضوضاء المحددة وفقاً لـ

الهاتف 3-2-62841

عادةً ما يكون مستوى الضجيج المعلن عنه للأداة الكهربائية هو: مستوى ضغط الصوت (83 ديسيبل(A)؛ مستوى طاقة الصوت (94 ديسيبل (A)) عدم الاستقرار عندما $K = 5$ ديسيبل.

يرجى ارتداء واقيات السمع!

قيم الاهتزاز الكلية ah (مجموع متجه ثلاثي) وعدم التاكيد K المحددة وفقاً لـ EN 6284123:

الحفر في المواد المعنوية $ha = 4.5 \text{ m/s}^2$ ، و $k = 21.5 \text{ m/s}^2$ تم قياس مستوى الاهتزاز وقيمة انبعاث الضوضاء الواردة في هذه التعليمات وفقاً لإجراء قياس موحد ويمكن استخدامها لمقارنة أدوات الطاقة. كما يمكن استخدامها في تقدير أولي لانبعاثات الاهتزازات والضوضاء.

يمثل مستوى الاهتزاز المعلن وقيمة انبعاث الضوضاء التطبيقات الرئيسية لأداة الطاقة. ومع ذلك، إذا تم استخدام أداة الطاقة لتطبيقات أخرى، مع أدوات تطبيق مختلفة أو تم صيانتها بشكل سيئ، فقد يختلف مستوى الاهتزاز وقيمة انبعاث الضوضاء. قد يؤدي هذا إلى زيادة انبعاثات الاهتزاز والضوضاء بشكل كبير خلال فترة العمل الإجمالية.

لتقدير انبعاثات الاهتزازات والضوضاء بدقة، يجب أيضاً مراعاة الأوقات التي يتم فيها إيقاف تشغيل الأداة أو وقت تشغيلها ولكن لا يتم استخدامها بالفعل.

قد يقلل هذا بشكل كبير من انبعاثات الاهتزازات والضوضاء خلال فترة العمل الإجمالية. تنفيذ تدابير أمان إضافية لحماية المشغل من آثار الاهتزاز، مثل خدمة أداة الطاقة وأدوات التطبيق، والحفاظ على تدفئة أيديهم، وتنظيم سير العمل بشكل صحيح.

3. عندما لا تكون حزمة البطارية قيد الاستخدام، ابعدها عن الأشياء المعدنية الأخرى، مثل المشابك الورقية أو العملات المعدنية أو المفاتيح أو الأظافر أو البراغى أو غيرها من الأشياء المعدنية الصغيرة، التي يمكنها الاتصال من محطة إلى أخرى. قد يتسبب قصر مصير محطات البطارية معًا في حدوث حروق أو حريق.
 4. يجوز إخراج السائل من البطارية في ظروف تصفية؛ تجنب الاتصال. إذا حدث الاتصال عن طريق الخطأ، اغسله بالماء إذا لامس السائل العين، فاطلب المساعدة الطبية أيضًا. قد يسبب السائل القادم من البطارية تهيجًا أو حروقًا.
 5. لا تستخدم حزمة بطارية أو أداة تالفة أو معقدة. قد تظهر البطاريات التالفة أو المعقدة سلوكًا لا يمكن التنبؤ به مما يؤدي إلى حريق أو انفجار أو خطر الإصابة.
 6. لا تعرض حزمة بطارية أو أداة للحريق أو درجة حرارة مفرطة. قد يتسبب التعرض للحريق أو درجة الحرارة التي تزيد عن 130 درجة مئوية في حدوث انفجار.
 7. اتبع جميع تعليمات الشحن ولا تشحن حزمة البطارية أو الأداة خارج نطاق درجة الحرارة المحدد في التعليمات. قد يؤدي الشحن بشكل غير صحيح أو في درجات حرارة خارج النطاق المحدد إلى إتلاف البطارية وزيادة خطر نشوب حريق.
- الخدمة**
1. لا تقم بصيانة الأداة الكهربائية التي لديك إلا بواسطة فني إصلاح موهل لاستخدام قطع غير متطابقة. وذلك للحفاظ على سلامة الأداة الكهربائية.
 2. لا تقدم أبدًا حزم البطاريات التالفة. يجب أن يتم توفير خدمة عيوات البطاريات من قبل الشركة المصنعة أو مزودي الخدمة المعتمدين فقط.
- تعليمات سلامة إضافية للمطاحن، والملمعات من نوع القرص والصنفرة من نوع القرص**
- عام**
- يمكن طباعة هذا الجزء بشكل منفصل عن "تحذيرات السلامة العامة للأداة الكهربائية".
- في تعليمات السلامة هذه، يتم تحديد مصطلحات مثل الجلب / ماكينة التحلحات/الصنفرة / ماكينة الصقل أو التنظيف بالفرشاة السليكية / الفرشاة السليكية أو التلميع / ماكينة التلميع أو أداة القطع / القاطعة من قبل الشركة المصنعة. تستخدم هذه المصطلحات في التحذيرات والعناوين أو تحذف باستمرار استنادًا إلى العمليات المختارة. يمكن استخدام حروف العطف "و" أو "أو" حسب الاقتضاء.
- إذا كانت أداة الطاقة مخصصة لأحدى العمليات المذكورة فقط، فسيستخدم عنوان هذا القسم لكل التحذيرات.

تعليمات السلامة لجميع العمليات

تحذيرات السلامة التي تتعلق بعمليات التجليخ أو الصنفرة أو تنظيف الأسلاك أو التلميع أو القطع:

1. صُممت هذه الماكينة الكهربائية لنقوم بالتجليخ والصنفرة وتنظيف الأسلاك والقطع. اقرأ كافة تحذيرات السلامة والتعليمات والرسومات التوضيحية والمواصفات المتوفرة مع أداة الطاقة هذه. قد يؤدي عدم اتباع جميع التعليمات الفدرجة أدناه إلى حدوث صدمة كهربائية أو نشوب حريق / أو التسبب في حدوث إصابة بالغة.
2. لا يجب إجراء عمليات مثل الطحن أو الصنفرة أو تنظيف الأسلاك بالفرشاة أو التلميع أو قطع الثقوب أو القطع باستخدام هذه الأداة الكهربائية. يتسبب استخدام الأداة الكهربائية في الأغراض غير المخصصة لها إلى حدوث مخاطر والتسبب في وقوع إصابات شخصية.
3. لا تقم بتحويل هذه الأداة الكهربائية للعمل بطريقة غير مصممة خصيصًا ومحددة من قبل الشركة المصنعة للأداة. قد يؤدي هذا التحويل إلى فقدان السيطرة والتسبب في وقوع إصابة شخصية خطيرة.

تحذيرات السلامة العامة للأداة الكهربائية

تحذير احرص على قراءة جميع تحذيرات السلامة والتعليمات والرسوم التوضيحية والموصفات المتوفرة مع الأداة الكهربائية هذه. يؤدي عدم اتباع جميع التعليمات المدرجة أدناه إلى حدوث صدمة كهربائية أو نشوب حريق وأو التسبب في حدوث إصابة بالغة.

حفظ جميع التحذيرات والتعليمات لاستخدامها كمرجع في المستقبل.

يشير مصطلح "الأداة الكهربائية" في التحذيرات إلى الأدوات التي تعمل بالكهرباء (المنزلية) أو التي تعمل بالطارية (المنزلية).

سلامة منطقة العمل

1. حافظ على مساحة العمل نظيفة وجيدة الإضاءة. المناطق الفوضوية أو المظلمة قد تسبب في وقوع الحوادث.
2. لا تقم بتشغيل الأدوات الكهربائية في الأجواء المتفجرة، مثل وجود سوائل قابلة للاشتعال أو غازات أو غبار. ينتج عن الأدوات الكهربائية شرارات قد تسبب في اشتعال الغبار أو الأبخرة.
3. احرص على إبقاء الأطفال والمارة بعيداً أثناء تشغيل الأداة الكهربائية. قد تفقد السيطرة نتيجة التشتت.

السلامة الكهربائية

1. يجب أن تتناسب مقاييس الآلة الكهربائية مع المنفذ. ممنوع تماماً تعديل القابس بأي شكل من الأشكال. لا تستخدم أي مقابس تحويل مع الآلة الكهربائية المورضة. المقابس غير المحزلة والمخارج الكهربائية المطابقة تقلل من خطر التعرض للصعق الكهربائي.
2. تجنب ملاسك جسدك للأسطح المورضة، مثل الأبواب والمشعات والموافد والثلاجات. يزيد أي خطر التعرض للصعق الكهربائي في حالة تيار ضخم.
3. لا تعرض الأداة الكهربائية للمطر أو الظروف الجوية الرطبة. دخول المياه إلى الأداة الكهربائية يزيد من خطر التعرض للصعق الكهربائي.
4. لا تسمى استعمال السلك الكهربائي. ممنوع تماماً حمل الأداة الكهربائية أو سحبها أو فصلها باستخدام السلك. ابعث السلك عن الحرارة أو الشحوم أو الحواف الحادة أو الأجزاء المتحركة. الأسلاك التالفة أو المتشابكة تزيد من خطر التعرض للصعق الكهربائي.
5. يرجى استخدام كابل إطالة مناسب للاستخدام الخارجي. عند تشغيل الآلة الكهربائية في الهواء الطلق، استخدم سلك مناسب للاستخدام في المناطق الخارجية يقلل من خطر التعرض للصعق الكهربائي.
6. في حال أصبح تشغيل الآلة في مكان رطب أمراً لا مفر منه، استخدم وحدة إمداد كهربائية محمية بالتيار المتبقي (RCD). استخدم قاطع دائرة التيار المتبقي (RCD) يقلل من خطر التعرض للصعق الكهربائي.

السلامة الشخصية

1. احترس وانتبه لما تقوم به واستخدم الحس السليم عند تشغيلك للأداة الكهربائية. لا تستخدم الأداة الكهربائية إذا كنت مرهقاً أو تحت تأثير العقاقير أو الكحوليات أو الأدوية. قد تؤدي الغفلة للحظة واحدة أثناء تشغيل الأدوات الكهربائية إلى تعرض الأشخاص لإصابة خطيرة.
2. استخدم معدات الوقاية الشخصية. احرص دائماً على ارتداء نظارات حماية العين. معدات الوقاية مثل كاماة الغبار أو أحذية السلامة غير القابلة للارتداء أو القبعات الصلبة أو واقبات السمع مستقل من حدوث الإصابات الشخصية.
3. المحبولة دون بدء التشغيل غير المقصود. تأكد من أن المفتاح في وضع إيقاف التشغيل قبل توصيل القابس بمصدر الطاقة و / أو تركيب حزمة البطارية، أو عند التقاط أو حمل الأداة. حمل الأدوات الكهربائية وإصبعك على المفتاح أو أدوات الإمداد الكهربائية التي تحتوي على مفتاح قد يتسبب في وقوع حوادث.

4. إزالة أي مفتاح ضبط أو مفتاح ربط قبل تشغيل الأداة الكهربائية. حيث إنه من المتوقع أن يتسبب ترك هذا المفتاح معلقاً بالجزء الدوار بالأداة في وقوع إصابات شخصية.
5. لا تقرب بشدة من الجهاز. واحرص على ثبات موطئ القدم والتوازن في جميع الأوقات. فينالك يمكنك التحكم في الأداة الكهربائية بشكل أفضل في المواقف غير المتوقعة.
6. ارتداء الملابس اللازمة. لا ترتدي ملابس فضفاضة أو مجوهرات. احرص على إبعاد شعرك وملابسك عن الأجزاء المتحركة. يمكن للملابس الفضفاضة أو المجوهرات أو الشعر الطويل أن يعلق في الأجزاء المتحركة.
7. في حال توفير أجهزة لتوصيل مراقف شقظ الغبار وتجميعه، فتأكد من توصيلها واستخدامها بشكل صحيح. استخدام أنظمة تجميع الغبار من شأنه الحد من المخاطر المرتبطة بالآتية.
8. لا تدع المعرفة المكتسبة من الاستخدام المتكرر للأدوات توهي لك بالشعور بالرضا وتجاهل مبادئ سلامة الأداة. الإهمال قد يتسبب في إصابة خطيرة في عضه عين.

استخدام الأدوات الكهربائية والعناية بها

1. لا تجبر الأداة الكهربائية على القيام بمهام لم تصمم لتنفيذها. استخدم أداة الكهربائية المناسبة للمهمة. ستنتج الأداة الكهربائية العمل بشكل أفضل وأكثر أمناً بالمعدل الذي صممت من أجله.
2. لا تستخدم الأداة الكهربائية إذا كان المفتاح لا يقوم بتشغيلها وإيقاف تشغيلها. أي أداة كهربائية لا يمكن التحكم فيها باستخدام المفتاح تعتبر أداة خطيرة ويلزم إصلاحها.
3. أفضل القابض عن مصدر الطاقة و / أو اخرج حزمة البطارية من الأداة الكهربائية قبل إجراء أي تعديلات أو تغيير للملحقات أو عند تخزين الأدوات الكهربائية. حيث تعمل مثل هذه الإجراءات الوقائية على الحد من خطر التشغيل المفاجئ للآلة.
4. استخز في الأدوات الكهربائية المعطلة بعيداً عن متناول الأطفال مع عدم السماح لأي شخص ليس على دراية بكيفية استخدامها أو بتعليمات تشغيلها. تمثل الأدوات الكهربائية خطورة عندما تقع في أيدي غير المدربين على استعمالها.
5. صيانة الأداة الكهربائية وملحقاتها. تحقق من عدم وجود أي علق أو تعارض بين الأجزاء المتحركة ، وعدم وجود أي كسر في القطع وأي حالة أخرى قد تؤثر على تشغيل الأدوات الكهربائية. في حال تعرض الأداة الكهربائية للتلف، يجب إصلاحها قبل الاستخدام. حيث يمكن أن تسبب الأدوات الكهربائية التي لم يتم صيانتها جيداً في وقوع كثير من الحوادث.
6. الحفاظ على أدوات القطع حادة ونظيفة. أدوات القطع ذات الحواف الحادة التي يتم صيانتها بشكل صحيح تكون أقل عرضة للتلف وأسهل في التحكم بها.
7. استخدم الأداة الكهربائية والملحقات والريش وما إلى ذلك وفقاً لهذه التعليمات، مع مراعاة ظروف العمل والأعمال التي يتعين القيام بها. استخدام الأداة الكهربائية في تنفيذ مهام مختلفة عما صممت من أجله قد يتسبب عنه أوضاع خطيرة.
8. الحفاظ على المقابض وأسطح الإمساك جافة ونظيفة وخالية من الزيوت والشحوم. لا يُسمح باستخدام المقابض الزلقة وأسطح الإمساك من أجل التعامل الآمن مع الأداة والتحكم فيها في المواقف غير المتوقعة.

استخدام الأدوات الكهربائية والعناية بها

1. إعادة الشحن فقط بإشاحن المحدث من قبل الشركة المصنعة. قد يؤدي استخدام الشاحن المناسب لنوع واحد من حزمة البطارية إلى خطر نشوب حريق عند استخدامه مع حزمة بطارية أخرى.
2. استخدم أدوات الطاقة فقط مع حزم بطاريات محددة على وجه التحديد. قد يؤدي استخدام أي عبوات بطارية أخرى إلى خطر الإصابة والحريق.

DE-JM20-3 DE-JM20-3X ...	DE-JM20-2 DE-JM20-2X ...	DE-JM20-1 DE-JM20-1X ...	الطرز
20V			(الفلطية المقدره (الجهد المقدر
115 ملم	125 ملم	100 ملم	القدرة المقدره
M14		M10	السرعة المقدره
0-3500/6000/10000 لفة في الدقيقة			فئة السلامة
1.2 كجم		1.18 كجم	أداة لاسلكية(وزن الماكينة)

D4 ، D2 ، A4 ، A2 = X ،... يُستخدَموا فقط لعملاء مختلفين، كما لا توجد تغييرات ذات صلة أمانة بين تلك الطرز.

يمكن أن تبلغ السعة الأولية للبطارية إلى 20.8 فولط، حيث تبلغ القيمة في ظل الاستخدام العادي 18 فولط.

! تحذيراً يرجى استخدام حزم البطاريات وأجهزة الشحن المدرجة فقط. قد يؤدي استخدام أي عبوات بطارية أخرى إلى خطر الإصابة والحريق.

'نصح باختبار الملحقات من مكان الشراء الأصلي للأداة الكهربائية. يُرجى اختيار الملحقات الصحيحة التي تحتاجها لإنجاز عملك. يُرجى الإطلاع على حزمة الملحقات لتحقيق الاستخدام الأفضل للجهاز والمساعدة.

2.0 أمبير في الساعة	DE-DC20A2	حزمة بطارية
2.5 أمبير في الساعة	DE-DC20A3	
4.0 أمبير في الساعة	DE-DC20A4	
5.0 أمبير في الساعة	DE-DC20A5	
6.0 أمبير في الساعة	DE-DC20A6	
8.0 أمبير في الساعة	DE-DC20B8	
2A شحنة واحدة	DE-CD20A2E	شاحن
4A شحنة مزدوجة	DE-CD20D4E	
8A شحنة واحدة	DE-CD20A8E	

الرموز

 لا تضع هذه الأداة الكهربائية في الماء	 يرجى ارتداء القفازات الواقية	 علامة التحذير	 اقرأ دليل التعليمات
 لا تضع هذه الأداة الكهربائية في النار	 يرجى ارتداء أقفعة الواقية	 يرجى ارتداء النظارات الواقية	 يرجى ارتداء أغطية الأذن الواقية
 تحتوي البطاريات على أيون الليثيوم. لحماية البيئة، يجب فرز البطاريات المهملة وإعادة تدويرها، ولا ينبغي إلغاؤها في سلة المهملات.		 يرجى إزالة حزمة البطارية قبل استبدال الملحقات	
		 شهادة الاتحاد الجمركي	

