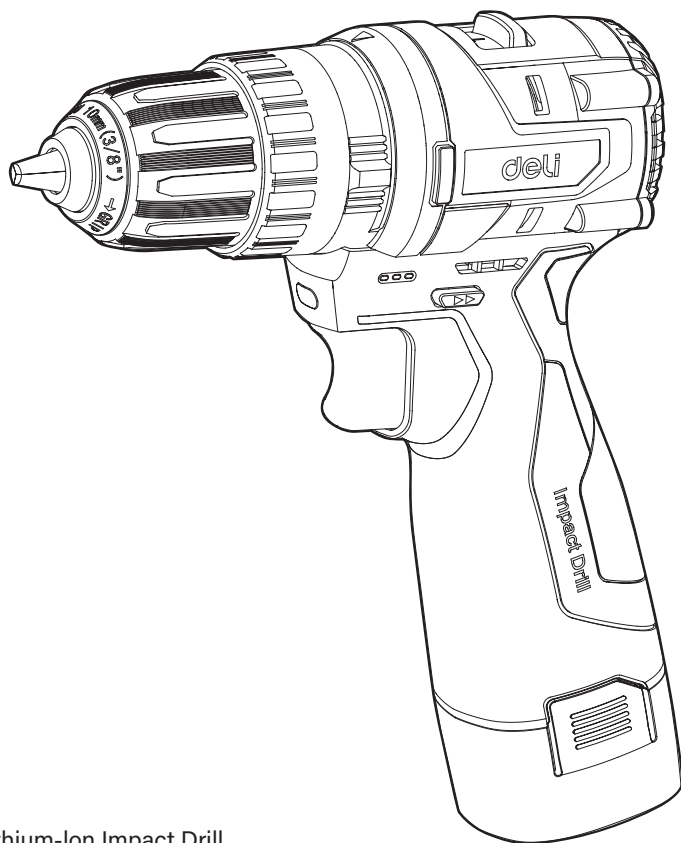


deli

DE-CZ16-1D2 DE-CZ16-2D2



- EN** Lithium-Ion Impact Drill
DE Schlagbohrmaschine mit Lithiumbatterie
FR Perceuse à percussion au lithium-ion
ES Taladro de impacto de taladro eléctrico de litio
PT Furadeira de impacto com bateria de Ion de Lítio
RU Ударная дрель с литиевым аккумулятором
AR مثقاب تأثير ببطارية الليثيوم

Specifications


















Model		DE-CZ16-1D2	DE-CZ16-2D2
Rated voltage		16V \equiv	
Maximum torque		45N.m	55N.m
No-load speed		0-450/0-1800/min	
Impact frequency		0-7650/0-30600bpm	
Maximum chuck capacity		10mm	
Maximum chuck capacity	Wood	25mm	
	Steel	10mm	
Machine weight		0.75kg	0.76kg

Warning! Please only use the listed battery packs and chargers. Using other types of battery packs or chargers may cause personal injury and/or fire.

It is recommended to select the accessories from the store where you purchased your power tool. Please select the correct accessories for your job. Please refer to the accessories package for more usage and help.

Battery pack	DE-DC16A2	2.0Ah
	DE-DC16A3	2.5Ah
Charger	DE-CD16A1E	1.5A Single charge

Symbols

 Read the instruction manual	 Warning sign	 Please wear protective glasses	 Do not put it into the water
 Please wear protective earmuffs	 Please wear safety glasses	 Lock	 Do not put it into the fire
 Please wear protective mask	 High speed	 Low speed	 Impact drilling
 Wood	 Drill hole	 Batteries contain lithium ion. To protect the environment, the discarded batteries should be sorted and recycled, and should not be thrown into the trash can.	
 Metal	 Screwdriver	 Li-Ion	

Application

This tool is used for impact drilling on bricks, brick structures and masonry. It is also suitable for tightening screws and non-impact drilling in wood, metal, ceramics and plastics.

Original Instructions

General power tool safety warnings

WARNING Read all safety warnings, instructions, illustrations and specifications provided with this power tool. Failure to follow all instructions listed below may result in electric shock, fire and/or serious injury.

Save all warnings and instructions for future reference. The term "power tool" in the warnings refers to your mains-operated (corded) power tool or battery-operated (cordless) power tool.

Work area safety

1. **Keep work area clean and well lit.** Cluttered or dark areas invite accidents.
2. **Do not operate power tools in explosive atmospheres, such as in the presence of flammable liquids, gases or dust.** Power tools create sparks which may ignite the dust or fumes.
3. **Keep children and bystanders away while operating a power tool.** Distractions can cause you to lose control.

Electrical safety

1. **Power tool plugs must match the outlet. Never modify the plug in any way. Do not use any adapter plugs with earthed (grounded) power tools.** Unmodified plugs and matching outlets will reduce risk of electric shock.
 2. **Avoid body contact with earthed or grounded surfaces, such as pipes, radiators, ranges and refrigerators.** There is an increased risk of electric shock if your body is earthed or grounded.
 3. **Do not expose power tools to rain or wet conditions.** Water entering a power tool will increase the risk of electric shock.
 4. **Do not abuse the cord. Never use the cord for carrying, pulling or unplugging the power tool. Keep cord away from heat, oil, sharp edges or moving parts.** Damaged or tangled cords increase the risk of electric shock.
 5. **When operating a power tool outdoors, use an extension cord suitable for outdoor use.** Use of a cord suitable for outdoor use reduces the risk of electric shock.
 6. **If operating a power tool in a damp location is unavoidable, use a residual current device (RCD) protected supply.** Use of an RCD reduces the risk of electric shock.
- and use common sense when operating a power tool. Do not use a power tool while you are tired or under the influence of drugs, alcohol or medication. A moment of inattention while operating power tools may result in serious personal injury.
2. **Use personal protective equipment. Always wear eye protection.** Protective equipment such as a dust mask, non-skid safety shoes, hard hat or hearing protection used for appropriate conditions will reduce personal injuries.
 3. **Prevent unintentional starting. Ensure the switch is in the off-position before connecting to power source and/or battery pack, picking up or carrying the tool.** Carrying power tools with your finger on the switch or energising power tools that have the switch on invites accidents.
 4. **Remove any adjusting key or wrench before turning the power tool on.** A wrench or a key left attached to a rotating part of the power tool may result in personal injury.
 5. **Do not overreach. Keep proper footing and balance at all times.** This enables better control of the power tool in unexpected situations.
 6. **Dress properly. Do not wear loose clothing or jewellery. Keep your hair and clothing away from moving parts.** Loose clothes, jewellery or long hair can be caught in moving parts.
 7. **If devices are provided for the connection of dust extraction and collection facilities, ensure these are connected and properly used.** Use of dust collection can reduce dust-related hazards.
 8. **Do not let familiarity gained from frequent use of tools allow you to become complacent and ignore tool safety principles.** A careless action can cause severe injury within a fraction of a second.

Power tool use and care

1. **Do not force the power tool. Use the correct power tool for your application.** The correct power tool will do the job better and safer at the rate for which it was designed.
2. **Do not use the power tool if the switch does not turn it on and off.** Any power tool that cannot be controlled with the switch is dangerous and must be repaired.
3. **Disconnect the plug from the power source and/or remove the battery pack, if detachable, from the power tool before making any adjustments, changing accessories, or storing power tools.** Such preventive

Personal safety

1. **Stay alert, watch what you are doing**

safety measures reduce the risk of starting the power tool accidentally.

- 4. Store idle power tools out of the reach of children and do not allow persons unfamiliar with the power tool or these instructions to operate the power tool.** Power tools are dangerous in the hands of untrained users.
- 5. Maintain power tools and accessories. Check for misalignment or binding of moving parts, breakage of parts and any other condition that may affect the power tool's operation. If damaged, have the power tool repaired before use.** Many accidents are caused by poorly maintained power tools.
- 6. Keep cutting tools sharp and clean.** Properly maintained cutting tools with sharp cutting edges are less likely to bind and are easier to control.
- 7. Use the power tool, accessories and tool bits etc. in accordance with these instructions, taking into account the working conditions and the work to be performed.** Use of the power tool for operations different from those intended could result in a hazardous situation.
- 8. Keep handles and grasping surfaces dry, clean and free from oil and grease.** Slippery handles and grasping surfaces do not allow for safe handling and control of the tool in unexpected situations.

Battery tool use and care

- 1. Recharge only with the charger specified by the manufacturer.** A charger that is suitable for one type of battery pack may create a risk of fire when used with another battery pack.
- 2. Use power tools only with specifically designated battery packs.** Use of any other battery packs may create a risk of injury and fire.
- 3. When battery pack is not in use, keep it away from other metal objects, like paper clips, coins, keys, nails, screws or other small metal objects, that can make a connection from one terminal to another.** Shorting the battery terminals together may cause burns or a fire.
- 4. Under abusive conditions, liquid may be ejected from the battery; avoid contact. If contact accidentally occurs, flush with water. If liquid contacts eyes, additionally seek medical help.** Liquid ejected from the battery may cause irritation or burns.
- 5. Do not use a battery pack or tool that is damaged or modified.** Damaged or modified

batteries may exhibit unpredictable behaviour resulting in fire, explosion or risk of injury.

- 6. Do not expose a battery pack or tool to fire or excessive temperature.** Exposure to fire or temperature above 130 °C may cause explosion.
- 7. Follow all charging instructions and do not charge the battery pack or tool outside the temperature range specified in the instructions.** Charging improperly or at temperatures outside the specified range may damage the battery and increase the risk of fire.

Service

- 1. Have your power tool serviced by a qualified repair person using only identical replacement parts.** This will ensure that the safety of the power tool is maintained.
- 2. Never service damaged battery packs.** Service of battery packs should only be performed by the manufacturer or authorized service providers.

Additional safety instructions for Drill

Safety Instructions for all operations

- 1. Wear ear protectors when impact drilling.** Exposure to noise can cause hearing loss.
- 2. Brace the tool properly before use.** This tool produces a high output torque and without properly bracing the tool during operation, loss of control may occur resulting in personal injury.
- 3. Hold the power tool by insulated gripping surfaces, when performing an operation where the cutting accessory may contact hidden wiring .** Cutting accessory contacting a "live" wire may make exposed metal parts of the power tool "live" and could give the operator an electric shock.

Safety instructions when using long drill bits

- 1. Never operate at higher speed than the maximum speed rating of the drill bit.** At higher speeds, the bit is likely to bend if allowed to rotate freely without contacting the workpiece, resulting in personal injury.
- 2. Always start drilling at low speed and with the bit tip in contact with the workpiece.** At higher speeds, the bit is likely to bend if allowed to rotate freely without contacting the workpiece, resulting in personal injury.

3. Apply pressure only in direct line with the bit and do not apply excessive pressure. Bits can bend causing breakage or loss of control, resulting in personal injury.

CE Noise/vibration information

Noise emission values determined according to EN 62841-2-1.

Typically, the A-weighted noise level of the power tool is: Sound pressure level 83 dB(A); sound power level 94 dB(A). Uncertainty K = 5 dB.

Wear hearing protection!

Vibration total values a_h (triax vector sum) and uncertainty K determined according to EN 62841-2-1:

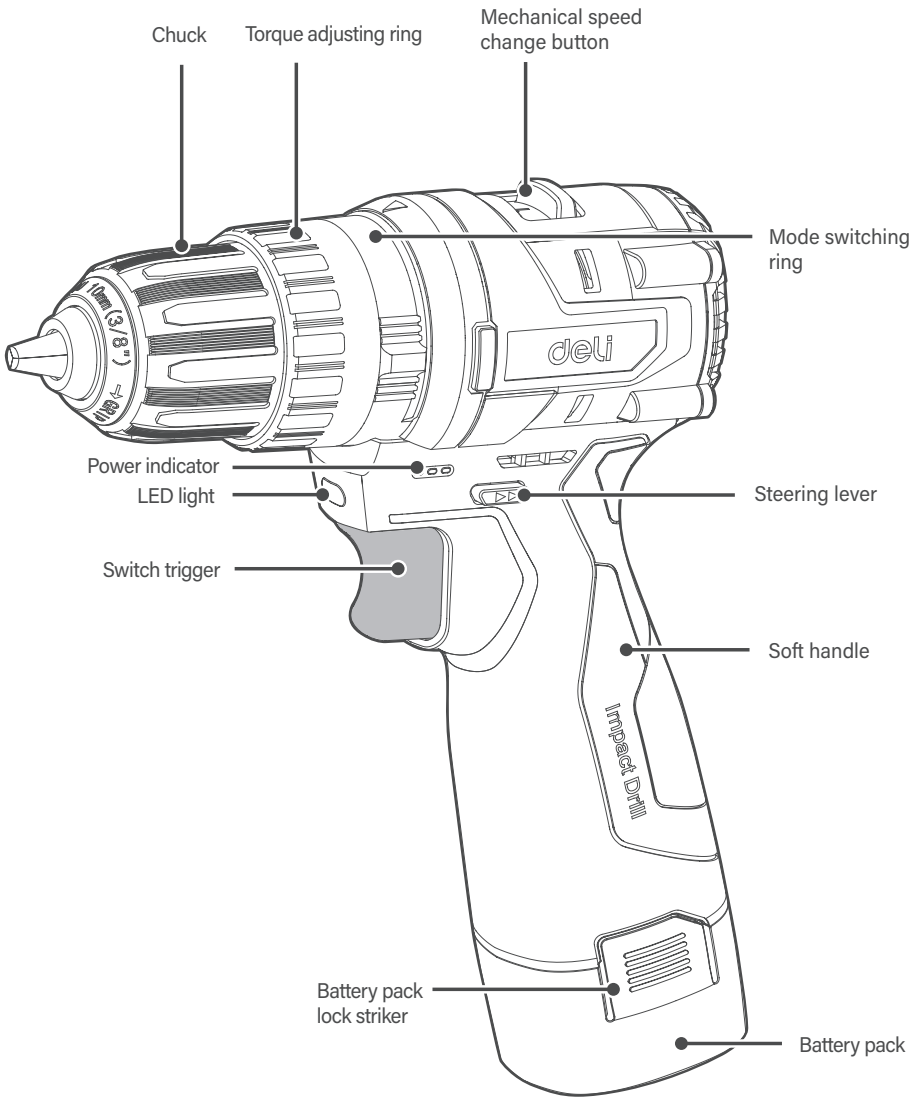
Drilling in metal: $a_h = 4.5 \text{ m/s}^2$, $K = 1.5 \text{ m/s}^2$

The vibration level and noise emission value given in these instructions have been measured in accordance with a standardised measuring procedure and may be used to compare power tools. They may also be used for a preliminary estimation of vibration and noise emissions.

The stated vibration level and noise emission value represent the main applications of the power tool. However, if the power tool is used for other applications, with different application tools or is poorly maintained, the vibration level and noise emission value may differ. This may significantly increase the vibration and noise emissions over the total working period.

To estimate vibration and noise emissions accurately, the times when the tool is switched off or when it is running but not actually being used should also be taken into account.

This may significantly reduce vibration and noise emissions over the total working period. Implement additional safety measures to protect the operator from the effects of vibration, such as servicing the power tool and application tools, keeping their hands warm, and organising workflows correctly.



Chuck

Torque adjusting ring

Mechanical speed change button

Mode switching ring

Power indicator LED light

Steering lever

Switch trigger

Soft handle

Battery pack lock striker

Battery pack

Operation Instructions

Note: Read the Instruction manual before operation.

1 Install/remove battery pack

When installing or removing the battery pack, please ensure that the machine is in a shutdown state; When removing the battery pack, press the button above the battery pack while pulling it out of the tool; When installing the battery pack, align the reed on the battery pack with the groove on the machine housing, and then slide it into place. Insert it fully into place until the battery pack is locked and clicks. If it is not installed properly, it may cause the battery pack to detach from the tool and cause personal injury.

2 Remove/insert drill bit



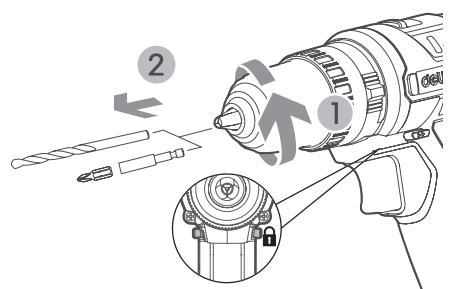
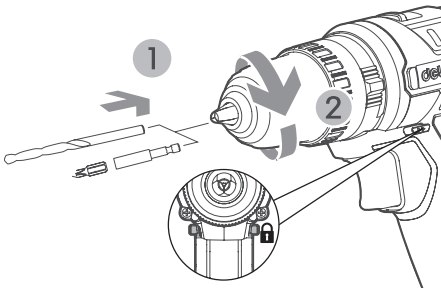
Warning! Before replacing accessories, be sure to turn off the power switch and remove the battery pack; Try to put the drill bit into the innermost part of the chuck and ensure that the drill bit is clamped; Before starting the tool, ensure that there are no safety hazards to the chuck, as damage or looseness of the chuck may cause personal injury.



Please wear protective gloves when inserting the plug



Please wear protective gloves when removing the plug

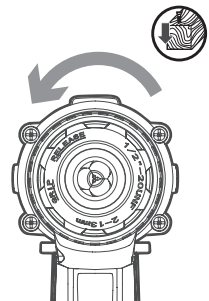
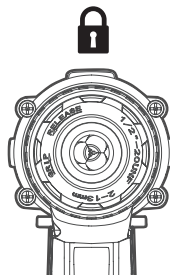
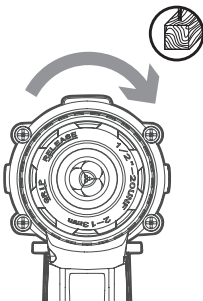


3 Forward and reverse switching



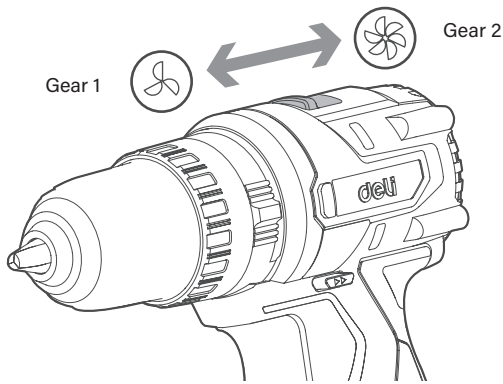
Warning!

1. Please confirm the rotation direction of the tool before operation;
2. The steering lever can only be used when the tool completely stops rotating. It can cause damage to the steering lever if the rotation direction is changed during tool operation;
3. When tool is not used, always set the steering lever to the neutral position. When the steering lever is in the neutral position, the switch cannot be pressed.



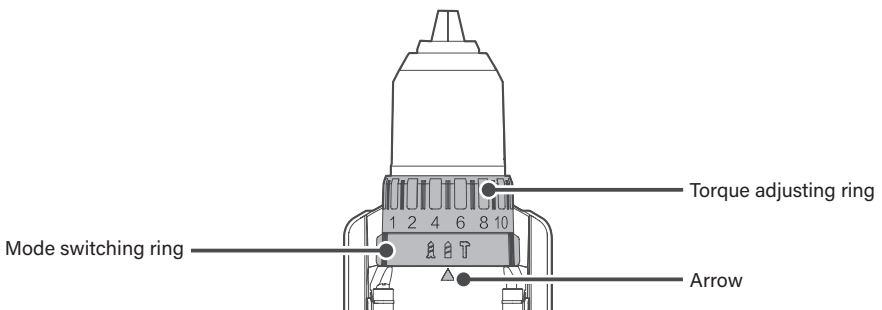
4 Speed shift

Be sure to fully set the mechanical speed change button to the correct position. The power drill may be damaged if it is turned on when the mechanical speed change button is in the middle of gear "1" and "2".



5 Torque adjustment


The tightening torque can be adjusted within 20 levels by rotating the adjusting ring. Align the scale with the arrow on the tool body. The tightening torque is minimum when it is set to 1, and the tightening torque is maximum when it is set to 20.




6 Tighten the screw

Caution: Adjust the adjusting ring to the appropriate torque level for operation.

Caution: Be sure to insert the screwdriver bit straight into the screw head end, otherwise it may damage the screw and/or screwdriver bit.

First, rotate the action mode switching ring so that the arrow on the machine body points towards . Place the tip of the screwdriver bit into the screw head and apply pressure to the tool.

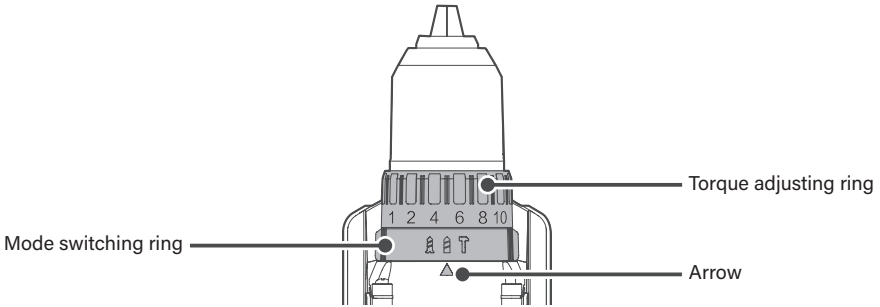
7 Drill hole operation

First, turn the adjusting ring so that the arrow points towards . Then perform the drilling operation.
Drilling holes in wood:


The drill bit with a leading screw used for wood can achieve the best results when drilling holes in wood. This leading screw makes the drilling operation easier.

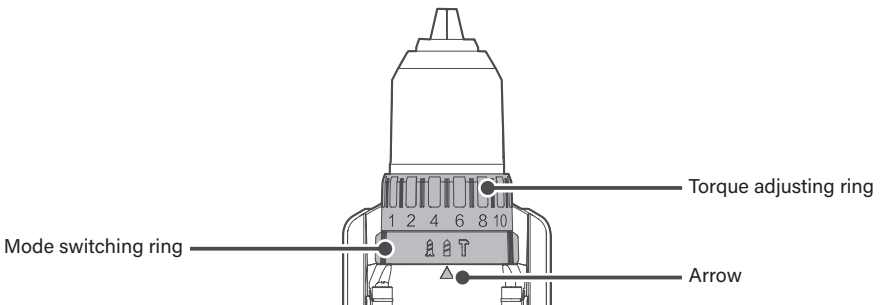
Drilling holes in metal:

When starting to drill holes, in order to prevent the drill bit from slipping, a pointed punch and hammer can be used to make a mark on the metal plate where you want to drill. Insert the tip of the drill bit into the dent and start drilling. Please use cutting oil when drilling holes in metal. The dry drilling should be done when drilling holes in iron and copper material.



8 Impact drilling operation

First, rotate the action mode switching ring so that the arrow on the machine body points towards . The adjusting ring can be aligned with any torque level when performing this operation. Align the drill bit with the position to be drilled, and then pull the switch trigger. Do not use tools with excessive force. Gently applying pressure has the best effect. Maintain correct tool positioning to prevent tool deviation from the hole position.



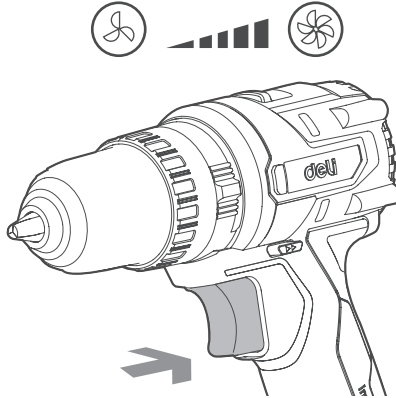
9 On/Off



Warning! Do not use the start/stop switch to operate at low speed for a long time, otherwise the inner of the machine may overheat and cause tool damage.



Please wear protective earmuffs



10 LED indication



Warning! Please ensure that LED light turns on by pressing the switch when the steering lever is at the far left or right position.

This tool is equipped with a tool/battery protection system. This system can automatically cut off the power supply for the motor to extend the tool and battery life. If the tool or battery is in the following conditions during operation, the tool will automatically stop running. The indicator light will light up in some cases.


- **Overload protection:** The tool will automatically stop running when operating the tool/battery in a way that causes abnormally high current. In this case, please turn off the tool and stop the application that caused the tool to overload. Then turn on the tool to restart.
- **Overheat protection:** The tool will automatically stop running when the tool/battery overheats. In this case, please wait for the tool to cool down before restarting the tool.
- **Over discharge protection:** this tool automatically stops running when the remaining battery power decreases. If this product does not operate even when the switch is turned on, please remove the battery from the tool and charge it.
- **Protection for other reasons:** The protection system is also suitable for other situations that may cause damage to the tool, thereby automatically stopping the tool from running. When the tool temporarily or midway stops working, perform all the following steps to eliminate the cause of the abnormality.
 1. Turn off the tool and restart it again.
 2. Charge the battery or replace it with a rechargeable one.
 3. Please wait for the tools and battery to cool down.

Troubleshooting

1. Why is the machine not running when the switch trigger is pressed?

There is a steering lever on the upper part of the switch, and the machine will lock the start/stop switch when this lever is in the middle position. Move the lever to the position where it needs to be turned, then press the button, and the machine will start to rotate.

2. Why does the hand drill stop running before the screws are tightened?

Please adjust the torque adjusting ring between the body and the chuck at this time. Position 1 corresponds to the minimum torque, while position 20 corresponds to the maximum torque. Position  is designed for drilling holes. This problem can be solved after adjusting the torque adjusting ring to a higher gear.

3. Why does the working time of the same battery pack vary?

As above, if a battery pack is left unused for too long, it will shorten its working time. This situation will be improved after several charges and uses. The battery pack's power will also be consumed quickly when doing heavy work, for example, drive the large screw into hardwood. Do not charge the battery pack in environments below 0°C or above 40°C, as this can also affect its performance.

Maintenance



Warning! Before performing any replacement or maintenance work on the machine, be sure to pull out the plug first.

Before performing any replacement or maintenance work on the machine, be sure to pull out the battery first.

Your power tool does not require any additional lubrication or maintenance. Do not clean your power tools by using water or chemical cleaning agents, just wipe them clean with a dry cloth. Tools should be stored in a dry environment and kept clean at the motor vents. Try not to use it in a dusty environment.

Environmental protection



Disposal of waste

In response to environmental protection, damaged machines, accessories and packaging materials must be sorted carefully for easy recycling. In order to facilitate sorting and recycling, all plastic parts are marked with materials.

Product Warranty Card

Dear users :

Thank you for buying our products. In order to ensure your profit, users who buy our products can contact local distributor or Specified repair stations with invoice and warranty cards if the product failures due to quality problems.

Warranty Notice:

1. From _____ (Year/Month/Day) to _____ (Year/Month/Day), If the failure happen in normal use, our company will provide free warranty, parts replacement and other services according to the failure situation.
2. This warranty card and purchase invoice are the voucher of after-sales service provided by our company to customers. The card must be detailed only after filling in the following form and affixing the official seal with the distributor.
3. In one of the following cases, free warranty service will be invalid, and maintenance fees will be required:
 - (1) Exceed the expiration date.
 - (2) Failure or damage caused by not following the requirements of the product manual, maintenance or improper storage.
 - (3) Failure or damage caused by disassembling, repairing or modication of the product without the permission of our company.
 - (4) Machine breakdown or damage caused by force majeure.
 - (5) Consumable accessories.

This card is issued with the product. One card for one machine, to ensure that you can fully enjoy the right to free warranty service provided by the company, please keep this card properly, lost will not be replaced.

Purchase Date: _____ (Year/Month/Day)

Product Certificate

Inspector:

01

Date of manufacture:

NINGBO DELI TOOLS CO., LTD.
No. 128 Chezhan West Road, Huangtan Town,
Ninghai County, Ningbo, Zhejiang, China
delitoolsglobal@nbdeli.com
www.delitoolsglobal.com
+86 574 87562689
MADE IN CHINA

Reserved for future use
Version: 1.0
Date: June., 2022



Technische Daten

Modell	DE-CZ16-1D2	DE-CZ16-2D2
Nennspannung	16V \equiv	
Maximales Drehmoment	45N.m	55N.m
Leerlaufdrehzahl	0-450/0-1800/min	
Schlagfrequenz	0-7650/0-30600bpm	
Maximale Spannutterkapazität	10mm	
Maximale Bohrleistung	Holz	25mm
	Stahl	10mm
Gewicht	0.75kg	0.76kg



Achtung! Bitte verwenden Sie nur die aufgelisteten Akkupacks und Ladegeräte. Die Verwendung anderer Akkus oder Ladegeräte kann zu Verletzungen und/oder Brand führen.

Es wird empfohlen, das Zubehör in dem Geschäft zu erwerben, in dem Sie Ihr Elektrowerkzeug gekauft haben. Bitte wählen Sie das richtige Zubehör für Ihre Arbeit. Weitere Informationen zur Verwendung und Hilfe finden Sie im Zubehörpaket.

Akkupack	DE-DC16A2	2.0Ah
	DE-DC16A3	2.5Ah
Ladegerät	DE-CD16A1E	1.5A Einzelladung

Symbole

Lesen Sie die Anleitung	Warnzeichen	Tragen Sie Schutzhandschuhe	Nicht ins Wasser tauchen
Tragen Sie einen Gehörschutz	Tragen Sie eine Schutzbrille	Sperre	Nicht ins Feuer legen
Tragen Sie Schutzmasken	Hohe Drehzahl	Niedrige Drehzahl	Schlagbohren
Holz	Schraubenzieher	Die Akkus enthalten Lithium-Ionen. Aus Umweltschutzgründen sollten die gebrauchten Batterien sortiert und recycelt werden und gehören nicht in den Mülleimer.	
Metall	Loch bohren	<small>Li-Ion</small>	

Anwendung

Dieses Werkzeug wird zum Schlagbohren in Ziegel, Ziegelstrukturen und Mauerwerk eingesetzt. Es dient auch zum Anziehen von Schrauben und zum schlagfreien Bohren in Holz, Metall, Keramik und Kunststoff.

Originalanleitung

Allgemeine Sicherheitshinweise für Elektrowerkzeuge

ACHTUNG Lesen Sie alle Sicherheitshinweise, Anweisungen, Abbildungen und Spezifikationen, die diesem Elektrowerkzeug beiliegen.

Die Nichtbeachtung aller unten aufgeführten Anweisungen kann zu einem Stromschlag, Brand und/oder schweren Verletzungen führen.

Verwahren Sie alle Warnhinweise und Anweisungen für zukünftigen Gebrauch. Der Begriff „Elektrowerkzeug“ in den Warnhinweisen bezieht sich auf Ihr netzbetriebenes (schnurgebundenes) Elektrowerkzeug oder akkubetriebenes (schnurloses) Elektrowerkzeug.

Sicherheit im Arbeitsbereich

- Halten Sie den Arbeitsbereich sauber und gut beleuchtet.** Unaufgeräumte oder dunkle Bereiche laden zu Unfällen ein.
- Betreiben Sie Elektrowerkzeuge nicht in explosionsgefährdeten Bereichen, wie z. B. bei Vorhandensein von brennbaren Flüssigkeiten, Gasen oder Staub.** Elektrowerkzeuge erzeugen Funken, die Staub oder Dämpfe entzünden können.
- Halten Sie Kinder und Zuschauer fern, während Sie ein Elektrowerkzeug bedienen.** Ablenkungen können dazu führen, dass Sie die Kontrolle verlieren.

Elektrische Sicherheit

- Die Stecker von Elektrowerkzeugen müssen zur Steckdose passen. Verändern Sie niemals den Stecker in irgendeiner Weise. Verwenden Sie keine Adapterstecker mit geerdeten Elektrowerkzeugen.** Unveränderte Stecker und passende Steckdosen verringern das Risiko eines Stromschlags.
- Vermeiden Sie Körperkontakt mit geerdeten Oberflächen wie z. B. Rohren, Heizkörpern, Herden und Kühlschränken.** Es besteht ein erhöhtes Risiko eines Stromschlags, wenn Ihr Körper geerdet ist.
- Setzen Sie Elektrowerkzeuge nicht Regen oder Nässe aus.** Wenn Wasser in ein Elektrowerkzeug eindringt, erhöht sich die Gefahr eines Stromschlags.
- Missbrauchen Sie das Kabel nicht. Benutzen Sie das Kabel niemals zum Tragen, Ziehen oder Ausstecken des Elektrowerkzeugs. Halten Sie das Netzkabel von Hitze, Flüssigkeiten, scharfen Kanten und beweglichen Teilen fern.** Beschädigte oder verwickelte Kabel erhöhen das Risiko eines Stromschlags.

- Wenn Sie ein Elektrowerkzeug im Freien betreiben, verwenden Sie ein für den Außenbereich geeignetes Verlängerungskabel.** Die Verwendung eines für den Außenbereich geeigneten Kabels verringert die Gefahr eines Stromschlags.
- Falls der Betrieb eines Elektrowerkzeugs in einer feuchten Umgebung unvermeidlich ist, verwenden Sie eine durch einen Fehlerstromschutzschalter (FI) geschützte Stromversorgung.** Die Verwendung eines FI-Schutzschalters verringert die Gefahr eines Stromschlags.

Persönliche Sicherheit

- Seien Sie wachsam, achten Sie darauf, was Sie tun, und nutzen Sie Ihren gesunden Menschenverstand, wenn Sie ein Elektrowerkzeug bedienen. Verwenden Sie ein Elektrowerkzeug nicht, wenn Sie müde sind oder unter dem Einfluss von Drogen, Alkohol oder Medikamenten stehen.** Ein Moment der Unachtsamkeit bei der Bedienung von Elektrowerkzeugen kann zu schweren Verletzungen führen.
- Verwenden Sie eine persönliche Schutzausrüstung. Tragen Sie immer einen Augenschutz.** Schutzausrüstungen wie Staubmaske, rutschfeste Sicherheitsschuhe, Schutzhelm oder Gehörschutz, die unter geeigneten Bedingungen verwendet werden, verringern die Zahl der Personenschäden.
- Verhindern Sie unbeabsichtigtes Starten. Stellen Sie sicher, dass der Schalter in der Aus-Stellung ist, bevor Sie das Gerät an die Stromquelle und/oder den Akkupack anschließen, es in die Hand nehmen oder tragen.** Das Tragen von Elektrowerkzeugen mit dem Finger auf dem Schalter oder das Einschalten von Elektrowerkzeugen, bei denen der Schalter eingeschaltet ist, lädt zu Unfällen ein.
- Ziehen Sie vor dem Einschalten des Elektrowerkzeugs alle Einstellschlüssel oder Schraubenschlüssel ab.** Ein Schraubenschlüssel oder ein Schlüssel, der an einem rotierenden Teil des Elektrowerkzeugs verbleibt, kann zu Verletzungen führen.
- Greifen Sie nicht zu weit. Halten Sie stets einen sicheren Stand und das Gleichgewicht.** Dies ermöglicht eine bessere Kontrolle des Elektrowerkzeugs in unerwarteten Situationen.

6. **Ziehen Sie sich entsprechend passend an. Tragen Sie keine weite Kleidung und keinen Schmuck. Halten Sie Ihr Haar und Ihre Kleidung von beweglichen Teilen fern.** Lockere Kleidung, Schmuck oder lange Haare können sich in beweglichen Teilen verfangen.
7. **Wenn Vorrichtungen zum Anschluss von Staubabsaugungen und -auffangvorrichtungen vorhanden sind, stellen Sie sicher, dass diese angeschlossen sind und ordnungsgemäß verwendet werden.** Die Verwendung einer Staubabsaugung kann die staubbedingten Gefahren verringern.
8. **Achten Sie darauf, dass die durch häufigen Gebrauch von Werkzeugen gewonnene Routine Sie nicht dazu verleitet, selbstgefällig zu werden und die Grundsätze der Werkzeugsicherheit zu ignorieren.** Eine unvorsichtige Handlung kann im Bruchteil einer Sekunde zu schweren Verletzungen führen.

Verwendung und Pflege von Elektrowerkzeugen

1. **Setzen Sie das Elektrowerkzeug nicht mit Gewalt ein. Verwenden Sie das richtige Elektrowerkzeug für Ihre Anwendung.** Das richtige Elektrowerkzeug erledigt die Arbeit besser und sicherer mit der Drehzahl, für die es ausgelegt ist.
2. **Verwenden Sie das Elektrowerkzeug nicht, wenn der Schalter es nicht ein- und ausschaltet.** Jedes Elektrowerkzeug, das sich nicht mit dem Schalter steuern lässt, ist gefährlich und muss repariert werden.
3. **Trennen Sie den Stecker von der Stromquelle und/oder entfernen Sie den Akkupack, falls abnehmbar, vom Elektrowerkzeug, bevor Sie Einstellungen vornehmen, Zubehörteile wechseln oder Elektrowerkzeuge lagern.** Solche vorbeugenden Sicherheitsmaßnahmen verringern das Risiko eines unbeabsichtigten Starts des Elektrowerkzeugs.
4. **Bewahren Sie ungenutzte Elektrowerkzeuge außerhalb der Reichweite von Kindern auf und erlauben Sie Personen, die mit dem Elektrowerkzeug oder dieser Anleitung nicht vertraut sind, nicht, das Elektrowerkzeug zu bedienen.** Elektrowerkzeuge sind in den Händen ungeschulter Benutzer gefährlich.
5. **Pflegen Sie Elektrowerkzeuge und Zubehör. Prüfen Sie, ob bewegliche Teile falsch ausgerichtet sind oder**

- klemmen, ob Teile gebrochen sind und ob andere Bedingungen vorliegen, die den Betrieb des Elektrowerkzeugs beeinträchtigen können. Lassen Sie das Elektrowerkzeug bei Beschädigung vor der Verwendung reparieren.** Viele Unfälle werden durch schlecht gewartete Elektrowerkzeuge verursacht.
6. **Halten Sie Schneidwerkzeuge scharf und sauber.** Ordnungsgemäß gewartete Schneidwerkzeuge mit scharfen Schneidkanten verklemmen sich seltener und sind leichter zu kontrollieren.
7. **Verwenden Sie das Elektrowerkzeug, das Zubehör, die Bits usw. gemäß dieser Anleitung und unter Berücksichtigung der Arbeitsbedingungen und der auszuführenden Arbeiten.** Die Verwendung des Elektrowerkzeugs für andere als die vorgesehenen Arbeiten kann zu gefährlichen Situationen führen.
8. **Halten Sie Griffe und Griffflächen trocken, sauber und frei von Öl und Fett.** Rutschige Griffe und Griffflächen ermöglichen keine sichere Handhabung und Kontrolle des Geräts in unerwarteten Situationen.

Verwendung und Pflege von Akkuwerkzeugen

1. **Laden Sie nur mit dem vom Hersteller empfohlenen Ladegerät auf.** Ein für einen bestimmten Akkutyp geeignetes Ladegerät kann bei Verwendung mit einem anderen Akkutyp eine Brandgefahr darstellen.
2. **Verwenden Sie Elektrowerkzeuge nur mit den speziell dafür vorgesehenen Akkus.** Die Verwendung anderer Akkus kann Verletzungs- und Brandgefahr mit sich bringen.
3. **Halten Sie den Akku bei Nichtgebrauch von anderen Metallgegenständen wie Büroklammern, Münzen, Schlüsseln, Nägeln, Schrauben oder anderen kleinen Metallgegenständen fern, die eine Verbindung zwischen den Polklemmen herstellen können.** Das Kurzschließen der Akkupolklemmen kann zu Verbrennungen oder einem Brand führen.
4. **Bei unsachgemäßem Gebrauch kann Flüssigkeit aus der Batterie austreten; bitte vermeiden Sie den Kontakt damit. Bei unbeabsichtigtem Kontakt sollte die betroffene Stelle mit Wasser gespült werden. Bei Kontakt der Flüssigkeit mit den Augen muss zusätzlich ein Arzt aufgesucht werden.** Die aus dem Akku austretende Flüssigkeit kann Reizungen oder Verbrennungen verursachen.

5. **Verwenden Sie keine beschädigten oder modifizierten Akkus oder Werkzeuge.** Beschädigte oder modifizierte Akkus können ein unvorhersehbares Verhalten zeigen, das zu Brand, Explosion oder Verletzungen führen kann.
6. **Setzen Sie einen Akku oder ein Werkzeug keinem Feuer oder überhöhten Temperaturen aus.** Ein Kontakt mit Feuer oder bei Temperaturen über 130 °C kann eine Explosion verursachen.
7. **Befolgen Sie alle Ladeanweisungen und laden Sie den Akku oder das Werkzeug niemals bei Temperaturen außerhalb des in den Anweisungen angegebenen Bereichs.** Unsachgemäßes Laden oder Laden bei Temperaturen außerhalb des angegebenen Bereichs kann den Akku beschädigen und die Brandgefahr erhöhen.

Wartung

1. **Lassen Sie Ihr Elektrowerkzeug von einem qualifizierten Servicetechniker warten, der nur identische Ersatzteile verwendet.** Dadurch wird sichergestellt, dass die Sicherheit des Elektrowerkzeugs erhalten bleibt.
2. **Warten Sie niemals beschädigte Akkupacks.** Die Wartung von Akkupacks sollte nur vom Hersteller oder von autorisierten Servicestellen durchgeführt werden.

Zusätzliche Sicherheitshinweise für Bohrer

Sicherheitsanweisungen für sämtliche

1. **Tragen Sie einen Gehörschutz.** Lärmbelastung kann zu Gehörschäden führen.
2. **Sichern Sie das Werkzeug vor dem Gebrauch ordnungsgemäß.** Dieses Werkzeug erzeugt ein hohes Ausgangsdrehmoment. Wird es während des Betriebs nicht ordnungsgemäß gesichert, kann es zu einem Kontrollverlust kommen, der zu Verletzungen führen kann.
3. **Halten Sie das Elektrowerkzeug immer an den isolierten Griffflächen fest, wenn Sie eine Arbeit ausführen, bei dem das Schneidezubehör verborgene Leitungen berühren kann.** Schneidezubehör, das mit einer „spannungsführenden“ Leitung in Berührung kommt, kann freiliegende Metallteile des Elektrowerkzeugs „unter Spannung bringen“ und dem Bediener einen Stromschlag versetzen.

Sicherheitsanweisungen für den Einsatz von Langbohrern

1. **Betreiben Sie den Bohrer niemals mit einer höheren Drehzahl als der maximal zulässigen Drehzahl des Werkzeugs.** Bei höheren Drehzahlen kann sich die Spitze verbiegen, wenn sie sich frei drehen kann, ohne das Werkstück zu berühren, was zu Verletzungen führen kann.
2. **Starten Sie das Bohren immer mit niedriger Drehzahl und wenn die Bohrerspitze in Kontakt mit dem Werkstück ist.** Bei höheren Drehzahlen kann sich die Spitze verbiegen, wenn sie sich frei drehen kann, ohne das Werkstück zu berühren, was zu Verletzungen führen kann.
3. **Wenden Sie den Druck nur in direkter Linie zum Bohrer an und üben Sie keinen übermäßigen Druck aus.** Bohrerspitzen können sich verbiegen, was zu Brüchen oder zum Verlust der Kontrolle und damit zu Verletzungen führen kann.

CE Noise/vibration information

Noise emission values determined according to EN 62841-2-1.

Typically, the A-weighted noise level of the power tool is: Sound pressure level 83 dB(A); sound power level 94 dB(A). Uncertainty K = 5 dB.

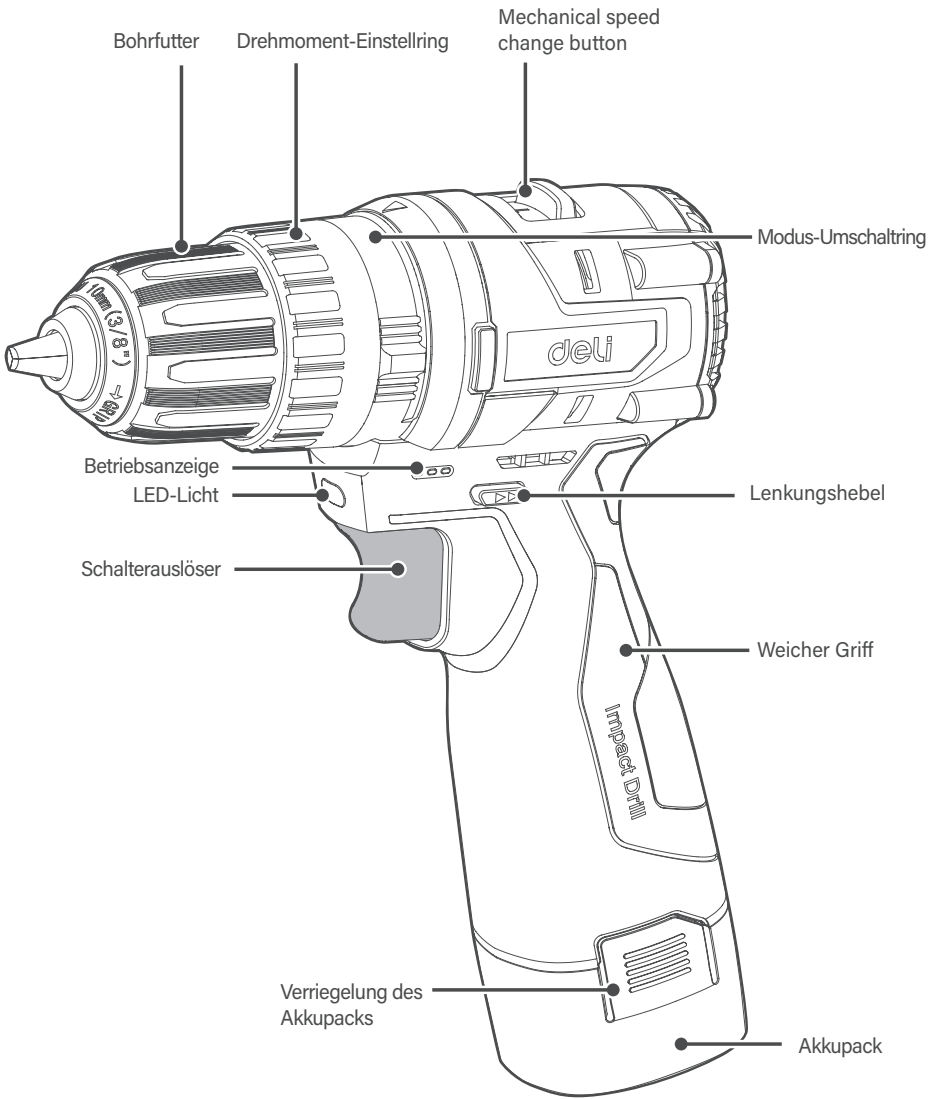
Wear hearing protection!

Vibration total values ah (triax vector sum) and uncertainty K determined according to EN 62841-2-1: Drilling in metal: ah = 4.5 m/s², K = 1.5 m/s²

The vibration level and noise emission value given in these instructions have been measured in accordance with a standardised measuring procedure and may be used to compare power tools. They may also be used for a preliminary estimation of vibration and noise emissions. The stated vibration level and noise emission value represent the main applications of the power tool. However, if the power tool is used for other applications, with different application tools or is poorly maintained, the vibration level and noise emission value may differ. This may significantly increase the vibration and noise emissions over the total working period.

To estimate vibration and noise emissions accurately, the times when the tool is switched off or when it is running but not actually being used should also be taken into account.

This may significantly reduce vibration and noise emissions over the total working period. Implement additional safety measures to protect the operator from the effects of vibration, such as servicing the power tool and application tools, keeping their hands warm, and organising workflows correctly.



Bedienungsanleitung

Hinweis: Lesen Sie die Bedienungsanleitung vor dem Betrieb durch.

1 Einlegen/Entfernen des Akkupacks

Stellen Sie beim Einsetzen oder Entfernen des Akkus sicher, dass das Gerät ausgeschaltet ist; Zum Entfernen des Akkus drücken Sie den Knopf über dem Akku, während Sie ihn aus dem Gerät ziehen; Richten Sie beim Einsetzen des Akkupacks die Rille des Akkupacks an der Nut des Gerätegehäuses aus und schieben Sie den Akku dann ein. Schieben Sie ihn vollständig ein, bis der Akku fest sitzt und einrastet. Wird er nicht richtig eingesetzt, kann sich der Akku aus dem Gerät lösen und Verletzungen verursachen.

2 Bohrer entfernen/einsetzen



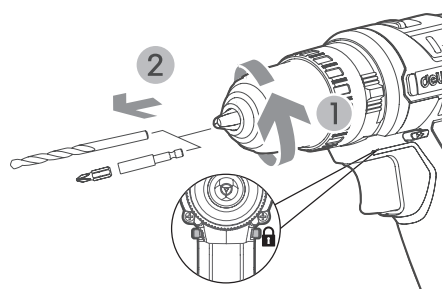
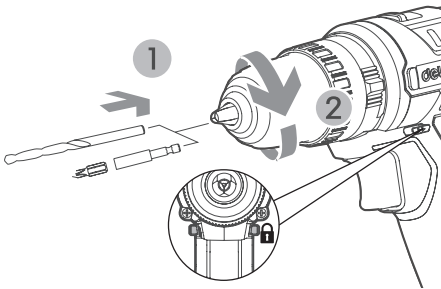
Achtung! Schalten Sie vor dem Zubehörwechsel unbedingt den Netzschalter aus und nehmen Sie den Akku heraus; setzen Sie den Bohrer möglichst in den tiefsten Teil des Bohrfutters ein und vergewissern Sie sich, dass der Bohrer festgeklemmt ist; stellen Sie vor der Inbetriebnahme des Werkzeugs sicher, dass das Bohrfutter keine Sicherheitsrisiken aufweist, da eine Beschädigung oder Lockerung des Bohrfutters Verletzungen verursachen kann.



Bitte tragen Sie beim Einstecken des Steckers Schutzhandschuhe



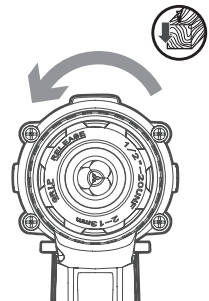
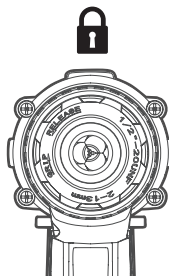
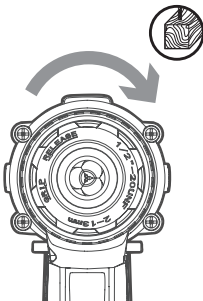
Bitte tragen Sie beim Herausziehen des Steckers Schutzhandschuhe



3 Vorwärts- und Rückwärtsschaltung

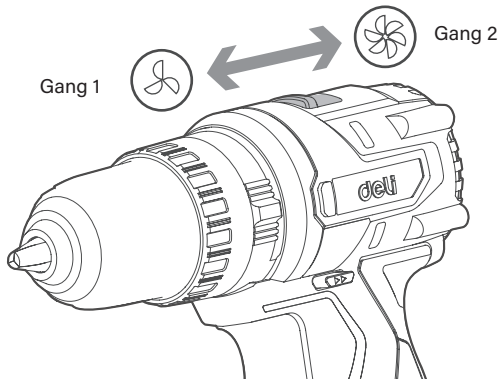


Achtung! 1. Bitte überprüfen Sie die Drehrichtung des Werkzeugs vor dem Einsatz; 2. Der Lenkhebel kann nur benutzt werden, wenn sich das Werkzeug vollständig zum Stillstand gekommen ist. Die Änderung der Drehrichtung während des Betriebs des Werkzeugs kann zu einer Beschädigung des Lenkhebels führen. 3. Bei Nichtgebrauch des Werkzeugs muss der Lenkhebel immer in die Neutralstellung gebracht werden. In der neutralen Stellung des Lenkhebels kann der Schalter nicht betätigt werden.

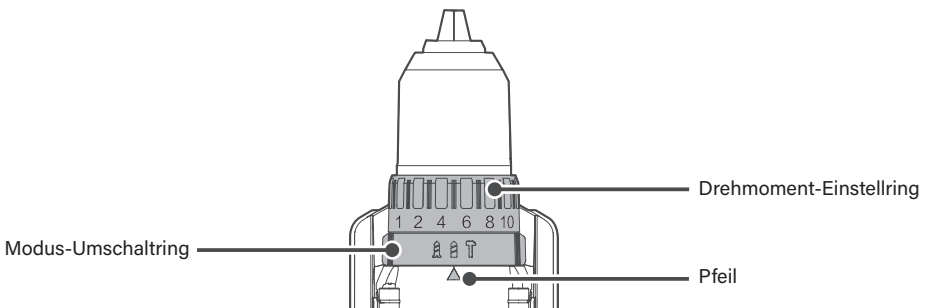


4 Drehzahlverstellung

Achten Sie darauf, dass der mechanische Drehzahlumschaltknopf vollständig in die richtige Position gebracht wird. Das Bohrgerät kann beschädigt werden, wenn es eingeschaltet wird, während sich der mechanische Drehzahlumschaltknopf zwischen den Gangstufen "1," und "2," befindet.



5 Einstellung des Drehmoments



6 Anziehen der Schraube

Achtung: Stellen Sie den Einstellring auf den für den Betrieb geeigneten Drehmomentwert ein.
Achtung: Achten Sie darauf, dass der Schraubendrehereinsatz gerade in den Schraubenkopf eingeführt wird, da sonst die Schraube und/oder der Schraubendrehereinsatz beschädigt werden können.
Drehen Sie zunächst den Schaltring für den Betriebsmodus so, dass der Pfeil auf dem Gerätegehäuse in Richtung zeigt. Setzen Sie den Schraubendrehereinsatz mit der Spitze in den Schraubenkopf ein und üben Sie dabei etwas Druck auf das Werkzeug aus.

7 Bohren eines Lochs

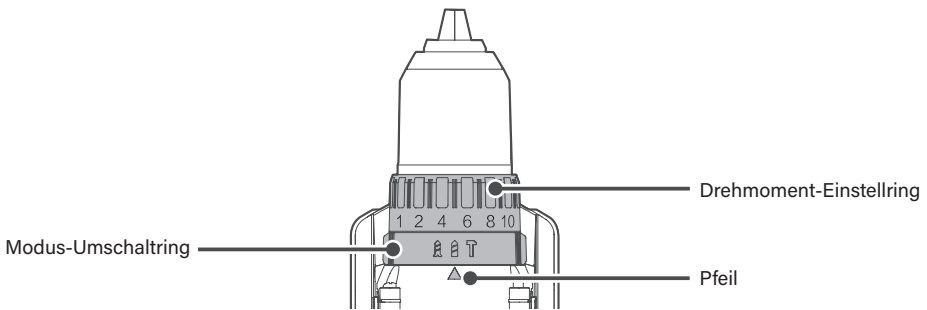
Drehen Sie zunächst den Einstellring so, dass der Pfeil in Richtung  zeigt. Führen Sie dann den Bohrvorgang durch.

Bohren von Löchern in Holz:

Die besten Ergebnisse beim Bohren von Löchern in Holz lassen sich mit einem Bohrer mit Führungsschraube für Holz erzielen. Diese Leitspindel erleichtert den Bohrvorgang.


Bohren von Löchern in Metall:

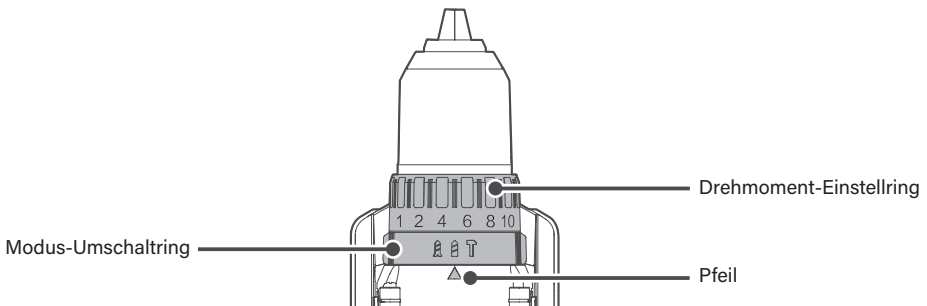
Um ein Abrutschen des Bohrers zu verhindern, können Sie beim Bohren von Löchern mit einem spitzen Körner und einem Hammer eine Markierung an der Stelle auf der Metallplatte machen, an der die Bohrung erfolgen soll. Führen Sie die Spitze des Bohrers in die Delle ein und beginnen Sie zu bohren. Bitte verwenden Sie beim Bohren von Löchern in Metall ein Schneidöl. Beim Bohren von Löchern in Eisen- und Kupfermaterial sollte trocken gebohrt werden.



8 Schlagbohrbetrieb

Drehen Sie zunächst den Schaltring für den Betriebsmodus so, dass der Pfeil auf dem Gerätegehäuse in

Richtung  zeigt. Der Einstellring kann bei diesem Vorgang auf eine beliebige Drehmomentstufe eingestellt werden. Richten Sie den Bohrer auf die zu bohrende Stelle aus und betätigen Sie dann den Schalterauslöser. Üben Sie keine übermäßige Kraft auf das Werkzeug aus. Sanfter Druck hat den besten Effekt. Achten Sie auf eine korrekte Positionierung des Werkzeugs, um eine Abweichung von der Bohrposition zu vermeiden.



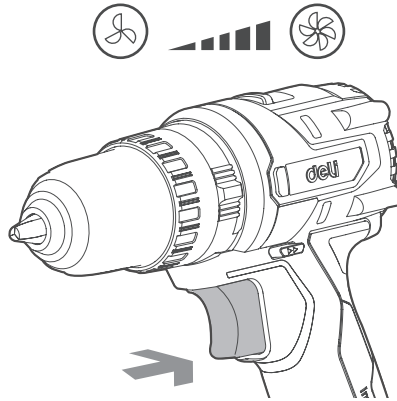
7 Ein/Aus



Achtung! Verwenden Sie den Start/Stop-Schalter nicht, um über einen längeren Zeitraum mit niedriger Drehzahl zu arbeiten, da sonst das Geräteinnere überhitzen kann, was zu Werkzeugschäden führen kann.



Tragen Sie einen Gehörschutz



7 LED-Anzeige



Achtung! Bitte stellen Sie sicher, dass die LED-Anzeige durch Drücken des Schalters eingeschaltet wird, wenn sich der Lenkhebel in der äußersten linken oder rechten Position befindet.

Dieses Gerät ist mit einem Werkzeug-/Akkuschutzsystem ausgestattet. Dieses System kann die Motorstromversorgung automatisch unterbrechen, um die Lebensdauer des Werkzeugs und des Akkus zu verlängern. Tritt während des Betriebs eine der folgenden Situationen auf, schaltet sich das Gerät automatisch ab. In einigen Fällen leuchtet die Kontrollleuchte auf.

- **Überlastungsschutz:** Wird das Werkzeug bzw. der Akku mit ungewöhnlich hoher Stromstärke betrieben, schaltet sich das Gerät automatisch ab. Schalten Sie in diesem Fall das Gerät aus und beenden Sie den Vorgang, der die Überlastung des Geräts verursacht hat. Schalten Sie dann das Gerät wieder ein.
- **Überhitzungsschutz:** Das Gerät schaltet sich automatisch ab, wenn das Gerät/der Akku überhitzt. In diesem Fall warten Sie bitte, bis das Gerät abgekühlt ist, bevor Sie es wieder einschalten.
- **Entladeschutz:** Das Gerät schaltet sich automatisch ab, wenn die verbleibende Akkuleistung nachlässt. Wenn das Gerät auch bei eingeschaltetem Schalter nicht funktioniert, nehmen Sie bitte den Akku aus dem Gerät und laden Sie ihn auf.
- **Schutz bei anderen Ursachen:** Das Schutzsystem dient auch für andere Situationen, in denen das Gerät beschädigt werden könnte, und stoppt den Betrieb automatisch. Wenn das Gerät vorübergehend oder mittendrin aufhört zu arbeiten, führen Sie bitte alle nachstehenden Schritte durch, um die Störungsursache zu beseitigen.


1. Schalten Sie das Gerät aus und starten Sie es erneut.
2. Laden Sie den Akku auf oder ersetzen Sie ihn durch einen neuen, wiederaufladbaren Akku.
3. Warten Sie, bis das Gerät und der Akku abgekühlt sind.

Fehlerbehebung

1. Warum lässt sich das Werkzeug nicht starten, wenn der Schalter betätigt wird?

Es gibt einen Steuerhebel am oberen Teil des Schalters, und wenn dieser Hebel in der mittleren Position steht, wird der Start/Stopp-Schalter gesperrt. Bewegen Sie den Hebel in die gewünschte Position, drücken Sie dann den Knopf, und das Gerät startet die Drehung.

2. Warum bricht die Handbohrmaschine den Betrieb ab, bevor die Schrauben angezogen sind?

Verstellen Sie in diesem Fall den Drehmomenteinstellung zwischen dem Gehäuse und dem Bohrfutter. Position 1 entspricht dem minimalen Drehmoment, während Position 20 für das maximale Drehmoment steht. Die Position  ist für das Bohren von Löchern vorgesehen. Dieses Problem kann durch Einstellen des Drehmoment-Einstellrings auf eine höhere Stufe behoben werden.

3. Warum variiert die Betriebszeit desselben Akkupacks?

Wie oben bereits erwähnt, verkürzt sich die Betriebszeit eines Akkus, wenn er längere Zeit nicht benutzt wird. Diese Situation wird sich nach mehreren Aufladungen und Benutzungen verbessern. Außerdem wird die Akkuleistung bei anspruchsvollen Arbeiten, wie z. B. dem Eindrehen einer großen Schraube in Hartholz, schnell verbraucht. Laden Sie den Akku nicht in Umgebungen unter 0°C oder über 40°C auf, da dies ebenfalls seine Leistung beeinträchtigen kann.

Wartung



Achtung! Ziehen Sie vor dem Durchführen von Austausch- oder Wartungsarbeiten am Gerät unbedingt den Stecker heraus.

Nehmen Sie vor dem Durchführen von Austausch- oder Wartungsarbeiten an dem Gerät immer zuerst den Akku heraus.

Das Elektrowerkzeug muss nicht zusätzlich geschmiert oder gewartet werden. Reinigen Sie Ihr Elektrowerkzeug nicht mit Wasser oder chemischen Reinigungsmitteln, es genügt, das Gerät mit einem trockenen Tuch abzuwischen. Die Werkzeuge sollten in einer trockenen Umgebung aufbewahrt werden und die Belüftungsöffnungen des Motors sollten sauber gehalten werden. Verwenden Sie das Gerät möglichst nicht in einer staubigen Umgebung.

Schutz der Umwelt



Entsorgung von Altgeräten

Im Sinne des Umweltschutzes müssen beschädigte Geräte, Zubehörteile und Verpackungsmaterialien für ein einfaches Recycling sorgfältig sortiert werden. Zur Erleichterung der Sortierung und des Recyclings sind alle Kunststoffteile mit den Materialangaben gekennzeichnet.

Produktgarantiekarte

Produktgarantiekarte:

Wir bedanken uns, dass Sie sich für unsere Produkte entschieden haben. Im Interesse ihrer Zufriedenheit können sich die Käufer im Falle von Qualitätsproblemen mit der Rechnung und der Garantiekarte an den lokalen Vertriebshändler oder an die angegebene Reparaturstelle wenden.

Garantie Hinweis:

1. Wenn von _____ (Jahr/Monat/Tag) bis _____ (Jahr/Monat/Tag), das Produkt bei bestimmungsgemäßem Gebrauch ausfällt, bietet unser Unternehmen eine kostenlose Garantie, Ersatzteilversorgung und andere Dienstleistungen je nach Problemfall.
2. Diese Garantiekarte und der Kaufbeleg dienen als Nachweise für den von unserem Unternehmen angebotenen Kundendienst. Die Karte darf nur nach Ausfüllen des folgenden Formulars und Anbringen des offiziellen Händlerstempels ausgefüllt werden.
3. Bei folgenden Fällen gilt der kostenlose Garantieservice nicht, und es werden Wartungsgebühren fällig:
 - (1) Überschreitung des Verfallsdatums.
 - (2) Fehler oder Schäden, die durch Nichtbeachtung der Anweisungen im Produkthandbuch, unsachgemäße Wartung oder Lagerung verursacht wurden.
 - (3) Fehler oder Schäden, die durch das Zerlegen, Reparieren oder Modifizieren des Produkts ohne Genehmigung von unserem Unternehmen verursacht wurden.
 - (4) Geräteausfall oder Schäden, die durch höhere Gewalt verursacht wurden.
 - (5) Für verbrauchbares Zubehör.

Diese Karte wird zusammen mit dem Produkt ausgegeben. Eine Karte pro Gerät. Bewahren Sie diese Karte sorgfältig auf, um den Anspruch auf den kostenlosen Garantieservice des Unternehmens zu gewährleisten; bei Verlust wird sie nicht ersetzt.

Kaufdatum: _____ (Jahr/Monat/Tag)

Produktzertifikat

Prüfer:

01

Herstellungsdatum:

NINGBO DELI TOOLS CO., LTD.

N° 128 Chezhan West Road, Huangtan Town,
Ninghai County, Ningbo, Zhejiang, Chine
delitoolsglobal@nbdeli.com

www.delitoolsglobal.com

+86 574 87562689

HERGESTELLT IN CHINA

Reserviert für späteren Gebrauch

Version: 1.0

Datum: Juni. , 2022



Spécifications

Modèle		DE-CZ16-1D2	DE-CZ16-2D2
Tension nominale		16V \equiv	
Couple maximum		45N.m	55N.m
Vitesse à vide		0-450/0-1800/min	
Fréquence d'impact		0-7650/0-30600bpm	
Capacité maximale du mandrin		10mm	
Capacité maximale de perçage	Bois	25mm	
	Acier	10mm	
Poids de la machine		0.75kg	0.76kg

⚠ Avertissement ! Utilisez uniquement les batteries et chargeurs spécifiés. L'utilisation d'un autre type de batterie ou de chargeur présente un risque d'incendie et/ou de blessures.

Il est recommandé de sélectionner les accessoires dans le magasin où vous avez acheté l'outil électrique. Veuillez sélectionner les accessoires adaptés à votre travail. Veuillez vous référer à l'emballage des accessoires pour en savoir plus sur l'utilisation.

Batterie	DE-DC16A2	2.0Ah
	DE-DC16A3	2.5Ah
Chargeur	DE-CD16A1E	Chargeur simple 1.5A

Symboles

Lire les instructions	Symboles d'avertissement	Veuillez porter des gants de protection	Ne mettez pas l'outil dans l'eau
Veuillez porter des cache-oreilles protecteurs	Veuillez porter des lunettes de protection	Verrouillage	Ne mettez pas l'outil dans des flammes
Veuillez porter un masque	Vitesse rapide	Vitesse lente	Perçage à percussion
Bois	Trou à percer	Les batteries contiennent du lithium-ion. Pour protéger l'environnement, les batteries mises au rebut doivent être triées et recyclées, et ne doivent pas être jetées à la poubelle.	
Métal	Tournevis		

Application

Cet outil est utilisé pour le perçage à percussion dans les briques, les structures en briques et la maçonnerie. Il sert aussi à visser des vis ainsi qu'à percer sans percussion dans le bois, le métal, le plastique et la céramique.

Instructions originales

Avertissements généraux concernant les outils électriques

AVERTISSEMENT Lire l'ensemble des avertissements, instructions, illustrations et spécifications fourni avec cet outil électrique. Le fait de ne pas suivre toutes les instructions figurant dans la liste ci-dessous peut entraîner un risque de choc électrique, d'incendie et/ou de blessures graves.

Conservez tous les avertissements et instructions à titre d'information.

Le terme « outil électrique » dans les avertissements fait référence à votre outil électrique (avec fil) fonctionnant sur secteur ou à votre outil électrique (sans fil) fonctionnant sur batterie.

Sécurité du lieu de travail

- Maintenez le lieu de travail propre et bien éclairé.** Les emplacements encombrés ou sombres favorisent les accidents.
- N'utilisez pas d'outils électriques dans un environnement explosif, par exemple en présence de liquides, de gaz ou de poussières inflammables.** Les outils électriques dégagent des étincelles qui peuvent enflammer les vapeurs.
- Éloignez les enfants et les personnes alentour lorsque vous utilisez un outil électrique.** Toutes distractions peuvent vous faire perdre le contrôle.

Sécurité électrique

- Les prises de l'outil électrique doivent correspondre à la prise murale. N'altérez jamais la prise de quelque manière que ce soit. N'utilisez pas de prises d'adaptateur avec des appareils mis à la terre.** Les prises non altérées et les prises murales correspondantes réduiront les risques de chocs électriques.
- Évitez que le corps puissent toucher les surfaces mises à la terre, telles que tuyaux, radiateurs, cuisinières et réfrigérateurs.** Le risque d'électrocution est plus important si votre corps est mis à la terre.
- N'exposez pas les outils électriques à la pluie ni à l'humidité.** La pénétration d'eau dans un outil électrique augmente les risques d'électrocution.
- N'abusez pas de l'utilisation du fil. N'utilisez jamais le fil pour transporter, tirer ou débrancher l'outil électrique. Conservez le fil à l'écart de la chaleur, de l'huile, des bords coupants ou pièces mobiles.** Un fil endommagé ou emmêlé augmente les risques d'électrocution.

- Pour utiliser un outil électrique en extérieur, utilisez une rallonge adaptée à l'usage à l'extérieur.** L'utilisation d'un fil adapté à l'usage extérieur réduit les risques d'électrocution.
- Si l'utilisation d'un outil électrique dans un endroit humide est inévitable, utilisez une alimentation protégée par un disjoncteur.** L'utilisation d'un disjoncteur permet de réduire les risques d'électrocution.

Sécurité personnelle

- Restez attentif, surveillez votre travail et faites preuve de bon sens lorsque vous utilisez un outil électrique. N'utilisez pas un outil électrique si vous êtes fatigué ou sous l'influence de drogues, d'alcool ou de médicaments.** Un moment d'inattention lors de l'utilisation d'outils électriques peut entraîner des blessures graves.
- Portez un équipement de protection individuelle. Portez toujours une protection auditive (oreillettes).** Des équipements de protection tels qu'un masque anti-poussière, des chaussures de sécurité antidérapantes, un casque ou des protections auditives, utilisés dans de bonnes conditions, permettront de réduire les risques de blessures.
- Prévenez les démarrages non intentionnels. Assurez-vous que l'interrupteur est éteint (off) avant de brancher l'appareil à la prise d'alimentation et / ou à la batterie, ou de saisir ou de transporter l'outil.** Le fait de transporter des outils électriques en ayant le doigt sur l'interrupteur ou de lancer des outils électriques lorsque l'interrupteur est allumé, peut être source d'accidents.
- Retirez toute clé de réglage ou autre clé avant de mettre l'outil électrique en marche.** Une clé laissée sur une pièce rotative de l'outil électrique peut entraîner des blessures.
- Ne vous penchez pas excessivement. Conservez à tout moment un bon appui et bon équilibre.** Vous pouvez ainsi mieux contrôler l'outil électrique en cas de situations imprévues.
- Habilitez-vous judicieusement. Ne portez pas de vêtements amples ni de bijoux. Tenez les cheveux et les vêtements à l'écart des pièces en mouvement.** Les vêtements amples, les bijoux ou les cheveux longs peuvent se coincer dans les pièces en mouvement.
- Sides appareils permettent de se raccorder à des équipements de collecte et d'extraction de la poussière ; assurez-vous qu'ils soient raccordés et correctement utilisés.** L'utilisation d'un système de collecte de la poussière peut réduire les risques liés à la poussière.

8. **Même si vous avez pris l'habitude d'utiliser des outils, vous ne devez pas être moins vigilant et ignorer les principes de sécurité des outils.** Un geste imprudent peut provoquer une blessure grave en une fraction de seconde.

Utilisation et entretien de l'outil électrique

1. **Ne forcez pas sur l'outil électrique. Utilisez l'outil électrique convenant à l'usage.** Le bon outil électrique fonctionnera mieux et plus sûrement s'il est utilisé à la vitesse pour laquelle il a été conçu.
2. **N'utilisez pas l'outil électrique si l'interrupteur ne l'allume ou ne l'éteint pas.** Tout outil électrique ne pouvant être contrôlé avec l'interrupteur est un outil dangereux, et doit être réparé.
3. **Débranchez la prise et/ou retirez le compartiment à piles, s'il est détachable, de l'outil électrique avant tout réglage, changement d'accessoires ou avant de ranger des outils électriques.** Ce type de mesures de protection permet de réduire les risques d'allumage accidentel de l'outil électrique.
4. **Rangez les outils électriques au repos hors de portée des enfants, et ne laissez personne ne connaissant pas l'outil électrique ou ces instructions utiliser l'outil électrique.** Les outils électriques sont dangereux entre les mains de personnes qui n'y sont pas formées.
5. **Entretenez les et accessoires des outils électriques. Vérifiez l'alignement ou l'adhésion des pièces en mouvement, toute casse de pièces et toute autre condition susceptible d'affecter le bon fonctionnement de l'outil électrique. S'il est endommagé, faites réparer l'outil électrique avant de l'utiliser.** De nombreux accidents sont causés par des outils électriques mal entretenus.
6. **Faites en sorte que les outils de coupe restent affûtés et propres.** Des outils de coupe bien entretenus aux bords affûtés adhèrent moins et sont plus faciles à contrôler.
7. **Utilisez l'outil électrique, les accessoires, embouts et forets, conformément à ces instructions, en tenant compte des conditions de travail et du travail à entreprendre.** L'utilisation de l'outil électrique dans un but différent de celui prévu peut entraîner des situations dangereuses.
8. **Faites en sorte que les surfaces de préhension et poignées restent sèches, propres et exemptes d'huile et de graisse.** Les poignées et les surfaces de préhension glissantes ne permettent pas de manipuler et de contrôler l'outil en toute sécurité dans des situations inattendues.

Utilisation et entretien de l'outil fonctionnant sur batterie

1. **Rechargez uniquement avec le chargeur spécifié par le fabricant.** Un chargeur qui est adapté pour un type de batterie risque de provoquer un début d'incendie s'il est utilisé avec un autre type de batterie.
2. **Utilisez uniquement les outils électriques spécifiquement recommandés pour la batterie.** L'utilisation d'un autre type de batterie présente un risque d'incendie ou de blessures.
3. **Lorsque que la batterie n'est pas utilisée, rangez-la à l'écart d'autres objets métalliques, tels des trombones, des pièces de monnaie, de clés, des clous, des vis ou d'autres petits objets métalliques qui peuvent établir une connexion entre les bornes.** Il y a un risque d'incendie ou de brûlures si les bornes de la batterie sont court-circuitées.
4. **En cas de mauvaise manipulation, du liquide peut s'échapper de la batterie ; évitez tout contact. En cas de contact accidentel, rincez abondamment à l'eau.** Si le liquide entre en contact avec les yeux, consultez un médecin. Le liquide de la batterie est dangereux et provoque des irritations ou des brûlures.
5. **N'utilisez pas une batterie ou un outil s'ils ont été endommagés ou modifiés.** Une batterie endommagée ou modifiée peut avoir un fonctionnement imprévu avec un risque d'incendie, d'explosion ou de blessure.
6. **N'exposez pas la batterie ou l'outil à des températures excessives ou à des flammes.** L'exposition aux flammes ou à des températures supérieures à 130 °C présente un risque d'explosion.
7. **Suivez toutes les consignes pour la recharge et ne rechargez pas la batterie ou l'outil à des températures en dehors de la plage spécifiée dans les consignes.** Une mauvaise recharge ou une charge à des températures en dehors de la plage spécifiée peut endommager la batterie et augmenter le risque d'incendie.

Révision

1. **Faites réviser votre outil électrique par un technicien qualifié utilisant seulement des pièces de rechange identiques.** Cela permettra de préserver la sécurité de l'outil électrique.
2. **Une batterie endommagée ne doit jamais être réparée.** L'entretien de la batterie doit être confié au fabricant ou aux réparateurs agréés.

Consignes de sécurité supplémentaires pour la perceuse

Consignes de sécurité pour l'ensemble des opérations

1. Portez une protection auditive.

L'exposition aux bruits peut entraîner une perte d'audition.

2. Préparez correctement l'outil avant l'utilisation.

Cet outil génère un couple de sortie élevé et, sans préparation adéquate de l'outil pendant son fonctionnement, une perte de contrôle peut survenir et entraîner des blessures.

- #### 3. Tenez l'outil électrique par les surfaces de préhension isolées lorsque vous effectuez un travail au cours duquel l'outil l'accessoire de coupe peut entrer en contact avec un câblage dissimulé.
- Le contact de l'accessoire de coupe avec un fil sous tension peut électrifier les parties métalliques exposées de l'outil électrique et l'opérateur risque de s'électrocuter.

Consignes de sécurité pour l'utilisation de forets longs

- #### 1. Ne jamais faire fonctionner à une vitesse supérieure à la vitesse nominale maximale du foret.
- À des vitesses plus élevées, le foret risque de se déformer s'il tourne librement sans toucher la pièce, entraînant alors des blessures.

- #### 2. Commencez toujours à percer à basse vitesse avec le bout du foret en contact avec la pièce.
- À des vitesses plus élevées, le foret risque de se déformer s'il tourne librement sans toucher la pièce, entraînant alors des blessures.

- #### 2. Appuyez uniquement en vous alignant sur le foret et n'exercez pas de pression excessive.
- Les forets peuvent se déformer et provoquer une rupture ou une perte de contrôle, entraînant alors des blessures.

CE Informations sur le bruit/les vibrations

Valeurs d'émission sonore déterminées selon

EN 62841-2-1.

Typiquement, le niveau de bruit pondéré A de l'outil électrique est : niveau de pression acoustique 83 dB(A) ; niveau de puissance acoustique 94 dB(A).

Incertitude K = 5 dB.

Portez des protections auditives !

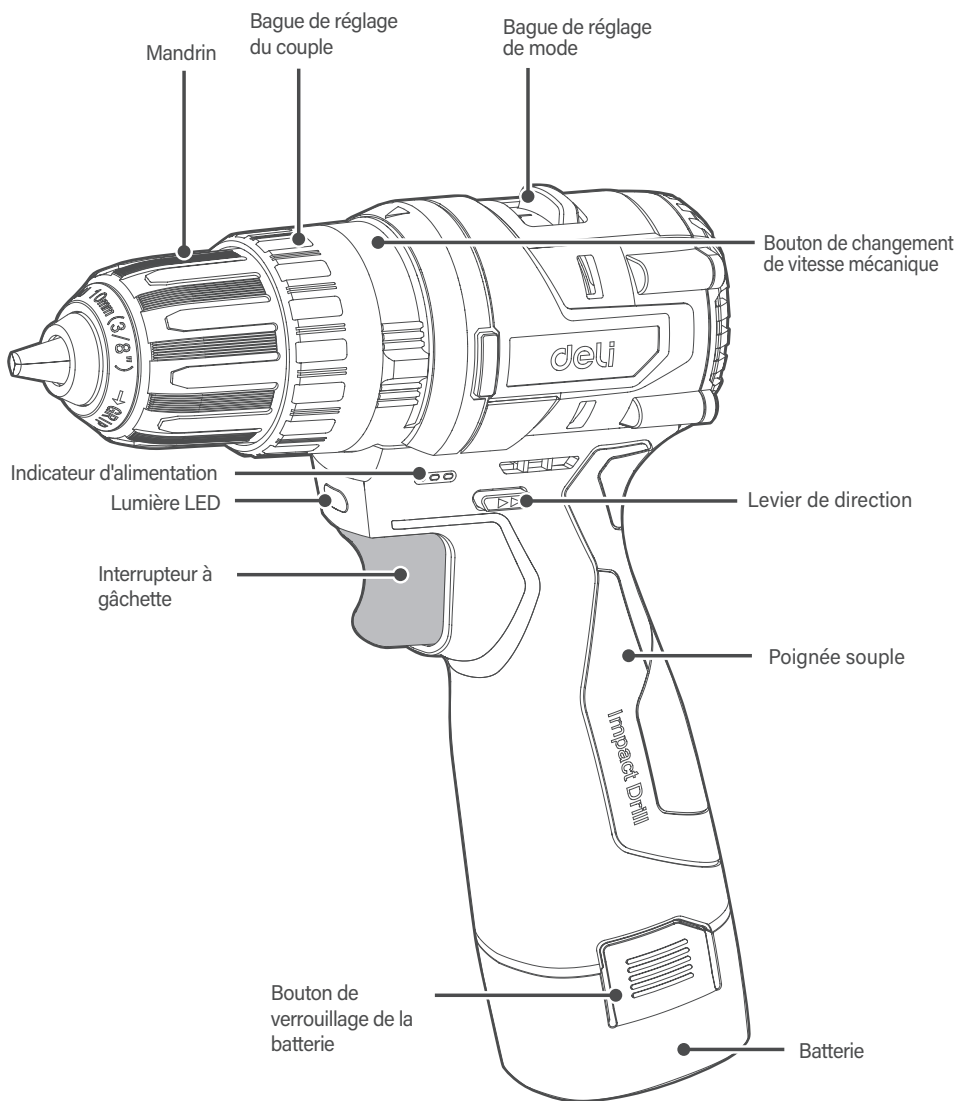
Valeurs totales de vibration ah (somme vectorielle triaxiale) et incertitude K déterminées selon la norme EN 62841-2-1 :

Perçage dans le métal : ah = 4,5 m/s², K = 1,5 m/s²
Le niveau de vibrations et la valeur d'émissions de bruit donnés dans ces instructions ont été mesurés selon une procédure de mesure standard et peuvent être utilisés pour comparer des outils

électriques. Ils peuvent également être utilisés dans le cadre d'une évaluation préliminaire des vibrations et des émissions de bruit.

La valeur d'émissions de bruit et le niveau de vibrations indiqués correspondent aux principales applications de l'outil électrique. Cependant, si l'outil électrique est utilisé pour d'autres applications, avec des outils d'application différents, ou que son entretien s'avère insuffisant, la valeur d'émissions de bruit et le niveau de vibrations peuvent différer. Cela peut considérablement augmenter les émissions de bruit et les vibrations sur toute la période de travail. Pour estimer avec précision les émissions de bruit et les vibrations, les moments où l'outil est arrêté ou fonctionne, mais pas réellement utilisé, doivent également être pris en compte.

Cela peut considérablement réduire les émissions de bruit et les vibrations sur toute la période de travail. Mettez en œuvre des mesures de sécurité supplémentaires pour protéger l'opérateur des effets des vibrations, telles que l'entretien de l'outil électrique et des outils d'application, maintenir au chaud les mains et l'organisation correcte des périodes de travail.



Consignes de fonctionnement

Remarque : Lisez le mode d'emploi avant d'utiliser.

1 Installer ou retirer la batterie

Lorsque vous installez ou retirez la batterie, veuillez vous assurer que la machine n'est pas sous tension ; Pour retirer la batterie, appuyez sur le bouton au-dessus de la batterie tout en retirant de l'outil ; Lorsque vous installez la batterie, alignez la tige sur la batterie avec la rainure sur le boîtier de la machine, puis faites-la glisser en place. Insérez-la complètement en place jusqu'à ce que la batterie se verrouille et s'enclenche. Si elle n'est pas installée correctement, la batterie peut se détacher de l'outil et provoquer des blessures corporelles.

2 Retirer ou insérer la mèche

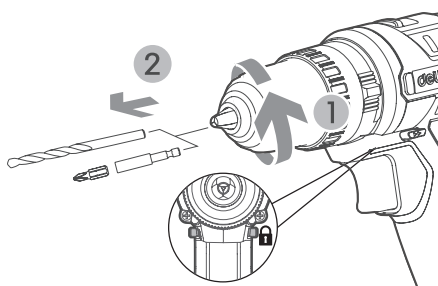
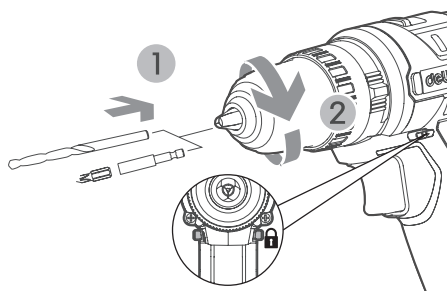
⚠ Avertissement ! Avant de changer d'accessoires, assurez-vous d'éteindre l'interrupteur d'alimentation et de retirer la batterie ; essayez de placer la mèche au fond du mandrin et assurez-vous que la mèche est vissée ; avant de démarrer l'outil, assurez-vous que le mandrin ne présente aucun risque de sécurité, car un mandrin endommagé ou desserré peut causer des blessures.



Portez des gants de protection lorsque vous insérez la mèche

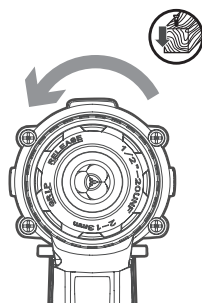
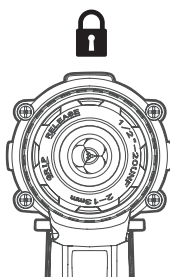
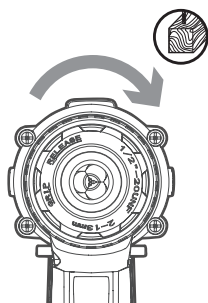


Portez des gants de protection lorsque vous retirez la mèche



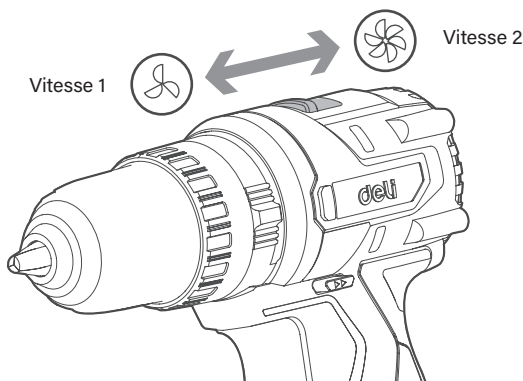
3 Réglage de rotation horaire et antihoraire

⚠ Avertissement ! 1. Vérifiez toujours le sens de rotation de l'outil avant de l'utiliser ; 2 Le levier de direction ne peut être utilisé que lorsque l'outil a complètement cessé de tourner. Le levier de direction peut être endommagé si le sens de rotation est modifié pendant le fonctionnement de l'outil ; 3. Lorsque l'outil n'est pas utilisé, réglez toujours le levier de direction sur la position neutre. Lorsque le levier de direction est en position neutre, l'interrupteur ne peut pas être actionné.



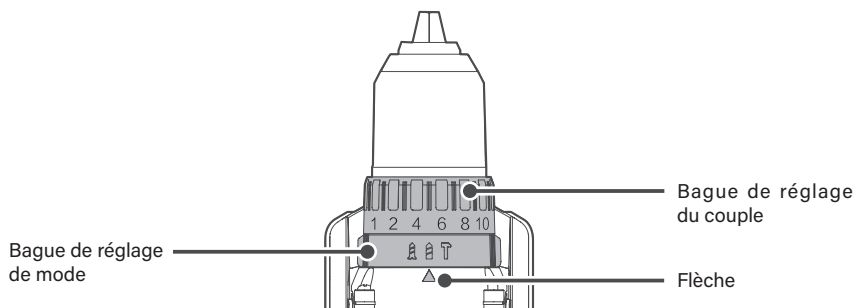
4 Changement de vitesse

Assurez-vous de régler correctement le bouton de changement de vitesse mécanique sur la bonne position. La perceuse électrique peut être endommagée si elle est démarrée lorsque le bouton de changement de vitesse mécanique se trouve entre les vitesses « 1 » et « 2 ».



5 Réglage du couple


Le couple de serrage peut être réglé sur 20 niveaux en tournant la bague de réglage. Alignez la graduation avec la flèche sur le boîtier de l'outil. Le couple de serrage est minimal lorsqu'il est réglé à 1, et le couple de serrage est maximal lorsqu'il est réglé à 20.




6 Réglage du couple

Attention : Réglez la bague de réglage au niveau de couple approprié pour le travail à effectuer.

Attention : Veillez à insérer l'embout de tournevis correctement dans la tête de vis, sinon cela pourrait endommager la vis et/ou l'embout de tournevis.

Tout d'abord, tournez la bague de réglage de mode de fonction de sorte que la flèche sur le boîtier de la machine pointe vers . Placez la pointe de l'embout de tournevis dans la tête de vis et appliquez une pression sur l'outil.

7 Percer un trou

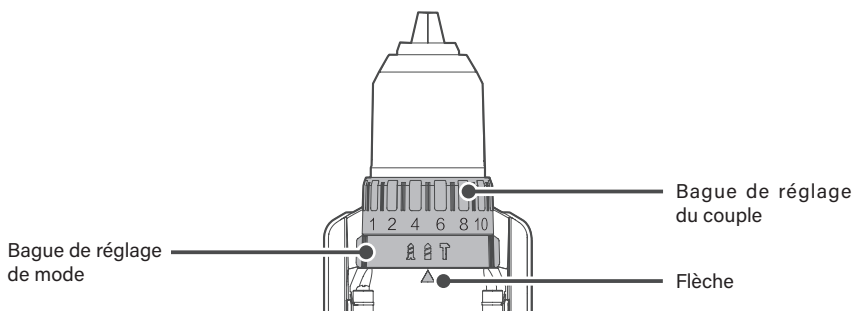
Tout d'abord, tournez la bague de réglage de sorte que la flèche pointe vers  Commencez à percer.

Percer des trous dans le bois :


La mèche avec une vis sans fin utilisée pour le bois peut obtenir de meilleurs résultats pour percer des trous dans le bois. Cette vis sans fin facilite l'opération de perçage.

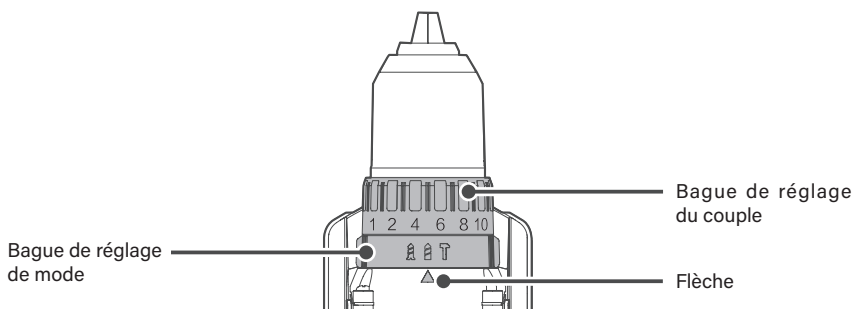
Percer des trous dans le métal :

Lorsque vous commencez à percer des trous, afin d'éviter que le foret ne glisse, un poinçon pointu et un marteau peuvent être utilisés pour faire une marque sur la plaque métallique où vous souhaitez percer. Insérez la pointe de la mèche dans la marque et commencez à percer. Utilisez de l'huile de coupe lorsque vous percez des trous dans le métal. Le perçage à sec doit être effectué pour des trous dans du fer et du cuivre.



8 Utiliser la perceuse à percussion

Tout d'abord, tournez la bague de réglage de mode de fonction de sorte que la flèche sur le boîtier de la machine pointe vers . La bague de réglage peut être alignée sur n'importe quel niveau de couple pour cette opération. Alignez la mèche avec la position à percer, puis appuyez sur la gâchette. N'utilisez pas l'outil en appliquant une force excessive. Une légère pression permet d'obtenir le meilleur résultat. Maintenez l'outil dans la bonne position pour éviter toute déviation de l'outil par rapport à la position du trou.



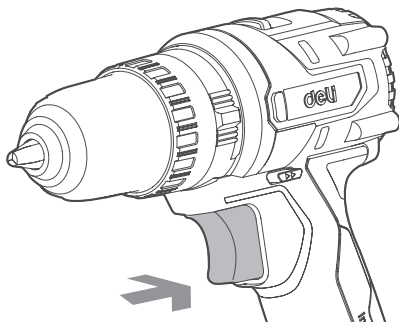
9 Mise en marche/arrêt



Avertissement ! N'utilisez pas l'interrupteur marche/arrêt pour fonctionner à basse vitesse pendant une longue période, sinon l'intérieur de la machine pourrait surchauffer et l'outil risque d'être endommagé.



Veuillez porter des cache-oreilles protecteurs



10 Indicateur à LED



Avertissement ! Veuillez vous assurer que le voyant LED s'allume en appuyant sur l'interrupteur lorsque le levier de direction est positionné à gauche ou à droite.

Cette machine est équipée d'un circuit de protection d'outil et de batterie. Ce système peut couper automatiquement l'alimentation du moteur pour prolonger la durée de vie de l'outil et de la batterie. Si l'outil ou la batterie est dans les conditions suivantes pendant le fonctionnement, l'outil s'arrêtera automatiquement de fonctionner. Le voyant lumineux s'allumera dans certains cas.

- Protection contre les surcharges : L'outil cessera automatiquement de fonctionner lorsque l'outil/la batterie est utilisé d'une manière qui provoque un courant anormalement élevé. Dans ce cas, arrêtez l'outil et cessez le travail qui a provoqué la surcharge de l'outil. Remettez ensuite l'outil sous tension pour redémarrer.
- Protection contre les surchauffes : L'outil cessera automatiquement de fonctionner lorsque l'outil/la batterie est en surchauffe. Dans ce cas, veuillez attendre que l'outil refroidisse avant de le redémarrer.
- Protection contre les décharges excessives : cet outil s'arrête automatiquement lorsque la puissance restante de la batterie diminue. Si ce produit ne fonctionne pas lorsque l'interrupteur est activé, retirez la batterie de l'outil et rechargez-la.
- Autres protections : Le système de protection est également adapté à d'autres situations qui peuvent endommager l'outil, empêchant ainsi automatiquement l'outil de fonctionner. Lorsque l'outil cesse temporairement ou à mi-chemin de fonctionner, suivez toutes les étapes suivantes pour résoudre l'anomalie.


1. Arrêtez l'outil et redémarrez-le.
2. Chargez la batterie ou remplacez-la par une batterie rechargeable.
3. Veuillez attendre que l'outil et la batterie refroidissent.

Dépannage

1. Pourquoi la machine ne fonctionne-t-elle pas lorsque la gâchette est enfoncée ?

Il y a un levier de direction sur la partie supérieure de l'interrupteur, et la machine verrouille l'interrupteur marche/arrêt lorsque ce levier est en position médiane. Déplacez le levier à la position où il doit être tourné, puis appuyez sur le bouton et la machine démarrera.

2. Pourquoi la perceuse portable s'arrête-t-elle de fonctionner avant que les vis ne soient serrées ?

Réglez la bague de réglage du couple entre le boîtier et le mandrin. La position 1 correspond au couple minimal, tandis que la position 20 correspond au couple maximal. La position  est conçue pour percer des trous. Ce problème peut être résolu après avoir réglé la bague de réglage du couple sur une vitesse supérieure.

3. Pourquoi l'autonomie d'une même batterie varie-t-elle ?

Si une batterie reste inutilisée trop longtemps, son autonomie sera réduite. Cette situation s'améliorera après plusieurs charges et utilisations. La batterie sera également rapidement déchargée lors de travaux intensifs, comme par exemple, pour enfoncer de grandes vis dans du bois dur. Ne rechargez pas la batterie dans un environnement dont la température est inférieure à 0°C ou supérieure à 40°C, car cela affectera ses performances.

Entretien



Avertissement ! Avant d'effectuer toute opération de remplacement ou d'entretien sur l'outil, assurez-vous d'abord de débrancher la fiche.

Avant d'effectuer toute opération de remplacement ou d'entretien sur l'outil, assurez-vous d'abord de retirer la batterie.

Votre outil électrique ne nécessite aucune lubrification ou maintenance supplémentaire. Ne nettoyez pas votre outil électrique avec de l'eau ou des produits de nettoyage chimiques, essayez-le simplement avec un chiffon sec. L'outil doit être stocké dans un environnement sec et les événements du moteur doivent rester propres. Essayez de ne pas l'utiliser dans un environnement poussiéreux.

Protection de l'environnement



Élimination des déchets

Pour contribuer à la protection de l'environnement, les outils et les accessoires endommagés ainsi que les matériaux d'emballage doivent être triés avec soin pour faciliter leur recyclage. Afin de faciliter le tri et le recyclage, toutes les pièces en plastique sont marquées.

Carte de garantie du produit

Chers utilisateurs:

Merci d'avoir acheté nos produits. Afin de garantir leur achat, les utilisateurs de nos produits peuvent contacter un distributeur local ou des centres de réparation spécifiés, munis de la facture et de la carte de garantie en cas de défaillance du produit due à de problèmes de qualité.

Notice de garantie:

1. Valide du _____ (jour, mois, année) au _____ (jour, mois, année) Si la panne survient dans le cadre d'une utilisation normale, notre société fournira une garantie gratuite, un remplacement de pièces et d'autres services en fonction de la panne.
2. Cette carte de garantie et la facture d'achat servent de bon de réparation pour le service après-vente fourni par notre société aux clients. La carte ne doit être renseignée qu'en remplissant le formulaire suivant et en apposant le sceau officiel du distributeur.
3. Dans l'un des cas suivants, le service de garantie gratuit sera annulé et des frais d'intervention seront demandés:
 - (1) Dépassement de la date d'expiration.
 - (2) Défaillance ou dommage causé par le non-respect des exigences du manuel du produit, un entretien ou un stockage inapproprié.
 - (3) Défaillance ou dommage causé par le démontage, la réparation ou la modification du produit sans l'autorisation de notre société.
 - (4) Panne de la machine ou dommage causé par un cas de force majeure.
 - (5) Accessoires consommables.

Cette carte est livrée avec le produit. Une carte pour une machine, pour vous assurer que vous pouvez profiter pleinement du droit au service de garantie gratuit fourni par l'entreprise. Veuillez conserver cette carte correctement. En cas de perte, elle ne sera pas remplacée.

Date d'achat : _____ (jour, mois, année)

Certificat de produit

Inspecteur:

01

Date de fabrication:

NINGBO DELI TOOLS CO., LTD.

N° 128 Chezhan West Road, Huangtan Town,

Ninghai County, Ningbo, Zhejiang, Chine

delitoolsglobal@nbdeli.com

www.delitoolsglobal.com

+86 574 87562689

FABRIQUÉ EN CHINE

Réservé pour une utilisation future

Version: 1.0

Date : Juin, 2022



Especificaciones

Modelo	DE-CZ16-1D2	DE-CZ16-2D2
Tensión nominal	16V $\overline{\text{---}}$	
Máximo par de torsión	45N.m	55N.m
Velocidad sin carga	0-450/0-1800/min	
Frecuencia de impacto	0-7650/0-30600bpm	
Máxima capacidad del portabrocas	10mm	
Máxima capacidad del taladrado	Madera	25mm
	Acero	10mm
Peso de la máquina	0.75kg	0.76kg

⚠ ¡Advertencia! Utilice únicamente las baterías y cargadores indicados. El uso de otros tipos de baterías o cargadores puede provocar lesiones personales y/o incendio.

Se recomienda seleccionar los accesorios de la tienda en la que se compró la herramienta eléctrica. Seleccione los accesorios correctos para su trabajo. Consulte el paquete de accesorios para obtener más uso y ayuda.

Batería	DE-DC16A2	2.0Ah
	DE-DC16A3	2.5Ah
Cargador	DE-CD16A1E	Cargador individual de 1.5A

Símbolos

 Lea las instrucciones	 Símbolos de advertencia	 Lleve guantes protectores	 No la ponga en agua
 Lleve orejeras protectoras	 Lleve gafas protectoras	 Bloqueo	 No la ponga en fuego
 Lleve máscaras protectoras	 Alta velocidad	 Velocidad nominal	 Taladrado con percusión
 Madera	 Orificio de taladro	 Las baterías contienen iones de litio. Para proteger el medio ambiente, las baterías desechadas deben ser clasificadas y recicladas, y no deben ser desechadas a la basura.	
 Metal	 Destornillador	 Li-Ion	

Aplicación:

Esta herramienta se utiliza para taladrar con percusión en ladrillos, estructuras de ladrillos y mampostería. También es adecuada para apretar tornillos y taladrar sin percusión en madera, metal, cerámica y plástico.

Instrucciones originales

ADVERTENCIAS GENERALES DE SEGURIDAD PARA HERRAMIENTAS ELÉCTRICAS

ADVERTENCIA Lea con atención todas las advertencias de seguridad, instrucciones, ilustraciones y especificaciones proporcionadas con esta herramienta eléctrica. No seguir las instrucciones indicadas a continuación puede tener como resultado una descarga eléctrica, un incendio y/o lesiones graves. **Guarde todas las advertencias e instrucciones para referencia futura.**

El uso del término «herramienta eléctrica» en las advertencias de seguridad se refiere a herramientas eléctricas conectadas a la red (con cable) o a batería (sin cable).

Seguridad del área de trabajo

1. **Mantenga el área de trabajo limpia y bien iluminada.** Las áreas abarrotadas y oscuras propician accidentes.
2. **No utilice la herramienta eléctrica en un entorno con peligro de explosión, en el que se encuentren combustibles líquidos, gases o material en polvo.** Las herramientas eléctricas generan chispas que pueden encender el polvo y los vapores inflamables.
3. **Mantenga a los niños y transeúntes alejado del área cuando utilice la herramienta eléctrica.** Las distracciones pueden hacerle perder el control de la máquina.

Seguridad eléctrica

1. **El enchufe de la herramienta eléctrica debe ser compatible con la toma de corriente. No modifique nunca la clavija de enchufe de ninguna forma. No utilice ningún enchufe adaptador con herramientas eléctricas conectadas a masa (conectadas a tierra).** Los enchufes no modificados y que se adaptan a las tomas de corriente reducirán el riesgo de descarga eléctrica.
2. **Evite el contacto del cuerpo con superficies conectadas a masa o tierra, por ejemplo, tuberías, radiadores, estufas y refrigeradores.** Si su cuerpo está puesto a masa o tierra existe un mayor riesgo de que se produzca una descarga eléctrica.
3. **No exponga la herramienta eléctrica a condiciones húmedas o a lluvia.** El riesgo de recibir descargas eléctricas aumenta si penetra agua en la herramienta eléctrica.
4. **No haga mal uso del cable. Nunca use el cable para transportar, tirar o desenchufar la herramienta eléctrica. Mantenga el cable alejado del calor, de**

aceite y de piezas móviles o con bordes afilados. Los cables dañados o enredados pueden aumentar el riesgo de descarga eléctrica.

5. **Cuando utilice la herramienta eléctrica en el exterior, use un cable alargador adecuado para uso en exterior.** El uso de un cable adecuado para uso en exterior reduce el riesgo de descarga eléctrica.
6. **Si no es posible evitar usar una herramienta eléctrica en condiciones húmedas, utilice una fuente de alimentación protegida por un interruptor diferencial (ID).** El uso de un ID reduce el riesgo de descarga eléctrica.

Seguridad personal

1. **Al utilizar una herramienta eléctrica, esté atento, concéntrese en lo que hace y use el sentido común. No utilice la herramienta eléctrica si está cansado o bajo los efectos del alcohol, las drogas o los medicamentos.** Un momento de distracción mientras se utiliza la herramienta eléctrica puede tener como resultado lesiones personales graves.
2. **Use el equipo de protección individual. Lleve siempre protección ocular.** El uso de un equipo de protección adecuado como una mascarilla antipolvo, zapatos de seguridad con suela antideslizante, casco o protectores auditivos para las condiciones que lo requieran reducirá las lesiones personales.
3. **Evite un arranque involuntario. Asegurarse de que el interruptor está en posición de apagado antes de conectar la herramienta a la toma de corriente y/o al insertar el paquete de batería, al recogerla, y al transportarla.** Transportar la herramienta eléctrica con el dedo apoyado sobre el interruptor o enchufar la herramienta eléctrica con el interruptor en la posición de encendido puede propiciar accidentes.
4. **Retire cualquier llave de ajuste o herramienta antes de encender la herramienta eléctrica.** Una herramienta o llave colocada en una pieza giratoria de la herramienta eléctrica puede provocar lesiones personales.
5. **No se estire demasiado. Apoye bien los pies y mantenga el equilibrio en todo momento.** Esto mejorará el control de la herramienta eléctrica en situaciones imprevistas.
6. **Lleve la ropa adecuada. No lleve ropa holgada ni joyas. Mantenga el pelo y la ropa alejada de las piezas móviles.** La ropa holgada, las joyas, o el pelo largo pueden engancharse en las partes en movimiento.

7. **Si los dispositivos están provistos de conexión para aspiración de polvo y dispositivos de recolección, asegúrese de que están conectadas y se utilizan correctamente.** El uso de un colector de polvo puede reducir los peligros relacionados con el polvo.
8. **No deje que la familiaridad obtenida por el uso frecuente de la herramienta se vuelva algo habitual o haga que ignore los principios de seguridad de la herramienta.** Una acción descuidada puede provocar lesiones graves en una fracción de segundos.
7. **Utilice la herramienta eléctrica, los accesorios y las brocas de herramienta, etc. de acuerdo con estas instrucciones, teniendo en cuenta las condiciones de trabajo y el trabajo que se vaya a realizar.** La utilización de la herramienta eléctrica para trabajos para los que no ha sido concebida puede dar lugar a situaciones de peligro.
8. **Mantenga las asas y las superficies de agarre secas, limpias y libres de aceite y grasa.** Las asas y superficies de agarre resbaladizas impiden manejar y controlar la herramienta eléctrica con seguridad en situaciones imprevistas.

Uso y cuidado de la herramienta eléctrica

1. **No fuerce la herramienta eléctrica. Utilice la herramienta eléctrica prevista para el trabajo a realizar.** El trabajo se hace mejor y más seguro usando la herramienta eléctrica correcta con la velocidad para la que ha sido diseñada.
2. **No utilice la herramienta eléctrica si el interruptor no puede encenderla o apagarla.** Una herramienta que no pueda controlarse con el interruptor es peligrosa y debe repararse.
3. **Desconecte el enchufe de la toma de corriente y/o retire el paquete de baterías, si es desmontable, de la herramienta eléctrica antes de realizar cualquier ajuste, cambiar los accesorios o almacenar la herramienta.** Tales medidas preventivas de seguridad reducen el riesgo de arrancar la herramienta eléctrica accidentalmente.
4. **Almacene las herramientas que no utiliza fuera del alcance de los niños y no permita que las personas no familiarizadas con la herramienta eléctrica o estas instrucciones utilicen la herramienta eléctrica.** Las herramientas son peligrosas en manos de personas inexpertas.
5. **Mantenga la herramienta eléctrica y los accesorios. Compruebe si las partes móviles están alineadas o fijas, si no hay piezas rotas o cualquier otro problema que pueda afectar el rendimiento de la herramienta eléctrica. Si hay daños, repare la herramienta eléctrica antes de utilizarla.** Se ocasionan muchos accidentes por el mal mantenimiento de las herramientas eléctricas.
6. **Mantenga las herramientas de corte afiladas y limpias.** Las herramientas de corte con mantenimiento adecuado y con los bordes de corte afilados son menos propensas a trabarse y son más fáciles de controlar.

Uso y cuidado de la herramienta a batería

1. **Cargue solamente con el cargador especificado por el fabricante.** Un cargador adecuado para un tipo de batería puede crear un riesgo de incendio al utilizarlo con otras baterías.
2. **Utilice la herramientas eléctricas solamente con las baterías específicamente diseñadas para ellas.** El uso de cualquier otra batería puede crear un riesgo de incendio o lesión.
3. **Cuando la batería no esté en uso, manténgala alejada de los objetos metálico, como clips de papel, monedas, llaves, clavos, tornillos u otros objetos metálicos pequeños que puedan realizar una conexión de un terminal a otro.** El cortocircuito en los terminales de la batería puede provocar quemaduras o incendios.
4. **En condiciones abusivas, el líquido puede ser expulsado de la batería.** Evite su contacto. En caso de contacto accidental, enjuague con agua. Si el líquido entra en contacto los ojos, solicite ayuda médica. El líquido expulsado de la batería puede causar irritaciones y quemaduras.
5. **No utilice baterías o herramientas que están dañadas o modificadas.** Las baterías dañadas o modificadas pueden tener un comportamiento imprevisible y provocar incendios, explosiones o riesgo de lesiones.
6. **No exponga la batería o la herramienta al fuego o temperatura excesiva.** La exposición al fuego o temperatura superior a 130 °C puede causar una explosión.
7. **Siga todas las instrucciones de carga y no cargue la batería o la herramienta fuera del intervalo de temperatura especificado en las instrucciones.** Una carga incorrecta o fuera del intervalo de temperatura especificado puede dañar la batería o aumentar el riesgo de incendio.

Mantenimiento

- 1. El mantenimiento debe ser realizado por el personal de reparación cualificado utilizando solo repuestos idénticos.** Esto garantizará que se mantenga la seguridad de la herramienta eléctrica.
- 2. Nunca realice trabajos de mantenimiento de baterías dañadas.** Cualquier mantenimiento de las baterías debe ser realizado por el fabricante o centros de servicio autorizados.

Instrucciones de seguridad adicionales para el taladro

Instrucciones de seguridad para todas las operaciones

- 1. Use protección auditiva.** La exposición al ruido puede causar pérdida de audición.
- 2. Agarre bien la herramienta antes de utilizarla.** Esta herramienta produce un alto par de salida y, sin agarrar adecuadamente la herramienta durante el funcionamiento, se puede perder el control y provocar lesiones personales.
- 3. Sujete la herramienta eléctrica por las superficies de agarre con aislamiento cuando realice una operación en la que el accesorio de corte pueda entrar en contacto con cableado oculto.** El contacto de los accesorios de corte con un cable «activo» puede poner las partes metálicas de la herramienta eléctrica «bajo tensión» y provocar una descarga eléctrica al operador.

Instrucciones de seguridad para el uso de brocas largas

- 1. No opere nunca a una velocidad más alta de la velocidad máxima de la broca.** A velocidades más altas, es probable que la broca se doble si se deja girar libremente sin entrar en contacto con la pieza de trabajo, provocando lesiones personales.
- 2. Comience siempre a perforar a baja velocidad y con la punta de la broca en contacto con la pieza de trabajo.** A velocidades más altas, es probable que la broca se doble si se deja girar libremente sin entrar en contacto con la pieza de trabajo, provocando lesiones personales.
- 2. Ejercer presión solo en línea directa con la broca, sin ejercer una presión excesiva.** Las brocas pueden doblarse y provocar una rotura o la pérdida de control, lo que podría causar lesiones personales.

CE Información sobre ruido y vibración

Valores de emisión de ruido determinados según la norma EN 62841-2-1.

Por lo general, el nivel de ruido ponderado A de la herramienta eléctrica es: Nivel de presión acústica: 83 dB(A). Nivel de potencia acústica: 94 dB(A). Incertidumbre: $K = 5$ dB.
¡Use protección auditiva!

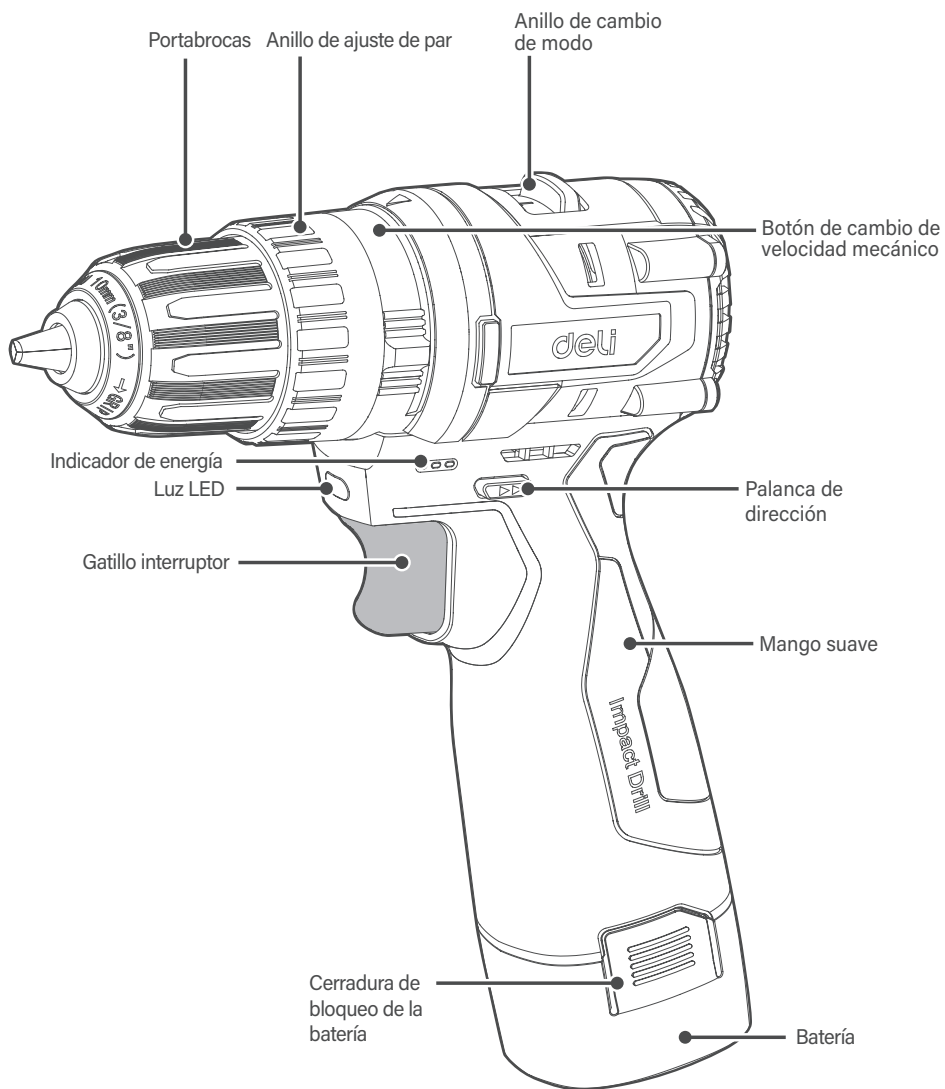
Valores totales de vibración ah (suma de vectores triaxiales) determinados según la norma EN 62841-2-1:

Perforación: $ah = 4.5$ m/s², $K = 1.5$ m/s² El nivel de vibración y el nivel de emisión de ruido indicados en estas instrucciones han sido medidos de acuerdo con un procedimiento de medición normalizado y se pueden utilizar para comparar herramientas eléctricas. También se pueden utilizar para una estimación preliminar de las emisiones de vibración y ruido.

El nivel de vibración y de emisión de ruido indicados representan las aplicaciones principales de la herramienta eléctrica. Sin embargo, si la herramienta eléctrica se usa para otras aplicaciones, con diferentes herramientas de aplicación o se ha efectuado un mantenimiento insuficiente de la herramienta, el nivel de vibración y ruido pueden diferir. Esto puede aumentar notablemente las emisiones de vibración y de ruido durante el tiempo total de trabajo.

Para una estimación exacta de las emisiones de vibración y ruido, deberían tenerse en cuenta también los momentos en los que la herramienta está apagada o bien, está en funcionamiento, pero sin ser utilizada realmente.

Esto puede reducir notablemente las emisiones de vibración y ruido durante el tiempo total de trabajo. Implemente medidas de seguridad adicionales para proteger al operario de los efectos de las vibraciones, como el mantenimiento de la herramienta eléctrica y las herramientas de aplicación, mantener sus manos calientes y organizar los flujos de trabajo correctamente.



Instrucciones de funcionamiento

Nota: Lea el manual de instrucciones antes del uso.

1 Insertar/retirar la batería

Cuando instale o retire la batería, asegúrese de que la máquina está apagada.

Cuando retire la batería, pulse el botón sobre la batería mientras la extrae de la herramienta.

Cuando instale la batería, alinee la lengüeta de la batería con el surco de la carcasa de la máquina y luego insértela. Insértela completamente en su lugar hasta que la batería esté bloqueada y haga clic. Si no se instala correctamente, la batería puede desprenderse de la herramienta y provocar lesiones personales.

2 Retirar/insertar la broca



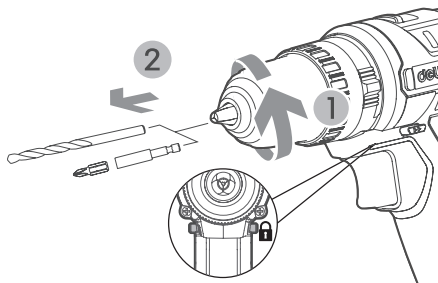
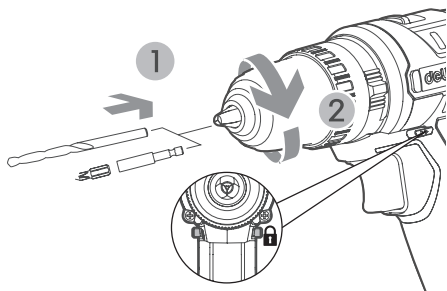
¡Advertencia! Antes de reemplazar cualquier accesorio, asegúrese de apagar el interruptor de encendido y de retirar la batería. Intente colocar la broca en la parte más profunda del portabrocas y asegúrese de que la broca quede fija. Antes de arrancar la herramienta, asegúrese de que no haya peligros de seguridad para el portabrocas, ya que el daño o la soltura del portabrocas pueden provocar lesiones personales.



Lleve guantes protectores cuando inserte el pasador.



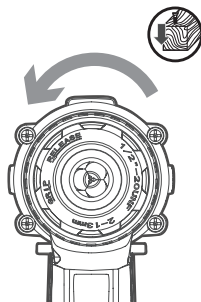
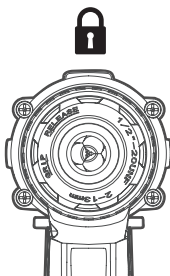
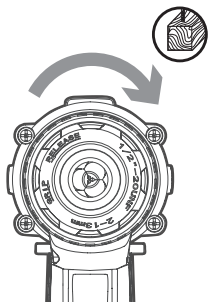
Lleve guantes protectores cuando retire el pasador.



3 Interruptor de avance y retroceso

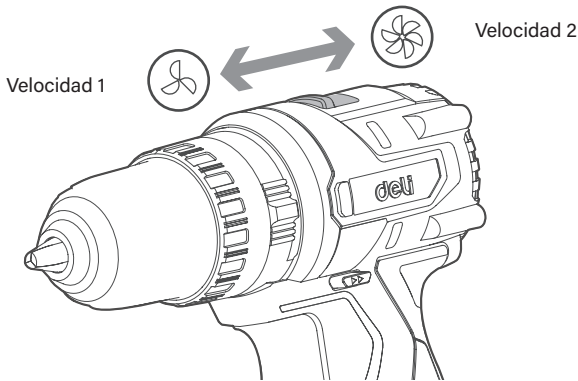


¡Advertencia! 1. Compruebe la dirección de rotación de la herramienta antes de utilizarla; 2. La palanca de dirección solo se puede utilizar cuando la máquina deje totalmente de girar. La palanca de dirección puede dañarse si la dirección de rotación se ha cambiado durante el funcionamiento de la herramienta; 3. Cuando no se utilice la herramienta, ponga siempre la palanca de dirección en la posición neutra. Cuando la palanca de dirección está en la posición neutra, el interruptor no se puede pulsar.



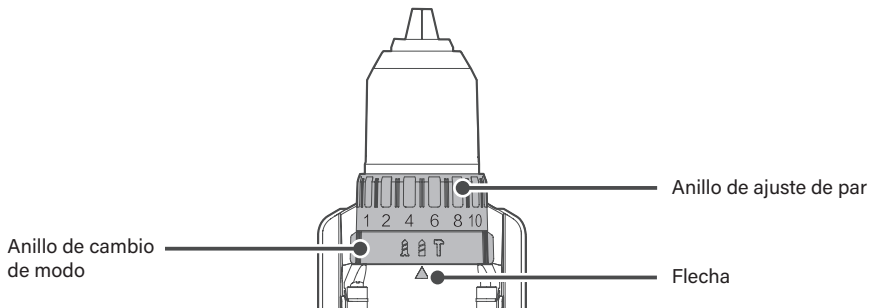
4 Cambio de velocidad

Asegúrese de ajustar el botón de cambio de velocidad mecánico en la posición correcta. El taladro eléctrico puede dañarse si se enciende cuando el botón de cambio de velocidad mecánico están en el medio entre la velocidad «1» y «2».



5 Ajuste de par de apriete


El par de apriete puede ajustarse en 20 niveles girando el anillo de ajuste. Alinee la escala con la flecha en el cuerpo de la herramienta. El par de apriete es mínimo cuando se ajusta al 1 y máximo cuando se ajusta al 20.




6 Apretar los tornillos

Precaución: Ajuste el anillo de ajuste al nivel de par adecuado para la operación.

Precaución: Asegúrese de insertar la punta de atornillar hasta el extremo superior del tornillo, de lo contrario, el tornillo y/o la punta de atornillar se pueden dañar.

Primero, gire el anillo de cambio de modo de accionamiento para que la flecha en el cuerpo de la máquina apunte hacia adelante . Coloque la punta de atornillar en la cabeza del tornillo y ejerza presión sobre la herramienta.

7 Operación de perforación de orificios

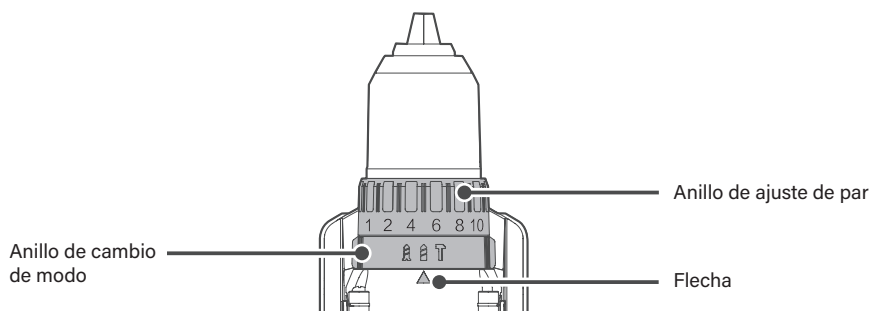
Primero, gire el anillo de ajuste de modo que la flecha apunte hacia adelante . Luego realice la operación de perforación.

Perforación de agujeros en madera:


La broca con tornillo guía para madera puede obtener los mejores resultados cuando se perforen agujeros en madera. Este tornillo guía hace más fácil la operación de perforación.

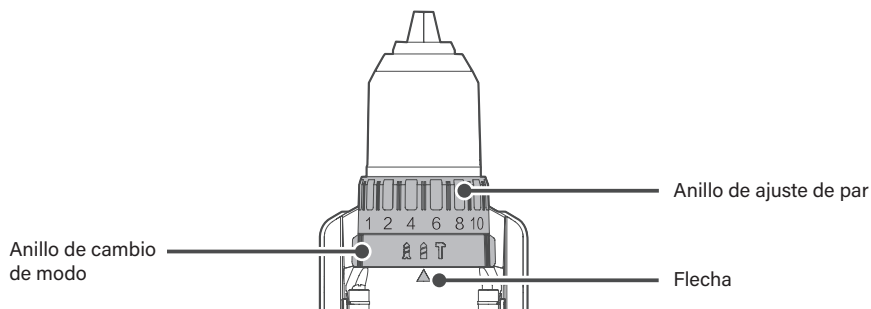
Perforación de agujeros en metal:

Cuando se empiece a perforar agujeros, para evitar que la broca se deslice, puede utilizar un cincel puntiagudo y un martillo para marcar en la placa metálica el lugar que desea perforar. Inserte la punta de la broca en la abolladura y empieza a perforar. Use aceite de corte cuando perforé agujeros en metal. La perforación en seco debe realizarse cuando se perforen agujeros en materiales de cobre y hierro.



8 Operación de perforación de impacto

Primero, gire el anillo de cambio de modo de accionamiento para que la flecha en el cuerpo de la máquina apunte hacia adelante . El anillo de ajuste puede ajustarse con cualquier nivel de par cuando se realice esta operación. Alinee la broca con la posición a perforar y luego apriete el gatillo interruptor. No utilice la herramienta ejerciendo demasiada fuerza. Se obtiene el mejor efecto ejerciendo presión suavemente. Mantenga la herramienta en una posición correcta para impedir que se desvíe de la posición del agujero.



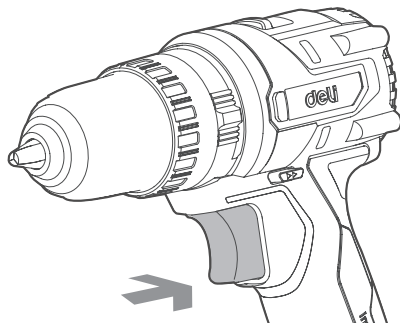
9 Encendido/Apagado



¡Advertencia! No utilice el interruptor de encendido/apagado para operar a baja velocidad durante mucho tiempo, de lo contrario, el interior de la máquina puede sobrecalentarse y dañar la máquina.



Lleve orejeras protectoras



10 Indicación LED



¡Advertencia! Asegúrese de que la luz LED se encienda al pulsar el interruptor cuando la palanca de dirección está posicionada en el extremo izquierdo o derecho.

Esta herramienta está equipada con un sistema de protección de la batería/herramienta. Este sistema puede cortar automáticamente la fuente de alimentación del motor para prolongar la vida útil de la batería y la herramienta. Si la herramienta o la batería están en las siguientes condiciones durante el funcionamiento, la herramienta dejará de funcionar automáticamente. La luz indicadora iluminará en algunos casos.

- Protección contra sobrecarga: La herramienta deja de funcionar automáticamente cuando se utiliza la herramienta/batería de tal manera que cause una corriente anormalmente alta. En este caso, apague la herramienta y detenga la aplicación que causó la sobrecarga en la herramienta. Luego encienda la herramienta para reiniciar.
- Protección contra sobrecalentamiento: La herramienta deja de funcionar automáticamente cuando la herramienta/batería se sobrecalienta. En este caso, espere a que se enfríe antes de volver a encender la herramienta.
- Protección contra sobrecalentamiento: Esta herramienta deja de funcionar automáticamente cuando la energía restante de la batería disminuye. Si este producto no funciona incluso con el interruptor encendido, retire la batería de la herramienta y cárgala.
- Protección por otros motivos: El sistema de protección también es adecuado para otras situaciones que puedan dañar la herramienta, con lo que la herramienta deja de funcionar automáticamente. Cuando la herramienta deja de trabajar de repente o temporalmente, realice los siguientes pasos para eliminar la causa de la anomalía.


1. Apague la herramienta y enciéndala de nuevo.
2. Cargue la batería o reemplácela con una recargable.
3. Espere a que se enfríe la herramienta y la batería.

Resolución de problemas

1. ¿Por qué no se pone marcha la máquina cuando se aprieta el gatillo?

Hay una palanca de dirección en la parte superior del interruptor, y la máquina bloquea el interruptor de encendido/apagado cuando esta palanca está en la posición media. Al mover la palanca a la posición en la que necesita activarse y pulsar el botón, la máquina empezará a girar.

2. ¿Por qué deja de funcionar el taladro de mano antes de que los tornillos estén apretados?

Ajuste el anillo de ajuste de par ente el cuerpo y el portabrocas en este momento. La posición 1 corresponde al par mínimo, mientras la posición 20 corresponde al par máximo. La posición  está pensada para perforar agujeros. Este problema puede resolverse ajustando el anillo de ajuste de par a la velocidad más alta.

3. ¿Por qué varía el tiempo de funcionamiento de la misma batería?

Como arriba, si una batería se deja de utilizar durante mucho tiempo, se reducirá el tiempo de funcionamiento de la misma. Esta situación mejorará después de varias cargas y usos. La energía de la batería también se agota rápido cuando se realizan trabajos pesados, por ejemplo, al atornillar tornillos largos en madera dura. No cargue la batería en ambientes por debajo de 0°C o por encima de 40°C, ya que esto puede afectar su rendimiento.

Mantenimiento



¡Advertencia! Antes de realizar cualquier reemplazo o trabajo de mantenimiento en la máquina, asegúrese de desconectar primero el enchufe.

Antes de realizar cualquier reemplazo o trabajo de mantenimiento en la máquina, asegúrese de retirar primero la batería.

Su herramienta eléctrica no requiere lubricación adicional o mantenimiento. No limpie la herramienta eléctrica con agua o agentes químicos de limpieza, solo límpiela con paño seco. La herramienta debe almacenarse en un ambiente seco manteniendo limpios los respiradores del motor. Trate de no utilizarla en un entorno polvoriento.

Protección medioambiental



Eliminación de basura

En respuesta a la protección medioambiental, las máquinas dañadas, los accesorios y los materiales de embalaje se deben clasificar cuidadosamente para un reciclaje fácil. A fin de facilitar la clasificación y el reciclaje, todas las piezas de plástico están marcadas con materiales.

Tarjeta de garantía del producto

Estimados usuarios:

Gracias por comprar nuestros productos. Con el fin de garantizar su beneficio, los usuarios que compran nuestros productos pueden ponerse en contacto con el distribuidor local o las estaciones de reparación especificadas con factura(s) y tarjeta(s) de garantía si el producto falla debido a problemas de calidad.

Aviso de garantía:

1. De _____ (Año/Mes/Día) a _____ (Año/Mes/Día), Si la falla ocurre durante el uso normal, nuestra compañía ofrecerá garantía gratuita, reemplazo de piezas y otros servicios de acuerdo con la situación de la falla.
2. Esta tarjeta de garantía y la factura de compra son el comprobante del servicio posventa proporcionado por nuestra empresa a los clientes. La tarjeta debe detallarse solo después de completar el siguiente formulario y colocar el sello oficial del distribuidor.
3. En los siguientes casos, el servicio de garantía gratuito no será válido y se exigirán tarifas de mantenimiento:
 - (1) Exceder la fecha de vencimiento.
 - (2) Fallo o daño causado por no seguir los requisitos del manual del producto o un mantenimiento o almacenamiento inadecuados.
 - (3) Fallo o daño causado por el desmontaje, la reparación o la modificación del producto sin el permiso de nuestra empresa.
 - (4) Avería de la máquina o daños causados por fuerza mayor.
 - (5) Accesorios consumibles.

Esta tarjeta se emite con el producto. Una tarjeta por máquina; para garantizar que pueda disfrutar plenamente del derecho al servicio de garantía gratuito proporcionado por la empresa, guarde esta tarjeta debidamente, la pérdida no será reemplazada.

Fecha de compra: _____ (Año/Mes/Día)

Certificado de producto

Inspector:

01

Fecha de fabricación:

NINGBO DELI TOOLS CO., LTD.

N° 128 Chezhan West Road, Huangtan Town,

Ninghai County, Ningbo, Zhejiang, China

delitoolsglobal@nbdeli.com

www.delitoolsglobal.com

+86 574 87562689

FABRICADO EN CHINA

Reservado para uso futuro

Versión: 1.0

Fecha: Junio, 2022



Especificações

Model	DE-CZ16-1D2	DE-CZ16-2D2
Rated voltage	16V \equiv	
Maximum torque	45N.m	55N.m
No-load speed	0-450/0-1800/min	
Impact frequency	0-7650/0-30600bpm	
Maximum chuck capacity	10mm	
Maximum chuck capacity	Wood	25mm
	Steel	10mm
Machine weight	0.75kg	0.76kg

⚠ Aviso! Utilize apenas os conjunto da bateria e carregadores listados. Utilizar outros tipos de conjuntos da bateria ou carregadores pode provocar ferimentos pessoais e/ou incêndio.

Recomenda-se que selecione os acessórios na loja onde adquiriu a sua ferramenta elétrica. Selecione os acessórios corretos para o seu trabalho. Consulte o pacote de acessórios para obter mais métodos e ajuda para a utilização.

Conjunto da bateria	DE-DC16A2	2.0Ah
	DE-DC16A3	2.5Ah
Carregador	DE-CD16A1E	1.5A de carga única

Símbolos

 Leia as instruções	 Sinais de aviso	 Use luvas de proteção	 Não coloque dentro de água
 Use abafadores auriculares de ruído	 Use óculos de proteção	 Bloqueio	 Não coloque no fogo
 Use máscaras	 Alta velocidade	 Baixa velocidade	 Perfuração de impacto
 Madeira	 Perfurar orifício	 Li-Ion	As baterias contém íões de lítio. Para proteger o ambiente, as baterias descarregadas devem ser separadas e recicladas e não devem ser atiradas junto com o lixo doméstico.
 Metal	 Chave de fendas	 Li-Ion	

Aplicação

Esta ferramenta é utilizada para perfuração de impacto em tijolos, estruturas de tijolo e laje. É também adequada para apertar parafusos e perfuração sem impacto em madeira, metal, cerâmica e plástico.

Instruções originais

Avisos gerais de segurança de ferramentas elétricas

AVISO Leia todos os avisos de segurança, instruções, ilustrações e especificações fornecidas com esta ferramenta elétrica.

O não cumprimento de todas as instruções listadas abaixo pode resultar em choque elétrico, incêndio e/ou ferimentos graves.

Guarde todos os avisos e instruções para referência futura.

O termo "ferramenta elétrica" dos avisos refere-se à sua ferramenta elétrica acionada a partir da rede elétrica (com fio) ou à ferramenta elétrica acionada a bateria (sem fio).

Segurança da área de trabalho

- 1. Mantenha a área de trabalho limpa e bem iluminada.** Áreas desorganizadas ou escuras convidam a acidentes.
- 2. Não opere ferramentas elétricas em atmosferas explosivas, tais como na presença de líquidos inflamáveis, gases ou pó.** As ferramentas elétricas criam faíscas que podem incendiar o pó ou os fumos.
- 3. Mantenha as crianças e todos os presentes afastados durante o funcionamento de uma ferramenta elétrica.** As distrações podem causar a perda de controlo.

Segurança elétrica

- 1. As fichas das ferramentas elétricas devem corresponder à tomada. Nunca modifique a ficha de forma alguma. Não utilize fichas adaptadoras com ferramentas elétricas ligadas à terra.** Fichas sem alterações e as tomadas correspondentes reduzirão o risco de choque elétrico.
- 2. Evite o contacto do corpo com superfícies de ligação à terra ou aterradas, tais como tubos, radiadores, grelhas e refrigeradores.** Existe um risco acrescido de choque elétrico se o seu corpo estiver ligado à terra.
- 3. Não exponha ferramentas elétricas a condições de chuva ou humidade.** A entrada de água numa ferramenta elétrica irá aumentar o risco de choque elétrico.
- 4. Não maltrate o cabo. Nunca utilize o cabo para transportar, puxar ou desligar a ferramenta elétrica. Mantenha o cabo longe do calor, óleo, arestas afiadas ou peças móveis.** Os cabos danificados ou enredados aumentam o risco de choque elétrico.
- 5. Ao operar uma ferramenta elétrica ao ar livre, utilize um cabo de extensão adequado para utilização ao ar livre.** A utilização de um cabo adequado para o exterior reduz o risco de choque elétrico.

- 6. Se operar uma ferramenta elétrica num local húmido for inevitável, utilize um dispositivo de corrente residual (DCR) para alimentação protegida.** A utilização de um DCR reduz o risco de choque elétrico.

Segurança pessoal

- 1. Fique atento, observe o que está a fazer e use o bom senso ao operar uma ferramenta elétrica. Não utilize uma ferramenta elétrica quando estiver cansado ou sob a influência de drogas, álcool ou medicamentos.** Um momento de desatenção durante a utilização de uma ferramenta elétrica pode resultar em sérios danos pessoais.
- 2. Utilize equipamento de proteção pessoal. Use sempre equipamento de proteção para os olhos.** O equipamento de proteção, como uma máscara de proteção contra o pó, sapatos de segurança antiderrapantes, capacete ou proteção auditiva utilizados em condições apropriadas, reduzirá os ferimentos pessoais.
- 3. Evite o arranque involuntário. Assegure-se de que o interruptor está na posição de desligado antes de ligar à fonte de alimentação e/ou bateria, e antes de pegar ou transportar a ferramenta.** Transportar ferramentas elétricas com o dedo no interruptor ou ligar a energia de ferramentas elétricas que tenham o interruptor ligado convida a acidentes.
- 4. Remova qualquer chave inglesa ou chave de ajuste antes de ligar a ferramenta elétrica.** Uma chave inglesa ou uma chave de ajuste deixada presa a uma parte rotativa da ferramenta elétrica pode resultar em ferimentos pessoais.
- 5. Não exagere o alcance. Mantenha sempre os pés assentes e o equilíbrio adequado.** Isto permite um melhor controlo da ferramenta elétrica em situações inesperadas.
- 6. Vista-se adequadamente. Não use roupa solta ou joias. Mantenha o cabelo e a roupa longe de peças móveis.** Roupas soltas, joias ou cabelo comprido podem ser apanhados por peças em movimento.
- 7. Se forem fornecidos dispositivos para a ligação de instalações de extração e recolha de pó, certifique-se de que estes estão ligados e são devidamente utilizados.** A utilização de dispositivos de recolha de poeira pode reduzir os perigos relacionados com o pó.
- 8. Não deixe que a familiaridade adquirida com o uso frequente de ferramentas lhe permita tornar-se complacente e ignorar os princípios de segurança das ferramentas.** Uma ação descuidada pode causar lesões graves numa fração de segundo.

Uso e cuidados a ter com ferramentas elétricas

- 1. Não force a ferramenta elétrica. Utilize a ferramenta elétrica correta para a sua aplicação.** A ferramenta elétrica correta fará o trabalho melhor e de forma mais segura ao ritmo para o qual foi concebida.
- 2. Não utilize a ferramenta elétrica se o interruptor não se ligar e desligar.** Qualquer ferramenta elétrica que não possa ser controlada com o interruptor é perigosa e deve ser reparada.
- 3. Desligue a ficha da fonte de alimentação e/ou remova a bateria da ferramenta elétrica, se esta for destacável, antes de fazer quaisquer ajustes, trocar acessórios ou de armazenar as ferramentas elétricas.** Tais medidas preventivas de segurança reduzem o risco de arranque acidental da ferramenta elétrica.
- 4. Armazene as ferramentas elétricas inativas fora do alcance das crianças e não permita que pessoas não familiarizadas com elas ou com estas instruções operem as ferramentas elétricas.** As ferramentas elétricas são perigosas nas mãos de utilizadores não treinados.
- 5. Manutenção das ferramentas elétricas e acessórios. Verifique se há desalinhamento de peças móveis ou se estas estão coladas, se existem peças quebradas e qualquer outra condição que possa afetar o funcionamento da ferramenta elétrica. Em caso de danos, mande reparar a ferramenta elétrica antes de a utilizar.** Muitos acidentes são causados por ferramentas elétricas com manutenção deficiente.
- 6. Mantenha as ferramentas de corte afiadas e limpas.** As ferramentas de corte com arestas cortantes afiadas com manutenção adequada têm menos probabilidades de se colarem e são mais fáceis de controlar.
- 7. Utilize a ferramenta elétrica, acessórios e peças da ferramenta, etc., de acordo com estas instruções, tendo em conta as condições específicas e o trabalho a ser realizado.** A utilização da ferramenta elétrica para operações diferentes daquelas para as quais foi concebida pode resultar numa situação perigosa.
- 8. Mantenha as pegas e as superfícies para agarrar secas, limpas e isentas de óleo e gordura.** As pegas e as superfícies de agarrar escorregadias não permitem um manuseamento e controlo seguros da ferramenta em situações inesperadas.

Utilização e cuidados a ter com baterias

- 1. Recarregue apenas com o carregador especificado pelo fabricante.** Um carregador que é adequado para um tipo de conjunto de baterias pode criar um risco de incêndio quando utilizado com outro conjunto de baterias.
- 2. Utilize ferramentas elétricas apenas com os conjuntos de baterias especificamente designados.** A utilização de outros conjuntos de baterias pode criar um risco de ferimento e incêndio.
- 3. Quando o conjunto de baterias não está a ser utilizado, mantenha afastado de outros objetos de metal, como cliques de papel, moedas, chaves, pregos, parafusos ou outros pequenos objetos de metal, que podem fazer a ligação de um terminal com o outro.** Colocar os terminais da bateria juntos em curto-circuito pode provocar queimaduras ou um incêndio.
- 4. Sob condições abusivas, pode sair líquido da bateria; evite o contacto. Se o contacto ocorrer acidentalmente, lave com água. Se o líquido entrar em contacto com os olhos procure também ajuda médica.** O líquido que derrame da bateria pode provocar irritação ou queimaduras.
- 5. Não utilize um conjunto de baterias ou ferramenta que esteja danificada ou tenha sido modificado.** Baterias danificadas ou modificadas podem apresentar um comportamento inesperado, que resulta em incêndio, explosão ou risco de ferimentos.
- 6. Não exponha o conjunto da bateria ou a ferramenta ao fogo ou a temperaturas excessivas.** A exposição ao fogo ou a temperaturas acima de 130 °C pode provocar explosão.
- 7. Siga todas as instruções de carregamento e não carregue o conjunto de baterias ou a ferramenta fora do intervalo de temperatura especificado nas instruções.** O carregamento inapropriado ou a temperaturas fora do intervalo especificado pode danificar a bateria e aumentar o risco de incêndio.

Manutenção

- 1. Faça a manutenção da sua ferramenta elétrica por um técnico de reparação qualificado, utilizando apenas peças de substituição idênticas.** Isto garantirá que a segurança da ferramenta elétrica é mantida.
- 2. Nunca repare conjuntos de baterias danificados.** A reparação de conjuntos de baterias só deve ser efetuada pelo fabricante ou por prestadores de serviços autorizados.

Instruções adicionais de segurança para Perfuração

Instruções de segurança para todas as operações

1. **Utilize protetores auditivos.** A exposição ao ruído pode provocar perda de audição.
2. **Segure a ferramenta devidamente antes de utilizar.** Esta ferramenta produz um binário de saída elevado e se não segurar devidamente a ferramenta durante o funcionamento, pode perder o controlo, resultando em ferimentos pessoais.
3. **Segure a ferramenta elétrica apenas pelas superfícies de agarrar isoladas, ao executar uma operação em que o acessório de corte possa entrar em contacto com cabos ocultos ou com o seu próprio cabo.** O acessório de corte em contacto com um cabo elétrico "sob tensão" pode colocar "sob tensão" as partes metálicas expostas da ferramenta elétrica e pode causar um choque elétrico ao operador.

Instruções de segurança quando utiliza brocas de perfuração longas

1. **Nunca opere a uma velocidade superior à velocidade máxima nominal da broca de perfuração.** A velocidades superiores, é provável que a broca dobre se puder rodar livremente sem contacto com a peça de trabalho, resultando em ferimentos pessoais
2. **Comece sempre a perfurar a baixa velocidade, com a ponta da broca em contacto com a peça de trabalho.** A velocidades superiores, é provável que a broca dobre se puder rodar livremente sem contacto com a peça de trabalho, resultando em ferimentos pessoais.
2. **Aplique pressão apenas numa direção alinhada com a broca e não aplique pressão excessiva.** As brocas podem dobrar, provocando a sua quebra ou perda de controlo, resultando em ferimentos pessoais.

Informação sobre ruído/vibração CE

Valores de emissão de ruído determinados de acordo com a norma

EN 62841-2-1.

Normalmente, o nível de ruído ponderado A da ferramenta elétrica é: Nível de pressão sonora 83 dB(A); nível de potência sonora 94 dB(A).

Incerteza K = 5 dB.

Use proteção auditiva!

Valores totais de vibração ah (soma vetorial triaxial) e incerteza K determinados de acordo com a norma EN 62841-2-1:

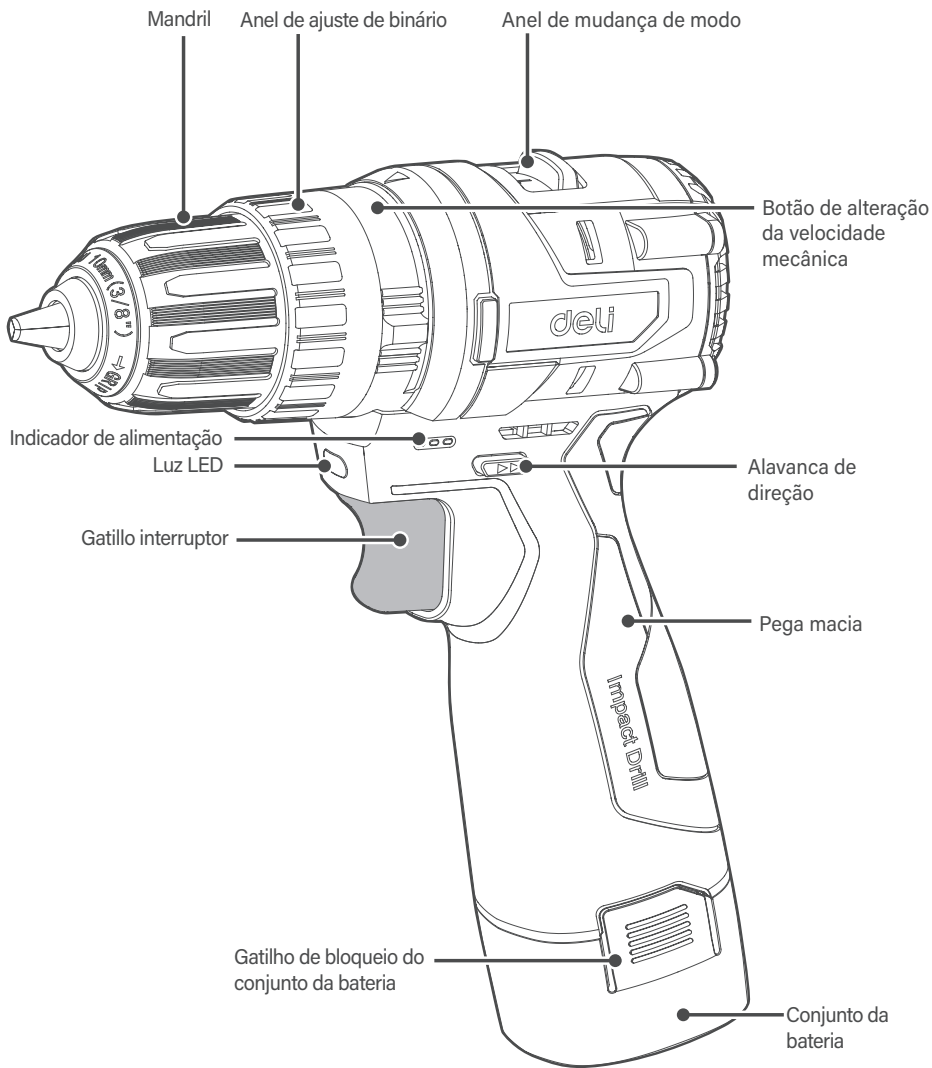
Perfurar em metal: ah = 4,5 m/s², K = 1,5 m/s².

O nível de vibração e o valor de emissão de ruído indicados nestas instruções foram medidos de acordo com um processo de medição normalizado e podem ser utilizados para comparar ferramentas elétricas. Podem também ser utilizados para uma estimativa preliminar das emissões de vibrações e de ruído.

O nível de vibração e o valor de emissão de ruído indicados representam as principais aplicações da ferramenta elétrica. No entanto, se a ferramenta elétrica for utilizada para outras aplicações, com ferramentas de aplicação diferentes ou se a sua manutenção for deficiente, o nível de vibração e o valor de emissão de ruído podem ser diferentes. Este facto pode aumentar significativamente as emissões de vibrações e de ruído durante todo o período de trabalho.

Para estimar com exatidão as emissões de vibrações e de ruído, devem também ser tidos em conta os períodos em que a ferramenta está desligada ou em funcionamento mas não está a ser utilizada.

Este facto pode reduzir significativamente as emissões de vibrações e de ruído durante todo o período de trabalho. Implemente medidas de segurança adicionais para proteger o operador dos efeitos das vibrações, tais como a manutenção da ferramenta elétrica e das ferramentas de aplicação, manter as mãos quentes e a organização correta dos fluxos de trabalho.



Instruções de Funcionamento

Nota: Leia o Manual de Instruções antes de operar.

1 Instalar/remover conjunto da bateria

Quando instala ou remove o conjunto da bateria, certifique-se de que a máquina está num estado de desligada; Quando remove o conjunto da bateria, prima o botão acima do conjunto da bateria enquanto puxa para fora da ferramenta;

Quando instala o conjunto da bateria, alinhe a palheta no conjunto da bateria com a ranhura na estrutura da máquina e deslize na posição. Insira por completo na posição até o conjunto da bateria ficar bloqueado e ouvir um clique. Se não estiver instalado devidamente, pode fazer com que o conjunto da bateria se separe da ferramenta e provoque ferimentos pessoais.

2 Remover/insertar a broca de perfuração



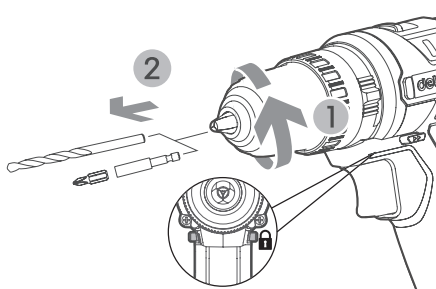
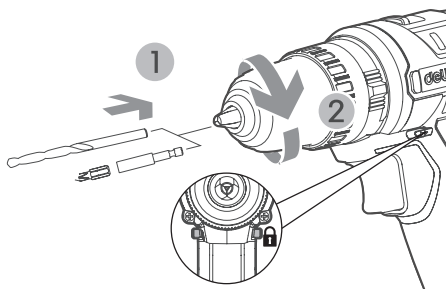
Aviso! Antes de trocar os acessórios, certifique-se de que desliga o interruptor e remove o conjunto da bateria; tente colocar a broca de perfuração na parte mais interior do mandril e certifique-se de que a broca de perfuração está apertada; Antes de ligar a ferramenta, certifique-se de que não existem perigos de segurança para o mandril, uma vez que os danos ou afrouxamento do mandril podem provocar ferimentos pessoais.



Utilize luvas de proteção quando inserir a ficha



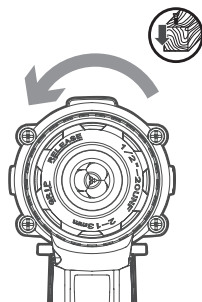
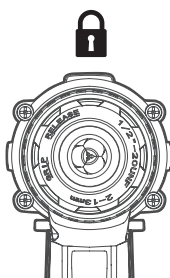
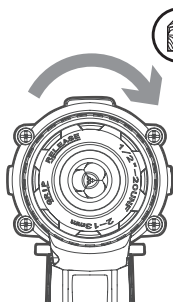
Utilize luvas de proteção quando remover a ficha



3 Alterar o movimento para a frente e para trás

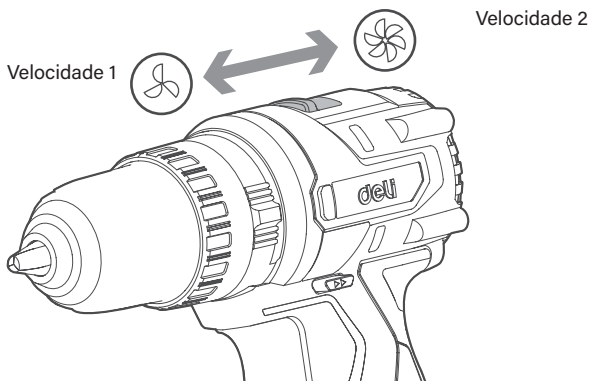


Aviso! 1. Confirme a direção de rotação da ferramenta antes de operar; 2. A alavanca de direção só pode ser utilizada quando a ferramenta parar de rodar por completo. Pode provocar danos à alavanca de direção se a direção de rotação for alterada durante o funcionamento da ferramenta; 3. Quando a ferramenta não está a ser utilizada, coloque sempre a alavanca de direção na posição neutra. Quando a alavanca de direção está na posição neutra, o interruptor não pode ser premido.



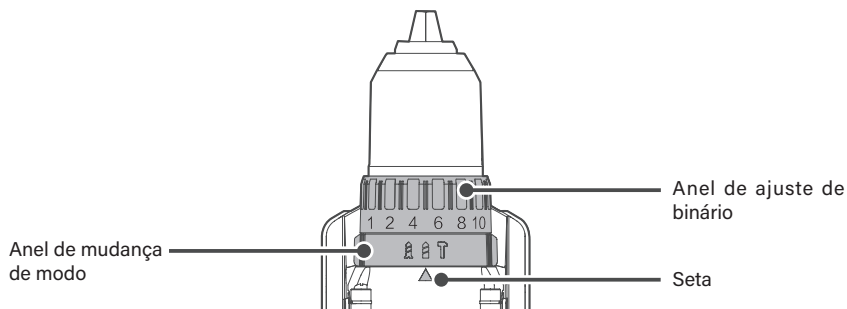
4 Alterar velocidade

Certifique-se de que coloca por completo o botão de alteração da velocidade mecânica na posição correta. O berbequim elétrico pode danificar-se se for ligado quando o botão de alteração da velocidade mecânica está no meio da velocidade "1" ou "2".



5 Ajuste de binário


O binário de aperto pode ser ajustado em 20 níveis, ao rodar o anel de ajuste. Alinhe a escala com a seta no corpo da ferramenta. O binário de aperto é o mínimo quando está definido em 1 e é o máximo quando está definido em 20.



5 Apertar o parafuso

Cuidado: Ajuste o anel de ajuste para o nível de binário apropriado para o funcionamento.

Cuidado: Certifique-se de que insere o bit da chave de fendas direito na extremidade da cabeça do parafuso, caso contrário pode danificar o parafuso e/ou o bit do parafuso.

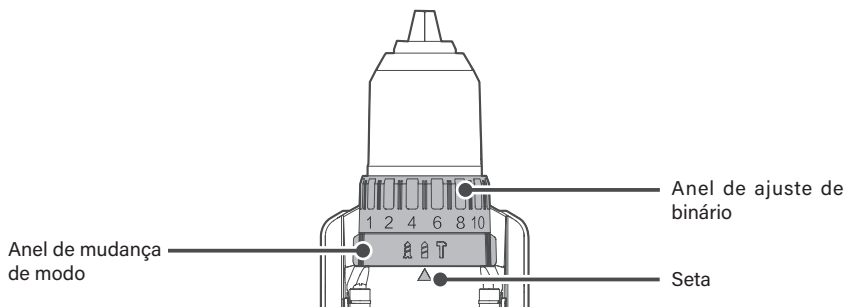
Primeiro, rode o anel de mudança de modo de ação para que a seta no corpo da máquina aponte para . Coloque a ponta do bit da chave de fendas na cabeça do parafuso e aplique pressão à ferramenta.

7 Funcionamento de perfuração do orifício

Primeiro, gire o anel de ajuste para que a seta aponte para . Efetue então a operação de perfuração. Perfurar orifícios em madeira:

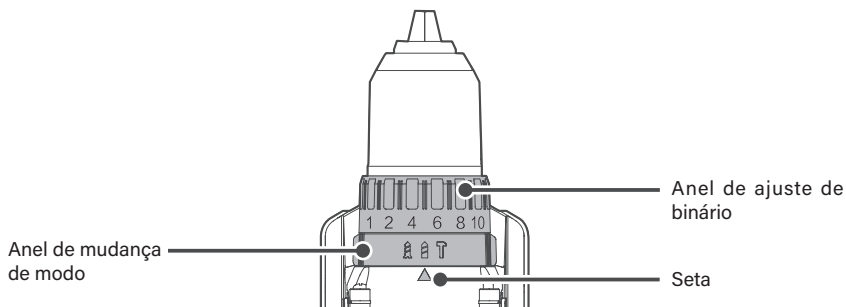
O bit de perfuração com um parafuso de cabeça utilizado para madeira podem alcançar os melhores resultados quando perfuram orifícios em madeira. Este parafuso de cabeça facilita a operação de perfurar. Perfurar orifícios em metal:

Quando começa a perfurar orifícios, para evitar que o bit de perfuração deslize, pode utilizar uma ferramenta de punção pontiaguda e um martelo para fazer uma marca na placa de metal onde pretende perfurar. Insira a ponta do bit de perfuração na ranhura e comece a perfurar. Utilize óleo de corte quando perfura em metal. Perfurar a seco deve ser realizado quando perfura orifícios em materiais de ferro e cobre.



8 Funcionamento de perfuração de impacto

Primeiro, rode o anel de mudança de modo de ação para que a seta no corpo da máquina aponte para . O anel de ajuste pode ser alinhado com qualquer nível de binário quando realiza esta operação. Alinhe o bit de perfuração com a posição a ser perfurada e puxe o acionamento do interruptor. Não utilize as ferramentas com força excessiva. Aplicar cuidadosamente pressão tem o melhor efeito. Mantenha o posicionamento correto da ferramenta para evitar o desvio da ferramenta da posição do orifício.



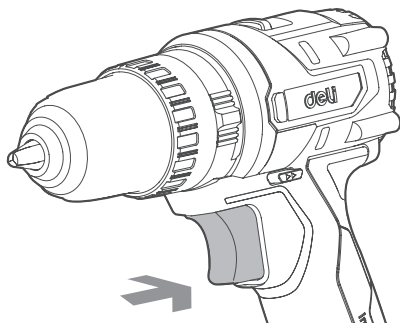
9 Ligar/Desligar



Aviso! Não utilize o interruptor ligar/parar para operar a baixa velocidade durante um longo período de tempo, caso contrário o interior do aparelho pode sobreaquecer e provocar danos à ferramenta.



Use abafadores auriculares de ruído



10 Indicação LED



Aviso! Certifique-se de que a luz LED se liga quando prime o interruptor quando a alavanca está na posição mais afastada à esquerda ou à direita.

Esta ferramenta está equipada com um sistema de proteção da ferramenta/bateria. Este sistema pode cortar automaticamente a fonte de alimentação para o motor para aumentar a durabilidade da ferramenta e da bateria. Se a ferramenta ou a bateria estiverem nas seguintes condições durante o funcionamento, a ferramenta irá automaticamente parar de funcionar. A luz indicadora irá acender-se em alguns casos.

- Proteção contra sobrecarga: A ferramenta irá automaticamente parar de funcionar quando operar a ferramenta/bateria de uma forma que provoque corrente anormalmente elevada. Neste caso, desligue a ferramenta e pare a aplicação que provocou a sobrecarga da ferramenta. Depois ligue a ferramenta para reiniciar.
- Proteção contra sobreaquecimento: A ferramenta irá automaticamente parar de funcionar quando a ferramenta/bateria sobreaquecer. Neste caso, aguarde que a ferramenta arrefeça antes de voltar a ligar a ferramenta.
- Proteção contra descarga: esta ferramenta para automaticamente de funcionar quando a carga restante da bateria diminui. Este produto não opera mesmo quando o interruptor é ligado, remova a bateria da ferramenta e carregue-a.
- Proteção por outros motivos: O sistema de proteção também se adequa a outras situações que podem provocar danos à ferramenta, parando assim automaticamente o funcionamento da ferramenta. Quando a ferramenta para de funcionar temporariamente ou a meio do funcionamento, efetue todos os passos seguintes para eliminar a causa da anomalia.


1. Desligue a ferramenta e reinicie.
2. Carregue a bateria ou substitua por uma bateria recarregável.
3. Aguarde que as ferramentas e a bateria arrefeçam.

Resolução de Problemas

1. Por que é que a máquina não funciona quando o acionamento do interruptor é premido?

Existe uma alavanca de direção na parte superior do interruptor, e a máquina irá bloquear o interruptor ligar/parar quando esta alavanca está na posição intermédia. Mova a alavanca para a posição onde precisa ser colocada, e prima o botão, assim a máquina começa a rodar.

2. Porque motivo o berbequim de mão para de funcionar antes dos parafusos estarem apertados?

Ajuste o anel de ajuste de binário entre o corpo e o mandril neste momento. A posição 1 corresponde ao binário mínimo, ao passo que a posição 20 corresponde ao binário máximo. A posição  destina-se a perfurar orifícios. Este problema pode ser solucionado depois de ajustar o anel de ajuste de binário para uma velocidade superior.

3. Por que o tempo de funcionamento do mesmo conjunto da bateria pode variar?

Como indicado acima, se um conjunto da bateria for deixado sem utilizar durante um longo período de tempo, isso irá encurtar o seu tempo de funcionamento. Esta situação será melhorada após vários carregamentos e utilizações. A carga do conjunto da bateria também será consumida rapidamente quando realiza trabalhos pesados, por exemplo, perfura um parafuso grande em madeiras nobres. Não carregue o conjunto da bateria em ambientes abaixo de 0°C ou acima de 40°C, pois isto também pode afetar o seu desempenho.

Manutenção



Aviso! Antes de efetuar qualquer trabalho de substituição ou manutenção na máquina, certifique-se primeiro de que desligou a ficha da corrente elétrica.

Antes de efetuar qualquer trabalho de substituição ou manutenção na máquina, certifique-se primeiro de que removeu a bateria.

A sua ferramenta elétrica não requer de lubrificação ou manutenção adicionais. Não ligue as suas ferramentas elétricas com água ou agentes de limpeza químicos, basta limpar com um pano limpo e seco. As ferramentas devem ser guardadas num ambiente seco e as ventilações do motor devem ser mantidas limpas. Tente não utilizar num ambiente poeirento.

Proteção ambiental



Eliminação de resíduos

A fim de responder aos requisitos de proteção ambiental, deve fazer uma triagem cuidadosa das máquinas, acessórios e materiais de embalagem danificados para facilitar a sua reciclagem. A fim de facilitar a triagem e a reciclagem, todas as peças plásticas estão marcadas com símbolos que identificam os materiais.

Cartão de Garantia de Produto

Caros utilizadores:

Obrigado pela compra dos nossos produtos. A fim de garantir o benefício da sua compra, os utilizadores que compram os nossos produtos podem contactar o distribuidor local ou os pontos de reparação especificados com a fatura e os cartões de garantia se o produto falhar devido a problemas de qualidade.

Aviso de Garantia:

1. A partir de _____ (Ano/Mês/Dia) até _____ (Ano/Mês/Dia), Se a falha acontecer numa utilização normal, a nossa empresa fornecerá garantia gratuita, substituição de peças e outros serviços de acordo com a situação da falha.
2. Este cartão de garantia e a fatura de compra são o comprovativo do serviço pós-venda fornecido pela nossa empresa aos clientes. O cartão só deve ser detalhado depois de preencher o seguinte formulário e fazer apor o selo oficial junto do distribuidor.
3. Em qualquer dos seguintes casos, o serviço de garantia gratuito será inválido e será necessário o pagamento de taxas de manutenção:
 - (1) Ultrapassada a data de validade da garantia.
 - (2) Falha ou danos causados por não terem sido seguidos os requisitos do manual do produto e/ou manutenção ou armazenamento inadequados.
 - (3) Avarias ou danos causados pela desmontagem, reparação ou modificação do produto sem a permissão da nossa empresa.
 - (4) Avaria do aparelho ou danos causados por motivo de força maior.
 - (5) Acessórios consumíveis.

Este cartão é emitido com o produto. Um cartão para cada máquina, para garantir que pode usufruir plenamente do direito ao serviço de garantia gratuito prestado pela empresa. Por favor, mantenha este cartão devidamente guardado, pois um cartão perdido não será substituído.

Data de compra: _____ (Ano/Mês/Dia)

Certificado de producto

Inspector:

01

Fecha de fabricación:

NINGBO DELI TOOLS CO., LTD.

N° 128 Chezhan West Road, Huangtan Town,

Ninghai County, Ningbo, Zhejiang, China

delitoolsglobal@nbdeli.com

www.delitoolsglobal.com

+86 574 87562689

FABRICADO EN CHINA

Reservado para uso futuro

Versión: 1.0

Fecha: Junio, 2022



Технические характеристики

Модель		DE-CZ16-1D2	DE-CZ16-2D2
Номинальное напряжение		16V \equiv	
Максимальный крутящий момент		45N.m	55N.m
Частота вращения без нагрузки		0-450/0-1800/min	
Частота ударов		0-7650/0-30600bpm	
Максимальный диаметр зажимаемой оснастки		10mm	
Максимальная глубина сверления	Древесина	25mm	
	Сталь	10mm	
Вес инструмента		0.75kg	0.76kg

⚠ Внимание! Используйте только перечисленные аккумуляторные батареи и зарядные устройства. Использование других аккумуляторных батарей или зарядных устройств может привести к травме и/или пожару.

Рекомендуется выбирать принадлежности в том же магазине, в котором вы приобрели электроинструмент. Выбирайте принадлежности, подходящие для ваших задач. Для справки ознакомьтесь с комплектом принадлежностей.

Аккумуляторная батарея	DE-DC16A2	2,0 Ач
	DE-DC16A3	2,5 Ач
Зарядное устройство	DE-CD16A1E	1.5 А, зарядка одного аккумулятора

Обозначения

 Прочтите инструкцию	 Предупреждающие знаки	 Наденьте защитные перчатки	 Не помещать изделие в воду
 Наденьте защитные наушники	 Наденьте защитные очки	 Блокировка	 Не помещать изделие в огонь
 Наденьте маску	 Высокая скорость вращения	 Низкая скорость вращения	 Режим ударной дрели
 Древесина	 Режим дрели	 Аккумуляторы содержат ионы лития. В целях защиты окружающей среды вышедшие из строя аккумуляторы необходимо сортировать и перерабатывать, а не выбрасывать в мусорное ведро.	
 Металл	 Режим шуруповерта		

Технические характеристики

Этот инструмент предназначен для ударного сверления кирпича, кирпичных конструкций и каменной кладки. Он также подходит для закручивания шурупов и безударного сверления древесины, металла, керамики и пластика.

Оригинальная инструкция

Общие предупреждения по технике безопасности при обращении с электроинструментом

ПРЕДУПРЕЖДЕНИЕ. Ознакомьтесь со всеми предупреждениями по технике безопасности, инструкциями, иллюстрациями и спецификациями, прилагаемые к этому электроинструменту.

Несоблюдение любых из перечисленных ниже инструкций может стать причиной поражения электрическим током, возгорания и/или тяжелых травм.

Сохраните все предупреждения и инструкции для обращения к ним в будущем.

Термин «электроинструмент» в предупреждениях относится к электроинструменту, работающему от сети (проводному), или к электроинструменту, работающему от аккумулятора (беспроводному).

Безопасность рабочей зоны

1. **Следите за тем, чтобы рабочее место было чистым и хорошо освещенным.** Загроможденные и плохо освещенное рабочее место может стать причиной несчастных случаев.
2. **Не используйте электроинструменты во взрывоопасных средах, например в присутствии легковоспламеняющихся жидкостей, газов или пыли.** Электроинструменты создают искры, которые могут воспламенить пыль или пары.
3. **Во время работы с электроинструментом не позволяйте детям и посторонним лицам приближаться к рабочей зоне.** Отвлекающие факторы могут привести к потере контроля над электроинструментом.

Электрическая безопасность

1. **Вилки электроинструмента должны соответствовать розетке. Ни в коем случае не модифицируйте вилку.** Запрещено использование переходников для подключения заземленных электроинструментов. Использование немодифицированных вилок и соответствующих им розеток снижает риск поражения электрическим током.
2. **Не прикасайтесь к заземленным предметам, таким как трубы, отопительные батареи, кухонные плиты и холодильники.** Это уменьшит риск поражения электрическим током.
3. **Не допускайте попадания влаги на электроинструмент и не используйте его во влажной среде.** Попадание воды в

электроинструмент повышает риск поражения электрическим током.

4. **Будьте осторожны с сетевым шнуром.** Запрещается использовать сетевой шнур для переноски, перемещения или отключения электроинструмента от сети. Держите сетевой шнур вдали от источников тепла, масла, острых краев и движущихся частей. Поврежденный или запутанный сетевой шнур повышает риск поражения электрическим током.
5. **При работе с электроинструментом на открытом воздухе используйте удлинитель, подходящий для использования вне помещений.** Использование удлинителя, предназначенного для наружных работ, снижает риск поражения электрическим током.
6. **При необходимости выполнять работы во влажной среде используйте источник электропитания, оборудованный устройством защитного отключения (УЗО).** Использование УЗО снижает риск поражения электрическим током.

Личная безопасность

1. **При работе с электроинструментом будьте внимательны, следите за своими действиями и руководствуйтесь здравым смыслом. Не работайте с электроинструментом, если вы утомлены, находитесь в состоянии алкогольного, наркотического опьянения или под воздействием лекарственных средств.** Малейшая невнимательность при работе с электроинструментом может привести к серьезной травме.
2. **Используйте средства индивидуальной защиты. Всегда надевайте средства защиты глаз.** Средства индивидуальной защиты, такие как респиратор, защитная обувь с нескользящей подошвой, каска, средства защиты органов слуха, помогут вам избежать травм.
3. **Не допускайте случайного запуска.** Убедитесь, что выключатель находится в выключенном положении, перед тем как подключаться к источнику питания, брать или переносить электроинструмент. Переноска электроинструмента с пальцем на выключателе или подключение к источнику питания во включенном состоянии может привести к несчастному случаю.
4. **Перед включением электроинструмента снимите с него регулировочные и гаечные ключи.** Ключ, оставшийся на вращающейся части электроинструмента, может привести к травме.

5. **Не тянитесь слишком далеко.** Всегда сохраняйте надлежащую опору и равновесие. Это позволяет лучше контролировать электроинструмент в непредвиденных ситуациях.
6. **Одевайтесь правильно.** Не носите свободную одежду и украшения. Держите волосы и одежду подальше от движущихся частей. Свободная одежда, украшения или небрежные волосы могут попасть в движущиеся части.
7. **Если предусмотрены устройства для подключения приспособлений для удаления и сбора пыли, следите за тем, чтобы такие приспособления подключались и использовались надлежащим образом.** Использование пылеулавливающей системы может снизить влияние опасных факторов.
8. **Не допускайте того, чтобы в результате приобретенного опыта работы с электроинструментами вы потеряли бдительность и игнорировали технику безопасности.** Неосторожное действие может привести к серьезной травме в течение доли секунды.

Эксплуатация электроинструмента и уход за ним

1. **Не перегружайте электроинструмент.** Правильно подбирайте электроинструмент для работы. Правильно подобранный электроинструмент лучше и безопаснее выполняет работу на предусмотренных оборотах.
2. **Не используйте электроинструмент, если его невозможно включить и выключить выключателем.** Любой электроинструмент, которым нельзя управлять с помощью выключателя, опасен и подлежит ремонту.
3. **Отсоедините вилку от источника питания и/или извлеките из электроинструмента аккумуляторную батарею, если она съемная, прежде чем выполнять настройку, менять насадки или помещать электроинструмент на хранение.** Такие превентивные меры безопасности снижают риск случайного включения электроинструмента.
4. **Храните неиспользуемые электроинструменты в недоступном для детей месте и не позволяйте лицам, не знакомым с электроинструментом или данными инструкциями, работать с электроинструментом.** Электроинструменты опасны в руках неподготовленных пользователей.
5. **Поддерживайте электроинструменты и насадки в надлежащем рабочем состоянии.** Проверьте движущиеся детали на предмет несоосности или

- заедания, выявите сломанные детали и другие условия, которые могут повлиять на работу электроинструмента. В случае повреждения отремонтируйте электроинструмент перед использованием. Многие несчастные случаи вызваны плохим обслуживанием электроинструмента.
6. **Держите режущие инструменты в заточенном и чистом состоянии.** Правильно обслуживаемые режущие инструменты с острыми режущими кромками с меньшей вероятностью заедают, и ими легче управлять.
 7. **Используйте электроинструмент, принадлежности, насадки и т. д. в соответствии с настоящей инструкцией, принимая во внимание рабочие условия и выполняемую работу.** Использование электроинструмента для операций, отличных от предусмотренных, может привести к возникновению опасной ситуации.
 8. **Держите ручки и поверхности для захвата сухими, чистыми и не допускайте попадания на них смазки.** Скользкие ручки и поверхности для захвата не позволяют безопасно обращаться с инструментом и контролировать его в непредвиденных ситуациях.

Эксплуатация аккумуляторных инструментов и уход за ними

1. **Используйте только зарядное устройство, указанное производителем.** Зарядное устройство, подходящее для одного типа аккумуляторов, может стать причиной возгорания при использовании его с аккумуляторами другого типа.
2. **Используйте электроинструменты только с предназначенными для них аккумуляторами.** Использование любых других аккумуляторов может привести к возникновению пожара и травмам.
3. **Когда аккумулятор не используется, держите его вдали от других металлических предметов, таких как скрепки, монеты, ключи, гвозди, винты или другие мелкие металлические предметы, которые могут соединить одну клемму с другой.** Короткое замыкание на клеммах аккумулятора может привести к ожогам или пожару.
4. **При небрежном обращении из аккумулятора может вытекать содержащаяся в нем жидкость; избегайте контакта с этой жидкостью.** При случайном контакте промойте место контакта водой. При попадании жидкости в глаза обязательно обратитесь за медицинской помощью. Жидкость, вытекающая из аккумулятора, может вызвать раздражение или ожоги.

5. **Не используйте поврежденные или модифицированные аккумуляторы или инструменты.** Поврежденные или модифицированные аккумуляторы неустойчивы в работе, что может привести к возгоранию, взрыву или травмам.
6. **Аккумулятор и инструменты не должны подвергаться воздействию огня или чрезмерной температуры.** Воздействие огня или температуры выше 130 °C может привести к взрыву.
7. **Следуйте всем инструкциям по зарядке и не заряжайте аккумулятор или инструмент, если окружающая температура находится за пределами разрешенного диапазона.** Неправильная зарядка или зарядка при температурах, выходящих за пределы указанного диапазона, может привести к повреждению аккумулятора и значительно повышает риск возгорания.

Обслуживание

1. **Доверяйте обслуживание электроинструмента квалифицированному специалисту и используйте только оригинальные запасные части.** Это обеспечит безопасность электроинструмента.
2. **Проводить обслуживание поврежденных аккумуляторов строго запрещено.** Таким обслуживанием должен заниматься только производитель или его уполномоченный представитель.

Дополнительные инструкции по технике безопасности для электродрели

Инструкции по технике безопасности для всех видов работ

1. **Используйте средства защиты органов слуха.** Воздействие шума может привести к потере слуха.
2. **Правильно закрепите инструмент перед началом использования.** Данный инструмент создает высокий крутящий момент. Если инструмент не закрепить надлежащим образом, может произойти потеря контроля, что приведет к получению травм.
3. **В случаях, когда возможен контакт режущего инструмента со скрытой электрической проводкой или собственным шнуром питания, держите электроинструмент за изолированную поверхность захвата.** Контакт режущей части с проводами под напряжением может привести к тому, что открытые части электроинструмента окажутся под напряжением, что способно стать причиной поражения электрическим током.

Инструкции по технике безопасности при использовании удлиненных сверл

1. **Использовать удлиненные сверла, если скорость сверления превышает максимально допустимую, строго запрещено.** На более высокой скорости свободно вращающееся без контакта с заготовкой сверло может погнуться, приводя к получению травм.
2. **Всегда начинайте сверление на малой скорости, когда наконечник сверла соприкасается с заготовкой.** На более высокой скорости свободно вращающееся без контакта с заготовкой сверло может погнуться, приводя к получению травм.
3. **Прилагайте усилие строго в направлении сверла и избегайте избыточного давления.** Сверла могут погнуться, что вызовет их разлом и потерю контроля, приводя к получению травм.

SE Информация о шуме/вибрации

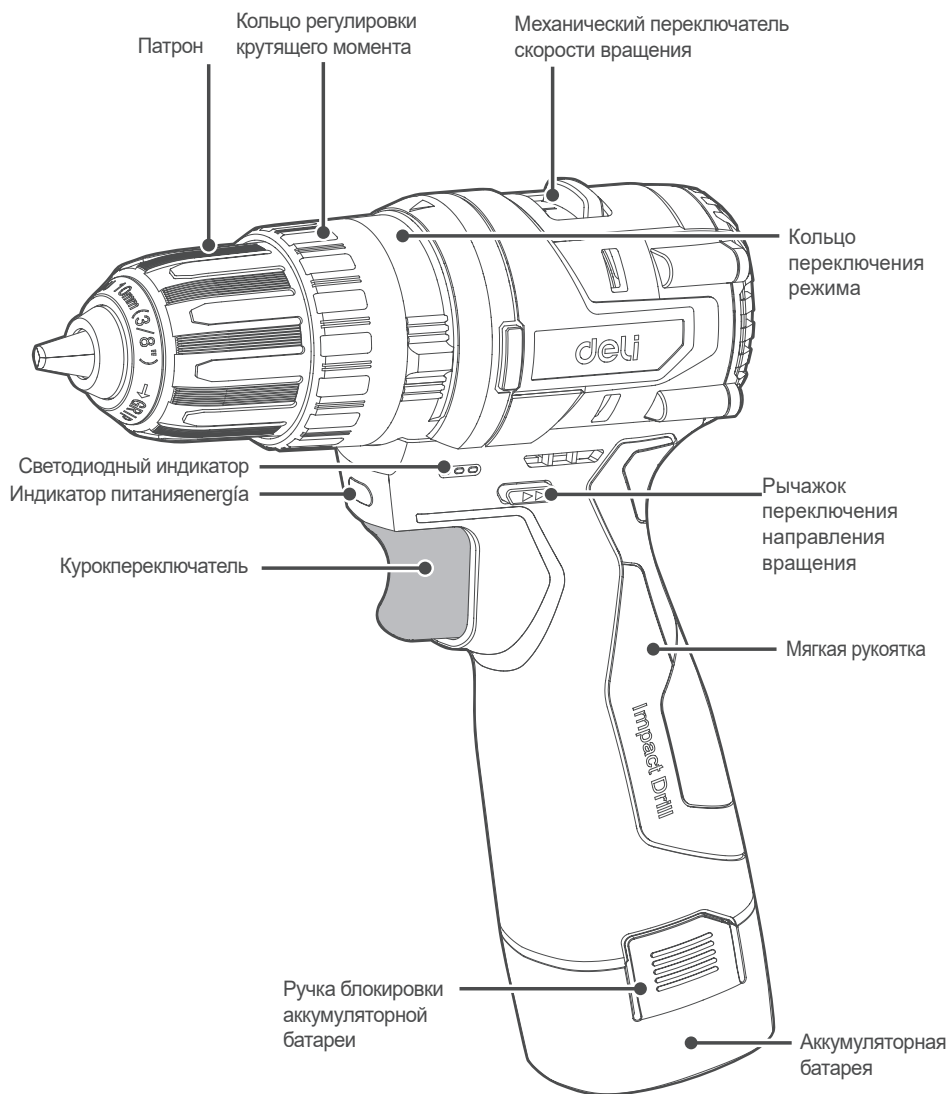
Значения уровня шума определены в соответствии со стандартом EN 62841-2-1.

Обычно A-взвешенный уровень шума электроинструмента составляет: Уровень звукового давления 83 дБ(A); уровень звуковой мощности 94 дБ(A). Погрешность K = 5 дБ. Используйте средства защиты органов слуха!

Суммарные значения вибрации ah (векторная сумма по трем осям) и погрешность K определены в соответствии со стандартом EN 62841-2-1:

Сверление металла: ah = 4,5 м/с², K = 1,5 м/с². Приведенные в данной инструкции значения уровня вибрации и шума были получены в соответствии со стандартной процедурой измерения и могут использоваться для сравнения электроинструментов. Их также можно использовать для предварительной оценки уровня создаваемых вибраций и шума. Приведенные уровни вибрации и шума соответствуют основным областям применения электроинструмента. Однако, если электроинструмент используется для других целей, с другим оборудованием или плохо обслуживается, уровни вибрации и шума могут отличаться от указанных. Это может значительно повысить уровень вибрации и шума в течение всего рабочего периода. Для точной оценки уровней вибрации и шума следует также учитывать время, когда инструмент выключен или когда он включен, но фактически не используется.

Это может значительно снизить уровень вибрации и шума в течение всего периода работы. Используйте дополнительные меры безопасности для защиты оператора от воздействия вибрации, такие как своевременное обслуживание электроинструмента и вспомогательных устройств, контроль нагрева рукояток и правильная организация рабочих процессов. рукояток и правильная организация рабочих процессов.



Инструкции по эксплуатации

Примечание. Ознакомьтесь с руководством перед началом эксплуатации.

1 Установка/снятие аккумуляторной батареи

При установке или снятии аккумуляторной батареи убедитесь, что инструмент выключен. Для извлечения аккумуляторной батареи нажмите кнопку над ней и вытащите ее из инструмента. Для установки аккумуляторной батареи совместите выступ на ней с канавкой на корпусе инструмента, после чего задвиньте ее на место. Задвигайте ее, пока она не зафиксируется и не защелкнется. При неправильной установке возможно отсоединение аккумуляторной батареи от инструмента и нанесение травмы.

2 Удаление/вставка сверла

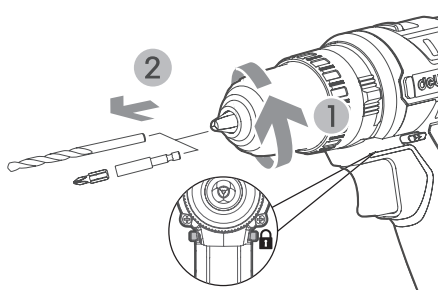
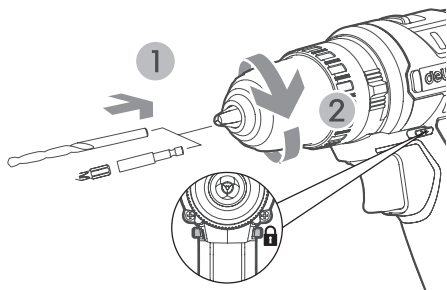
! **Внимание!** Перед заменой принадлежностей обязательно переведите переключатель питания в выключенное состояние и извлеките аккумуляторную батарею. Вставьте сверло как можно глубже и убедитесь, что оно зажато. Перед запуском инструмента проверьте состояние патрона, поскольку его повреждение или ослабление может привести к травме.



При установке оснастки используйте защитные перчатки

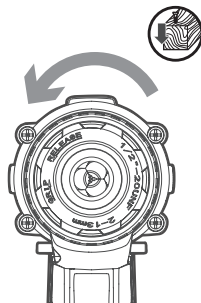
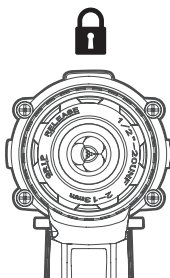
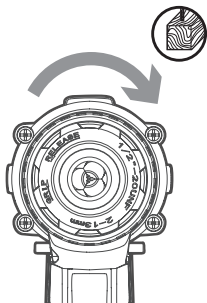


При извлечении оснастки используйте защитные перчатки



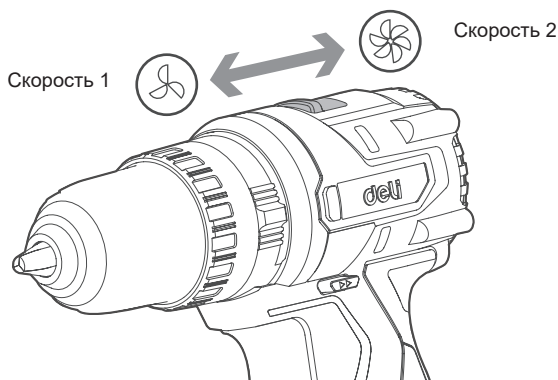
3 Переключение направления вращения

! **Внимание!** 1. Перед началом работы проверьте направление вращения инструмента. 2. Рычажок переключения направления вращения можно использовать только после полной остановки инструмента. Изменение направления вращения во время работы инструмента может привести к повреждению рычажка переключения направления вращения. 3. Когда инструмент не используется, всегда устанавливайте рычажок переключения направления вращения в нейтральное положение. Когда рычажок переключения направления вращения находится в нейтральном положении, курок переключателя не нажимается.



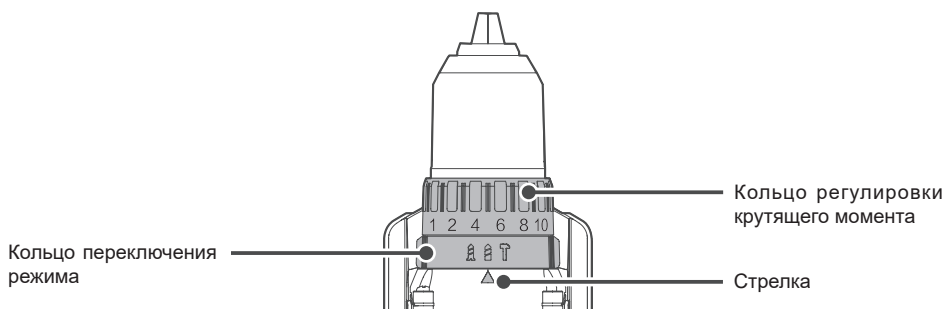
4 Переключение скорости

Обязательно полностью установите механический переключатель скорости вращения в правильное положение. Дрель-шурупверт может быть повреждена, если при ее включении механический переключатель скорости вращения находится между цифрами «1» и «2».



5 Регулировка крутящего момента


Крутящий момент можно регулировать в пределах 20 уровней путем вращения регулировочного кольца. Совместите соответствующее значение шкалы со стрелкой на корпусе инструмента. Минимальное значение крутящего момента — 1, максимальное — 20.




6 Закручивание шурупов

Осторожно! Для закручивания шурупов установите соответствующий крутящий момент с помощью регулировочного кольца.

Осторожно! Убедитесь, что бита вставлена в пазы головки винта. В противном случае возможно повреждение винта и/или биты.

Сначала поверните кольцо переключения режима работы таким образом, чтобы стрелка на корпусе инструмента указывала на . Вставьте биты в пазы головки винта и надавите на инструмент.

7 Использование в режиме дрели

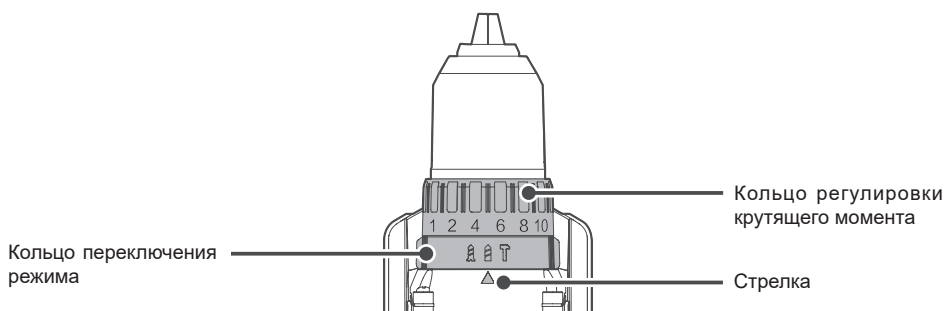
Сначала поверните регулировочное кольцо так, чтобы стрелка указывала на . После этого выполните сверление.

Сверление отверстий в дереве:


Сверло со спиралью, предназначенной для древесины, позволяет добиться наилучших результатов при сверлении отверстий в древесине. Такая спираль облегчает операцию сверления.

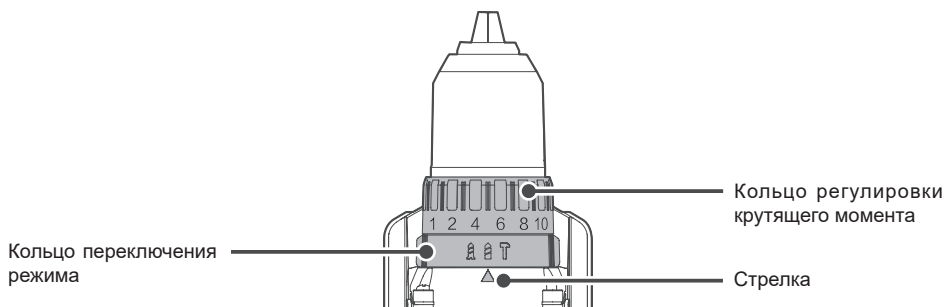
Сверление отверстий в металле:

Чтобы предотвратить соскальзывание сверла при сверлении отверстий в металле, с помощью остроконечного пробойника и молотка сделайте вмятину в металлической пластине в том месте, где необходимо просверлить отверстие. Вставьте кончик сверла во вмятину и просверлите отверстие. При сверлении отверстий в металле используйте СОЖ. Сверление без СОЖ допускается для железа и меди.



8 Использование в режиме ударной дрели

Сначала поверните кольцо переключения режима работы таким образом, чтобы стрелка на корпусе инструмента указывала на . При выполнении этой операции с помощью регулировочного кольца можно установить любое значение крутящего момента. Совместите сверло с местом сверления и нажмите курок-переключатель. Не прилагайте чрезмерное усилие к инструменту. Мягкое надавливание обеспечивает наилучший эффект. Удерживайте инструмент в правильном положении, чтобы предотвратить его отклонение от оси отверстия.



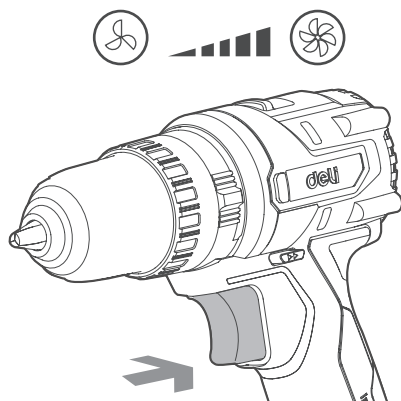
9 Включение/выключение



Внимание! Не используйте курок-переключатель для работы на низкой скорости в течение длительного времени, в противном случае возможен перегрев внутренних деталей инструмента и его повреждение.



Наденьте защитные наушники



10 Светодиодная индикация



Внимание! Убедитесь, что светодиодный индикатор включается при нажатии курка, когда рычажок переключения направления вращения находится в крайнем левом или правом положении.

Данный инструмент оснащен системой защиты инструмента/аккумулятора. Эта система может автоматически отключать питание электродвигателя для продления срока службы инструмента и аккумулятора. Если инструмент или аккумулятор находятся в следующих условиях, происходит автоматическое отключение. В некоторых случаях загорается индикатор.


- Защита от перегрузки: если при работе инструмента/аккумулятора возникает аномально высокий ток, произойдет автоматическое отключение. В этом случае выключите инструмент и прекратите работу, вызвавшую перегрузку. После этого включите инструмент для перезапуска.
- Защита от перегрева: при перегреве инструмента/аккумулятора произойдет автоматическое отключение. В этом случае перед повторным включением подождите, пока инструмент остынет.
- Защита от переразряда: данный инструмент автоматически отключается при снижении заряда батареи ниже минимального уровня. Если изделие не работает даже при нажатом курке-переключателе, извлеките аккумулятор и зарядите его.
- Срабатывание защиты по другим причинам: система защиты также срабатывает в других ситуациях, которые могут привести к повреждению инструмента, автоматически останавливая работу инструмента. Если инструмент временно или внезапно перестал работать, выполните следующие действия, чтобы устранить причину остановки.
 1. Выключите инструмент и снова его включите.
 2. Зарядите аккумулятор или замените его на новый.
 3. Подождите, пока инструмент и аккумулятор не остынут.

Устранение неисправностей

1. Инструмент не работает при нажатии курка-переключателя

Инструмент блокирует курок-переключатель, когда рычажок переключения направления вращения, расположенный над ним, находится в среднем положении. Установите рычажок в соответствующее положение, после чего нажмите кнопку, и патрон инструмента начнет вращаться.

2. Аккумуляторная дрель останавливается и не затягивает винты полностью

Установите соответствующий крутящий момент с помощью кольца регулировки крутящего момента, которое находится между корпусом и патроном. Положение 1 соответствует минимальному крутящему моменту, а положение 20 — максимальному. Режим  предназначен для сверления отверстий. Данную проблему можно решить, установив более высокий крутящий момент с помощью кольца регулировки крутящего момента.

3. При использовании одного и того же аккумулятора время работы разное

Если аккумуляторная батарея не используется в течение длительного срока, это приводит к сокращению продолжительности ее работы. Продолжительность работы увеличивается после нескольких зарядок и использований. Кроме того, энергия аккумуляторной батареи также быстро расходуется при выполнении энергоемкой работы, например, при закручивании длинных шурупов в твердую древесину. Не заряжайте аккумуляторную батарею при температуре ниже 0°C или выше 40°C, поскольку это тоже может повлиять на продолжительность ее работы.

Техническое обслуживание



Внимание! Перед выполнением любых работ по замене деталей или техническому обслуживанию инструмента сначала обязательно вытащите вилку из розетки.

Перед выполнением любых работ по замене деталей или техническому обслуживанию инструмента сначала обязательно вытащите аккумулятор.

Данный электроинструмент не требует дополнительной смазки или обслуживания. Не очищайте электроинструмент водой или химическими чистящими средствами, просто протирайте его сухой тканью. Инструмент необходимо хранить в сухом месте, а вентиляционные отверстия двигателя следует содержать в чистоте. Старайтесь не использовать его в пыльной среде.

Защита окружающей среды



Утилизация отходов

В целях защиты окружающей среды, поврежденные инструменты, принадлежности и упаковочные материалы должны быть тщательно отсортированы для упрощения их переработки. Для облегчения сортировки и переработки, все пластмассовые детали имеют маркировку с указанием материала, из которого они изготовлены.

Гарантийный талон продукта

Уважаемые пользователи!

Благодарим вас за приобретение нашей продукции. Если приобретенное вами изделие вышло из строя из-за проблем с качеством, вы можете обратиться к местному дистрибьютору или в указанные пункты ремонта, приложив счет-фактуру и гарантийные талоны.

Гарантийное уведомление:

1. От _____ (год/месяц/день) до _____ (год/месяц/день), Если выход из строя произошел при обычном использовании, наша компания предоставит бесплатную гарантию, замену деталей и другие услуги в зависимости от характера поломки.
2. Настоящий гарантийный талон и счет-фактура являются ваучером послепродажного обслуживания, предоставляемого нашей компанией клиентам. Вносить данные в талон следует только после заполнения следующей формы и скрепления официальной печатью дистрибьютора.
3. При возникновении одного из следующих случаев бесплатное гарантийное обслуживание является недействительным и взимается плата за ремонт:
 - (1) Истек срок службы изделия.
 - (2) Неисправность или повреждение вызванные несоблюдением требований руководства по эксплуатации изделия, техническому обслуживанию или неправильными условиями хранения.
 - (3) Неисправность или повреждение вызванные разборкой, ремонтом или модификацией изделия без разрешения нашей компании.
 - (4) Поломка или повреждение изделия, вызванные форс-мажорными обстоятельствами.
 - (5) Расходные материалы и принадлежности.

Настоящий талон выдан вместе с изделием. Один талон на одно изделие. Чтобы в полной мере воспользоваться правом на бесплатное гарантийное обслуживание, предоставляемое компанией, необходимо сохранить талон в целостности, утерянный талон замене не подлежит.

Дата покупки: _____ (год/месяц/день)

Сертификат продукции

Контролирующий орган:

01

Дата производства:

NINGBO DELI TOOLS CO., LTD.

№ 128 Chezhan West Road, Huangtan Town,

Ninghai County, Ningbo, Zhejiang, Chine

delitoolsglobal@nbdeli.com

www.delitoolsglobal.com

+86 574 87562689

СДЕЛАНО В КИТАЕ

Сохранено для будущего использования

Версия: 1.0

Дата: июнь 2022 г.



بطاقة ضمان المنتج

المفتش:

01

تاريخ التصنيع:

NINGBO DELI TOOLS CO., LTD

No. 128 Chezhan West Road, Huangtan Town

Ninghai County, Ningbo, Zhejiang, China

delitoolsglobal@nbdeli.com

www.delitoolsglobal.com

86+ 574 87562689

صنع في الصين

ذه الاستمارة مُخصصة للاستخدام المستقبلي

إصدار: 1.0

التاريخ: يونيو 2022



بطاقة ضمان المنتج

أعزائي المستخدمين:

شكراً لاختياركم مُنتجنا. لضمان حصولكم على أقصى استفادة ممكنة، يمكن لعمالنا الاتصال بالوكيل المحلي أو بمحطات الصيانة المحددة عند حدوث أي عيوب في المنتج بسبب مشاكل في الجودة، وذلك باستخدام فاتورة الشراء و بطاقة الضمان.

إشعار الضمان:

1. من _____ (اليوم/ الشهر/ السنة) إلى _____ (اليوم/ الشهر/ السنة)، بالضمان رضاكم، ستقدم شركتنا ضماناً مجانياً واستبدال القطع وأعمال الصيانة الأخرى عند حدوث أي عطل أثناء الاستخدام العادي، وذلك بما يتناسب مع طبيعة العطل المحدد.
2. تعد بطاقة الضمان هذه وفاتورة الشراء إثباتاً لخدمة ما بعد البيع التي تقدمها شركتنا للعملاء. يمكن تقديم طلب الحصول على بطاقة الضمان من خلال ملء النموذج التالي ووضع الختم الرسمي من قبل الموزع.
3. لن يتم تقديم خدمات الصيانة مجاناً ويتوجب دفع رسومها كاملة في حالة وجود إحدى الحالات التالية:
 - (1) تجاوز تاريخ الانتهاء؛
 - (2) عطل أو تلف المنتج نتيجة عدم اتباع متطلبات دليل المنتج أو الصيانة أو التخزين الصحيح؛
 - (3) العطل أو التلف الناتج عن تفكيك أو إصلاح أو تعديل المنتج بدون إذن من شركتنا؛
 - (4) العطل أو التلف الناتج عن القوة القاهرة؛
 - (5) الملحقات الاستهلاكية.

يتم إصدار هذه البطاقة مع المنتج. يرجى الاحتفاظ بطاقة ضمان المنتج بشكل صحيح، حيث تضمن هذه البطاقة حق الاستفادة من الخدمة المجانية للضمان التي تقدمها الشركة، علماً بأنه لا يمكن استبدالها في حالة الفقد.

تاريخ الشراء: _____ (اليوم/ الشهر/ السنة)

1. لماذا لا تعمل الآلة عند الضغط على مشغل التبديل ؟
يوجد رافعة توجيه في الجزء العلوي من المفتاح، وسيقوم الجهاز بفعل مفتاح البداية/التوقف عندما تكون هذه الرافعة في الموضع الأوسط. انقل الرافعة إلى الموضع الذي تحتاج إلى قلبه، ثم اضغط على الزر، وسيبدأ الجهاز في الدوران.
2. لماذا يتوقف حفر اليد عن الجري قبل شد البراغي ؟
يرجى ضبط حلقة ضبط عزم الدوران بين الجسم ومفتاح الربط في هذا الوقت. الموضع 1 يقابل الحد الأدنى لعزم الدوران، في حين أن الموضع 20 يقابل الحد الأقصى لعزم الدوران. الموضعتن تصميمه لحفر الثقوب. يمكن حل هذه المشكلة بعد ضبط حلقة ضبط عزم الدوران إلى ترس أعلى.
3. لماذا يختلف وقت عمل نفس حزمة البطارية؟
كما هو الحال أعلاه، إذا تركت حزمة البطارية غير مستخدمة لفترة طويلة جدًا، فسوف تقصر وقت عملها. سيتم تحسين هذا الوضع بعد عدة رسوم واستخدامات. سيتم أيضًا استهلاك طاقة حزمة البطارية بسرعة عند القيام بأعمال شاقة. سيتم أيضًا استهلاك طاقة حزمة البطارية بسرعة عند القيام بأعمال شاقة، على سبيل المثال، دفع المسمار الكبير إلى الخشب الصلب. لا تشحن حزمة البطارية في بيئات أقل من 0

الصيانة

⚠ تحذير! تأكد أولاً من سحب المقبس من مأخذ التيار الكهربائي قبل إجراء أي أعمال استبدال أو صيانة على الماكينة.

تأكد أولاً من سحب المقبس من مأخذ التيار الكهربائي قبل إجراء أي أعمال استبدال أو صيانة على الماكينة. لا تتطلب أداة الطاقة الخاصة بك أي تشحيم أو صيانة إضافية. لا تنظف أدواتك الكهربائية باستخدام الماء أو عوامل التنظيف الكيميائية، فقط امسحها بقطعة قماش جافة. يجب تخزين الأدوات في بيئة جافة وتنظيفها عند فتحات التهوية. بالإضافة إلى ذلك، حاول عدم استخدام الماكينة في بيئة متربة.

حماية البيئة

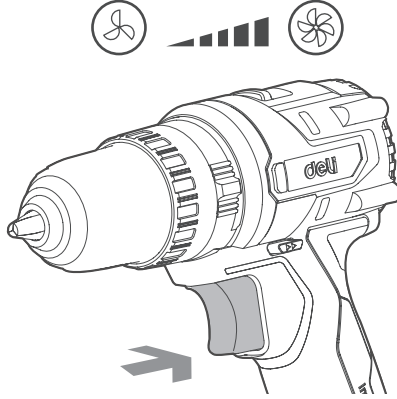
التخلص من النفايات

يجب تصنيف الآلات التالفة والملحقات ومواد التغليف بعناية لتسهيل عملية إعادة تدويرها للحفاظ على البيئة. لتسهيل عملية الفرز وإعادة التدوير، يتم وضع علامات على جميع الأجزاء البلاستيكية للإشارة إلى نوع المواد المستخدمة فيها.



⚠ تحذير! لا تستخدم مفتاح التشغيل/التوقف للعمل بسرعة منخفضة لفترة طويلة، وإلا فقد يسخن الجزء الداخلي من الجهاز ويسبب تلف الأداة.

يرجى ارتداء أغطية الأذن الواقية



10 مؤشر ليد

⚠ تحذير! يرجى التأكد من تشغيل ضوء LED عن طريق الضغط على المفتاح عندما تكون رافعة التوجيه في أقصى اليسار أو اليمين.

هذه الأداة مزودة بأداة/نظام حماية البطارية. يمكن لهذا النظام أن يقطع تلقائيًا إمدادات الطاقة للمحرك لإطالة عمر الأداة والبطارية. إذا كانت الأداة أو البطارية في الظروف التالية أثناء التشغيل، فستتوقف الأداة تلقائيًا عن العمل. سيضيء ضوء المؤشر في بعض الحالات.


الحماية من الحمل الزائد: ستتوقف الأداة تلقائيًا عن العمل عند تشغيل الأداة/البطارية بطريقة تسبب تيارًا مرتفعًا بشكل غير طبيعي. في هذه الحالة، يرجى إيقاف تشغيل الأداة وإيقاف التطبيق الذي تسبب في زيادة تحميل الأداة. ثم قم بتشغيل الأداة لإعادة التشغيل.

• الحماية من الحرارة الزائدة: ستتوقف الأداة تلقائيًا عن العمل عندما ترتفع درجة حرارة الأداة/البطارية. في هذه الحالة، يرجى انتظار تبريد الأداة قبل إعادة تشغيل الأداة.

• زيادة حماية التفريغ: تتوقف هذه الأداة تلقائيًا عن العمل عندما تنخفض طاقة البطارية المتبقية. إذا كان هذا المنتج لا يعمل حتى عند تشغيل المفتاح، فيرجى إزالة البطارية من الأداة وشحنها.

• الحماية لأسباب أخرى: نظام الحماية مناسب أيضًا للحالات الأخرى التي قد تسبب ضررًا للأداة، وبالتالي توقف الأداة تلقائيًا عن التشغيل. عندما تتوقف الأداة مؤقتًا أو في منتصف الطريق عن العمل، قم بتنفيذ جميع الخطوات التالية للقضاء على سبب الشذوذ.

1. قم بإيقاف تشغيل الأداة وإعادة تشغيلها مرة أخرى.
2. شحن البطارية أو استبدالها ببطارية قابلة لإعادة الشحن.
3. يرجى انتظار تبريد الأدوات والبطارية.

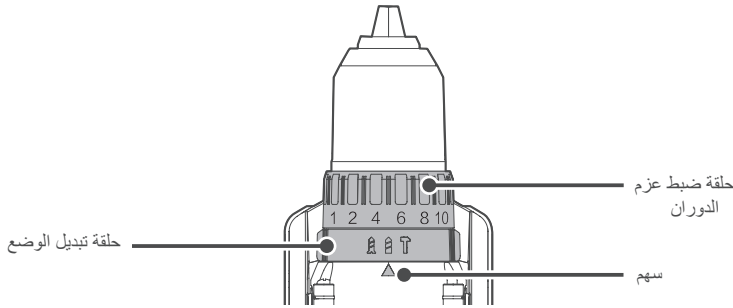
أولاً، اقلب حلقة التعديل بحيث يشير السهم نحو  نصائح لعملية الحفر.

حفر ثقوب في الخشب:


يمكن أن يحقق جزء المثقاب مع استخدام عمود السحب في الخشب أفضل النتائج عند حفر ثقوب في الخشب. عمود السحب هذا يجعل عملية الحفر أسهل.

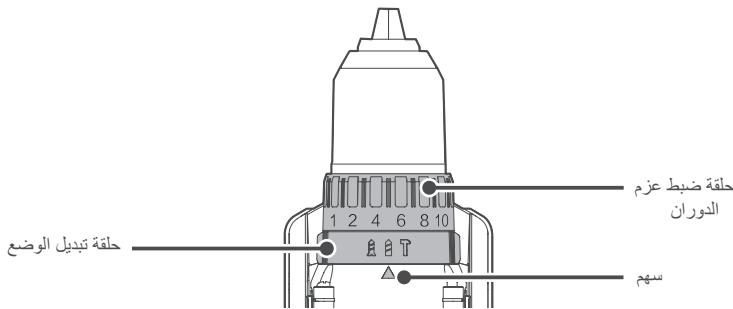
ثقوب الحفر في المعدن:

عند البدء في حفر الثقوب، من أجل منع جزء المثقاب من الانزلاق، يمكن استخدام مثقاب مدبب ومطرقة لعمل علامة على اللوحة المعدنية حيث تريد الحفر. أدخل طرف لقمة المثقاب في الانحدار وأبدأ الحفر. يرجى استخدام زيت القطع عند حفر ثقوب في المعدن. يجب أن يتم الحفر الجاف عند حفر ثقوب في مادة الحديد والنحاس.



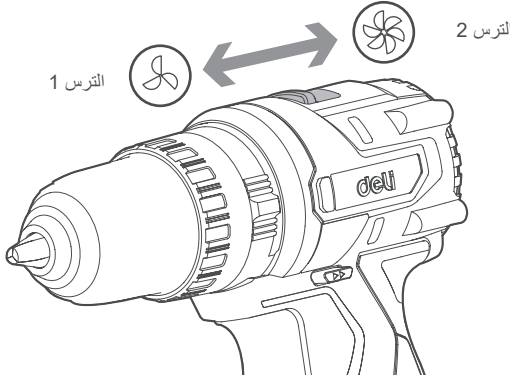
8 نصائح لعملية الحفر

أولاً، قم بتدوير حلقة تبديل وضع الحركة بحيث يشير السهم الموجود على جسم الجهاز نحو . يمكن محاذاة حلقة الضبط مع أي مستوى لعزم دوران عند إجراء هذه العملية. محاذاة لقمة الحفر بحيث تأخذ وضع الحفر، وبعدها سحب زناد المفتاح. لا تستخدم الأداة عند الإفراط في استخدامها. يمنحك الضغط برفق أفضل نتيجة. حافظ على وضع الأداة الصحيح لمنع انحراف الأداة عن موضع الحفرة.



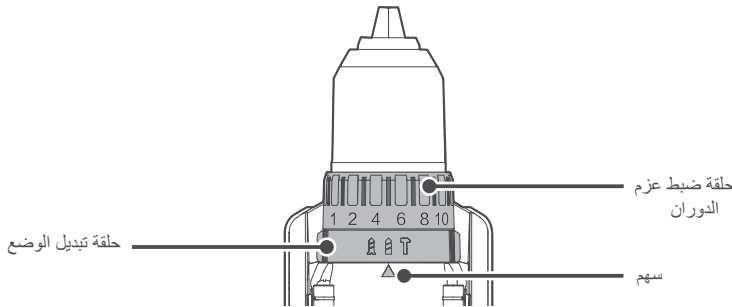
4 تحول السرعة

تأكد من ضبط زر تغيير السرعة الميكانيكي بالكامل على الموضع الصحيح. قد يتضرر مقاب الطاقة إذا تم تشغيله عندما يكون زر تغيير السرعة الميكانيكي في منتصف الترس «1» و «2».




5 تعديل عزم الدوران

يمكن ضبط عزم الدوران المشدود ما بين 20 مستوى عن طريق تدوير حلقة الضبط. قم بمحاذاة المقياس مع السهم الموجود على جسم الأداة. يكون عزم الدوران المشدود عند ضبطه على 1، ويكون عزم الشد أقصى عندما يتم ضبطه على 20.



6 ربط المسمار

تحذير: اضغط حلقة التعديل على مستوى عزم الدوران المناسب للتشغيل.
تحذير: تأكد من إدخال مفك البراغي مباشرة في طرف لقمة المفك، وإلا فقد يتلف المسامير و/أو قطعة مفك البراغي.
أولاً، قم بتدوير حلقة تبديل وضع الحركة بحيث يشير السهم الموجود على جسم الجهاز نحو . ضع طرف مفك البراغي في رأس المسامير واضغط على الأداة.

ملاحظة: اقرأ دليل التعليمات قبل التشغيل.

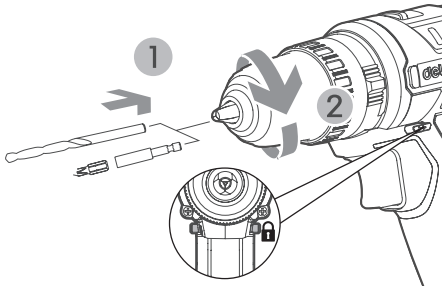
1 قم بتثبيت/إزالة حزمة البطارية

عند تثبيت حزمة البطارية أو إزالتها، يرجى التأكد من أن الجهاز في حالة إغلاق ؛
عند إزالة حزمة البطارية، اضغط على الزر فوق حزمة البطارية أثناء سحبها من الآداة؛
عند تثبيت حزمة البطارية، قم بمحاذاة القطب الموجود على حزمة البطارية مع الأخدود الموجود على سكن الماكينة، ثم قم بتزليقه في مكانه. أدخله بالكامل في مكانه حتى يتم قفل حزمة البطارية والنقر عليه. إذا لم يتم تثبيتها بشكل صحيح، فقد يتسبب ذلك في انفصال حزمة البطارية عن الآداة والتسبب في إصابة شخصية.

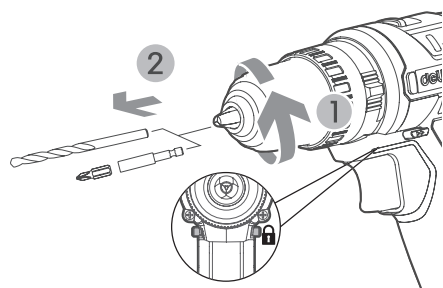
2 احذف/ادخل لقمة الحفر

⚠ تحذير! قبل استبدال الملحقات، تأكد من إيقاف تشغيل مفتاح الطاقة وإزالة حزمة البطارية ؛ حاول وضع لقمة المثقاب في الجزء الداخلي من الطرف والتأكد من تثبيت لقمة المثقاب ؛ قبل بدء تشغيل الآداة، تأكد من عدم وجود مخاطر تتعلق بالسلامة على مفتاح الربط ، فقد يتسبب تلف أو رخاوة مفتاح الربط في إصابة شخصية.

يرجى ارتداء القفازات الواقية عند إدخال القابض

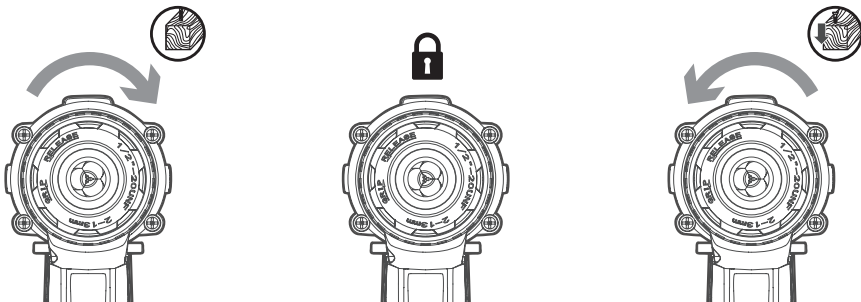


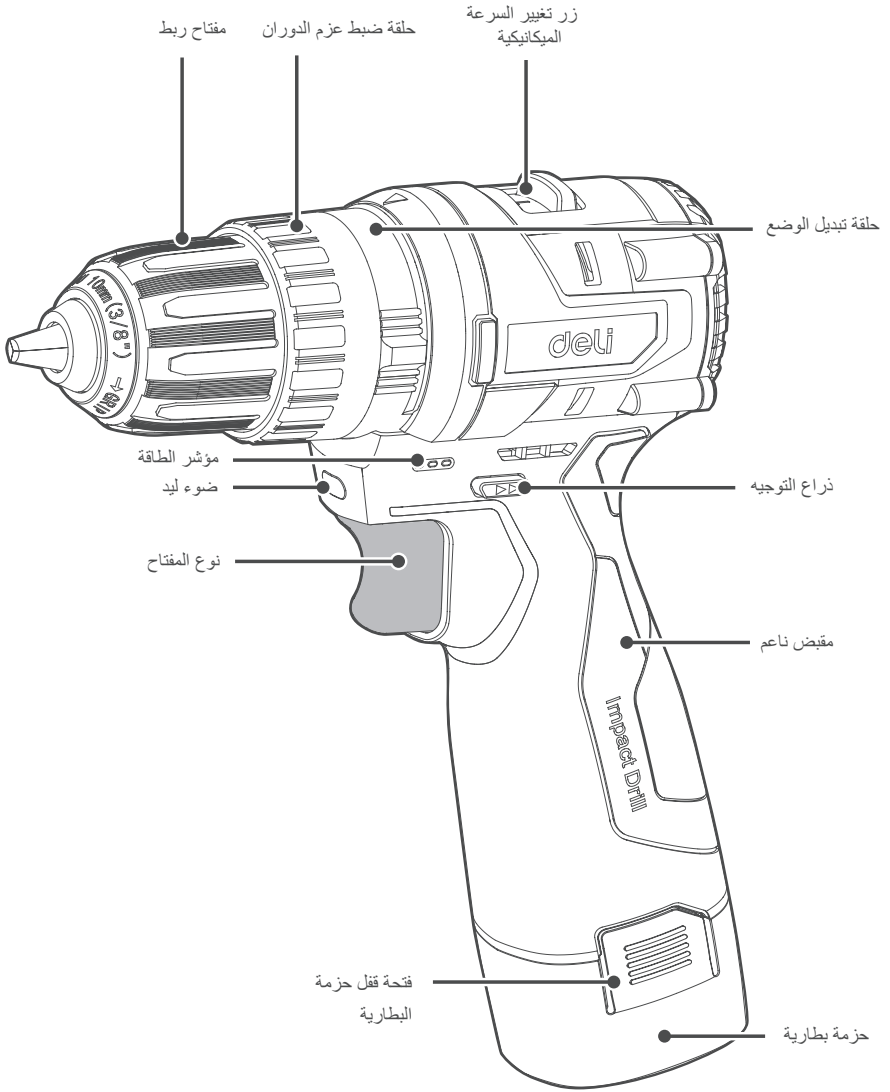
يرجى ارتداء القفازات الواقية عند إزالة القابض



3 مقبض تعديل الاتجاه الأمامي والخلفي

⚠ تحذير! 1. يرجى التأكد من اتجاه الدوران للآداة قبل تشغيلها؛ 2. لا يمكن استخدام رافعة التوجيه إلا عندما تتوقف الآداة تماما عن الدوران. يمكن أن يتسبب في تلف رافعة التوجيه إذا تم تغيير اتجاه الدوران أثناء تشغيل الآداة ؛ 3. عندما لا يتم استخدام الآداة، ضع دائما رافعة التوجيه في الوضع الطبيعي. عندما تكون رافعة التوجيه في الوضع الطبيعي، لا يمكن الضغط على المفتاح.





(A). عدم الاستقرار عندما $K=5$ ديسيبل.
يرجى ارتداء واقبات السمع!

قيم الاهتزاز الكلية ah (مجموع متجه ثلاثي) وقيمة K المجهولة يتم تحديدها وفقاً لـ EN 60745-2-22:

الحفر في المواد المعدنية $ah = 4,5 \text{ m/s}^2$ ، $K = 1,5$ تم قياس مستوى الاهتزاز وقيمة انبعاث الضوضاء الواردة في هذه التعليمات وفقاً لإجراء قياس موحد ويمكن استخدامها لمقارنة أدوات الطاقة. كما يمكن استخدامها في تقدير أولي لانبعاثات الاهتزازات والضوضاء.

يمثل مستوى الاهتزاز المعدل وقيمة انبعاث الضوضاء التطبيقات الرئيسية لأداة الطاقة. ومع ذلك، إذا تم استخدام أداة الطاقة لتطبيقات أخرى، مع أدوات تطبيق مختلفة أو تم صيانتها بشكل سيئ، فقد يختلف مستوى الاهتزاز والضوضاء بشكل كبير خلال فترة العمل الإجمالية.

لتقدير انبعاثات الاهتزازات والضوضاء بدقة، يجب أيضاً مراعاة الأوقات التي يتم فيها إيقاف تشغيل الأداة أو وقت تشغيلها ولكن لا يتم استخدامها بالفعل.

قد يقلل هذا بشكل كبير من انبعاثات الاهتزازات والضوضاء خلال فترة العمل الإجمالية. تنفيذ تدابير أمان إضافية لحماية المشغل من آثار الاهتزاز، مثل خدمة أداة الطاقة وأدوات التطبيق، والحفاظ على تدفئة أيديهم، وتنظيم سير العمل بشكل صحيح.

3. عندما لا تكون حزمة البطارية قيد الاستخدام، ابعدها عن الأشياء المعدنية الأخرى، مثل المشابك الورقية أو العملات المعدنية أو المفاتيح أو الأظافر أو البراغى أو غيرها من الأشياء المعدنية الصغيرة، التي يمكنها الاتصال من محطة إلى أخرى. قد يتسبب تقصير محطات البطارية معاً في حدوث حروق أو حريق.

4. يجوز إخراج السائل من البطارية في ظروف تصفية؛ تجنب الاتصال. إذا حدث الاتصال عن طريق الخطأ، اغسله بالماء إذا لامس السائل العين، فاطلب المساعدة الطبية أيضاً. قد يسبب السائل القادم من البطارية تهيجاً أو حرقاً.

5. لا تستخدم حزمة بطارية أو أداة تالفة أو معجلة. قد تظهر البطاريات التالفة أو المعجلة سلوكاً لا يمكن التنبؤ به مما يؤدي إلى حريق أو انفجار أو خطر الإصابة.

6. لا تعرض حزمة بطارية أو أداة للحريق أو درجة حرارة مفرطة. قد يتسبب التعرض للحريق أو درجة الحرارة التي تزيد عن 130 درجة مئوية في حدوث انفجار.

7. اتبع جميع تعليمات الشحن ولا تشحن حزمة البطارية أو الأداة خارج نطاق درجة الحرارة المحدد في التعليمات. قد يؤدي الشحن بشكل غير صحيح أو في درجات حرارة خارج النطاق المحدد إلى إتلاف البطارية وزيادة خطر نشوب حريق.

الخدمة

1. لا تقم بصيانة الأداة الكهربائية التي لديك إلا بواسطة فني إصلاح مؤهل لاستخدام قطع غير متطابقة. وذلك للحفاظ على سلامة الأداة الكهربائية.
2. لا تقدم أبداً حزم البطاريات التالفة. يجب أن يتم توفير خدمة عيوب البطاريات من قبل الشركة المصنعة أو مزودي الخدمة المعتمدين فقط.

تعليمات السلامة الإضافية للاستخدام الآمن للمنتج

تعليمات السلامة لجميع أعمال التشغيل

1. ارتداء واقبات الأذن. قد يتسبب التعرض للضوء في فقدان السمع.
2. أحكم ربط الجهاز كما ينبغي قبل استخدامه. يُولد هذا الجهاز عزم دوران عالٍ، لذا عند عدم إحكام ربطه كما ينبغي أثناء التشغيل فإنه يتسبب في فقدان السيطرة مما ينتج عن وقوع إصابات شخصية.
3. امسك الأداة الكهربائية بمقابض ذات أسطح عازلة فقط عند التشغيل، حيث توجد إمكانات مساس ملحوظ بالأسلاك المخفية أو السلك المتصل بها. قد يؤدي قطع الملحقات الملامسة للأسلاك "المكهربة" إلى جعل الأجزاء المعدنية المكشوفة من أداة الطاقة "المكهربة" وقد يصيب عامل التشغيل بصدمة كهربائية.

إرشادات السلامة المتبعة عند استخدام لقم الحفر مع المطارق الدوارة

1. لا تعمل أبداً بسرعة أعلى من تصنيف السرعة القصوى لقمه المثقاب. عند الحفر على سرعة عالية، تلتوي اللقمة إذا دارت بشكل حر دون ملامستها لسطح العمل وقد ينتج عن ذلك وقوع إصابات شخصية.
2. ابدأ دائماً بالحفر على سرعة منخفضة بحيث يكون طرف اللقمة ملامساً لسطح العمل. عند الحفر على سرعة عالية، تلتوي اللقمة إذا دارت بشكل حر دون ملامستها لسطح العمل وقد ينتج عن ذلك وقوع إصابات شخصية.
3. اضبط قليلاً في خط مباشر باستخدام اللقمة وتجنب الضغط الشديد. قد تلتوي اللقمة مما ينتج عن ذلك كسرها أو فقدان السيطرة على الجهاز مما يؤدي إلى وقوع إصابات شخصية.

CE معلومات عن الضوضاء / الاهتزازات

قيم انبعاثات الضوضاء المحددة وفقاً لـ

EN 62841-2-1.

عادةً ما يكون مستوى الضوضاء الموزون لأداة الطاقة هو: مستوى ضغط الصوت 83 ديسيبل (A)؛ مستوى الطاقة الصوتية 94 ديسيبل

تحذيرات السلامة العامة للأداة الكهربائية

4. إزالة أي مفتاح ضبط أو مفتاح ربط قبل تشغيل الأداة الكهربائية. حيث إنه من المتوقع أن يتسبب ترك هذا المفتاح معلقاً بالجزء الدوار بالآلة في وقوع إصابات شخصية.
5. لا تقرب بشدة من الجهاز. واحرص على ثبات موطئ القدم والتوازن في جميع الأوقات. فبذلك يمكنك التحكم في الأداة الكهربائية بشكل أفضل في المواقف غير المتوقعة.
6. ارتداء الملابس اللازمة. لا ترتدي ملابس فضفاضة أو مجوهرات. احرص على إبعاد شعرك وملابسك عن الأجزاء المتحركة. يمكن للملابس الفضفاضة أو المجوهرات أو الشعر الطويل أن يعلق في الأجزاء المتحركة.
7. في حال توفير أجهزة لتوصيل مرافق شفط الغبار وتجميعه، فتأكد من توصيلها واستخدامها بشكل صحيح. استخدم أنظمة تجميع الغبار من شأنه الحد من المخاطر المرتبطة بالآتية.
8. لا تدع المعرفة المكتسبة من الاستخدام المتكرر للأدوات توهي لك بالشعور بالرضا وتجاهل مبادئ سلامة الأداة. الإهمال قد يتسبب في إصابة خطيرة في غضة عين.

سلامة منطقة العمل

1. حافظ على مساحة العمل نظيفة وجيدة الإضاءة. المناطق الفوضوية أو المظلمة قد تسبب في وقوع الحوادث.
2. لا تقم بتشغيل الأدوات الكهربائية في الأجواء المتفجرة، مثل وجود سوائل قابلة للاشتعال أو غازات أو غبار. ينتج عن الأدوات الكهربائية شرارات قد تتسبب في اشتعال الغبار أو الأبخرة.
3. احرص على إبقاء الأطفال والمارة بعيداً أثناء تشغيل الأداة الكهربائية. قد تفقد السيطرة نتيجة التشتت.

السلامة الكهربائية

1. يجب أن تتناسب مقابس الآلة الكهربائية مع المنفذ. ممنوع تماماً تعديل المقابس بأي شكل من الأشكال. لا تستخدم أي مقابس تحويل مع الأداة الكهربائية المورضة. المقابس غير المحولة والمخارج الكهربائية المطابقة تقلل من خطر التعرض للصعق الكهربائي.
2. تجنب ملامسة جسدك للأسطح المورضة، مثل الأتياب والمشعات والمواقف والمثاليات. يزيد أذى خطر التعرض للصعق الكهربائي في حالة تاريض جسدك.
3. لا تعرض الأداة الكهربائية للمطر أو الظروف الجوية الرطبة. دخول المياه إلى الأداة الكهربائية يزيد من خطر التعرض للصعق الكهربائي.
4. لا تسع استعمال السلك الكهربائي. ممنوع تماماً حمل الأداة الكهربائية أو سحبها أو فصلها باستخدام السلك. ابعث السلك عن الحرارة أو الشوم أو الحواف الحادة أو الأجزاء المتحركة. الأسلاك التالفة أو المشابكية تزيد من خطر التعرض للصعق الكهربائي.
5. يرجى استخدام كابل إطالة مناسب للاستخدام الخارجي، عند تشغيل الآلة الكهربائية في الهواء الطلق. استخدم سلك مناسب للاستخدام في المناطق الخارجية يقلل من خطر التعرض للصعق الكهربائي.
6. في حال أصبح تشغيل الآلة في مكان رطب أمراً لا مفر منه، استخدم وحدة إمداد كهربائية محمية بالتيار المتبقي (RCD). استخدم قاطع دائرة التيار المتبقي (RCD) يقلل من خطر التعرض للصعق الكهربائي.

السلامة الشخصية

1. احتسرس وانتبه لما تقوم به واستخدم الحس السليم عند تشغيلك للأداة الكهربائية. لا تستخدم الأداة الكهربائية إذا كنت مرهقاً أو تحت تأثير العقاقير أو الكحوليات أو الأدوية. قد تؤدي الغفلة للحظة واحدة أثناء تشغيل الأدوات الكهربائية إلى تعرض الأشخاص لإصابة خطيرة.
2. استخدم معدات الوقاية الشخصية. احرص دائماً على ارتداء نظارات حماية العين. معدات الوقاية مثل كامسة الغبار أو أذنية السلامة غير القابلة للانزلاق أو القبتعة الصلبة أو واقبات السمع مستقل من حدوث الإصابات الشخصية.
3. الحيلولة دون بدء التشغيل غير المقصود. تأكد من أن المفتاح في وضع إيقاف التشغيل قبل توصيل المقابس بمصدر الطاقة و / أو تركيب حزمة البطارية، أو عند التقاط أو حمل الأداة. حمل الأدوات الكهربائية وإصبعك على المفتاح أو أدوات الإمداد الكهربائية التي تحتوي على مفتاح قد يتسبب في وقوع حوادث.

استخدام الأدوات الكهربائية والعناية بها

1. لا تجبر الأداة الكهربائية على القيام بمهام لم تصمم لتنفيذها. استخدم أداة الكهربائية المناسبة للمهمة. استنجز الأداة الكهربائية العمل بشكل أفضل وأكثر أمناً بالمعدل الذي صممت من أجله.
2. لا تستخدم الأداة الكهربائية إذا كان المفتاح لا يقوم بتشغيلها وإيقاف تشغيلها. أي أداة كهربائية لا يمكن التحكم فيها باستخدام المفتاح تعتبر أداة خطيرة ويلزم إصلاحها.
3. أفضل القابيس عن مصدر الطاقة و / أو اخرج حزمة البطارية من الأداة الكهربائية قبل إجراء أي تعديلات أو تغيير للملحقات أو عند تخزين الأدوات الكهربائية. حيث تعمل مثل هذه الإجراءات الوقائية على الحد من خطر التشغيل المفاجئ للآلة.
4. تخزين الأدوات الكهربائية المعطلة بعيداً عن متناول الأطفال مع عدم السماح لأي شخص ليس على دراية بكيفية استخدامها أو بتعليمات تشغيلها. تمثل الأدوات الكهربائية خطورة عندما تقع في أيدي غير المدربين على استعمالها.
5. صيانة الأداة الكهربائية وملحقاتها. تحقق من عدم وجود أي عتق أو تعارض بين الأجزاء المتحركة. وعدم وجود أي كسر في القطع وأي حالة أضرار قد تؤثر على تشغيل الأدوات الكهربائية. في حال تعرض الأداة الكهربائية للتلف، يجب إصلاحها قبل الاستخدام. حيث يمكن أن تتسبب الأدوات الكهربائية التي لم يتم صيانتها جيداً في وقوع كثير من الحوادث.
6. الحفاظ على أدوات القطع حادة ونظيفة. أدوات القطع ذات الحواف الحادة التي يتم صيانتها بشكل صحيح تكون أقل عرضة للتلف وأسهل في التحكم بها.
7. استخدام الأداة الكهربائية والملحقات والريش وما إلى ذلك وفقاً لهذه التعليمات، مع مراعاة ظروف العمل والأعمال التي يتعين القيام بها. استخدام الأداة الكهربائية في تنفيذ مهام مختلفة عما صممت من أجله قد يتسبب عنه أوضاع خطيرة.
8. الحفاظ على المقابض وأسطح الإمساك جافة ونظيفة وخالية من الزيوت والشحوم. لا يُسمح باستخدام المقابض الزلقة وأسطح الإمساك من أجل التعامل الآمن مع الأداة والتحكم فيها في المواقف غير المتوقعة.

استخدام الأدوات الكهربائية والعناية بها

1. إعادة الشحن فقط بالشاحن المحدث من قبل الشركة المصنعة. قد يؤدي استخدام الشاحن المناسب لنوع واحد من حزمة البطارية إلى خطر نشوب حريق عند استخدامه مع حزمة بطارية أخرى.
2. استخدم أدوات الطاقة فقط مع حزم بطاريات محددة على وجه التحديد. قد يؤدي استخدام أي عبات بطارية أخرى إلى خطر الإصابة والحريق.

DE-CZ16-2D2	DE-CZ16-1D2	الطرز
16V ===		القيمة المُقدّرة للجهد الكهربى
55N.m	45N.m	السعة القصوى لقامط لقمّة/ بنّطة المتقاب
0-450/0-1800/min		السرعة دون تحميل
0-7650/0-30600bpm		عدد الضربات
10mm		السعة القصوى لقامط لقمّة/ بنّطة المتقاب
25mm		المنتجات الخشبية
10mm		فولاذ
0.76kg	0.75kg	وزن الماكينة

⚠ تحذير! يرجى استخدام حزم البطاريات وأجهزة الشحن المدرجة فقط. قد يؤدي استخدام أي عبوات بطارية أخرى إلى خطر الإصابة والحريق.

'نصح باختيار الملحقات من مكان الشراء الأصلي للأداة الكهربائية. يُرجى اختيار الملحقات الصحيحة التي تحتاجها لإنجاز عملك. يُرجى الاطلاع على حزمة الملحقات لتحقيق الاستخدام الأفضل للجهاز والمساعدة.

2.0 أمبير في الساعة	DE-DC16A2	حزمة بطارية
2.5 أمبير في الساعة	DE-DC16A3	
1.5A شحنة واحدة	DE-CD16A1E	شاحن

الرموز

لا تضع هذه الأداة الكهربائية في الماء 	يرجى ارتداء القفازات الواقية 	علامة التحذير 	اقرأ دليل التعليمات 
لا تضع هذه الأداة الكهربائية في النار 	قفل 	يرجى ارتداء النظارات الواقية 	يرجى ارتداء أغطية الأذن الواقية 
مقاب صدم 	سرعة منخفضة 	سرعة عالية 	يرجى ارتداء أغطية الوقاية 
تحتوي البطاريات على أيون الليثيوم. لحماية البيئة، يجب فرز البطاريات المهملة وإعادة تدويرها، ولا ينبغي إلغاؤها في سلة المهملات. 	فتحة الثقب 	فتحة الثقب 	مفك البراغي 
		مفك البراغي 	مفك البراغي 

